

auto electrical parts

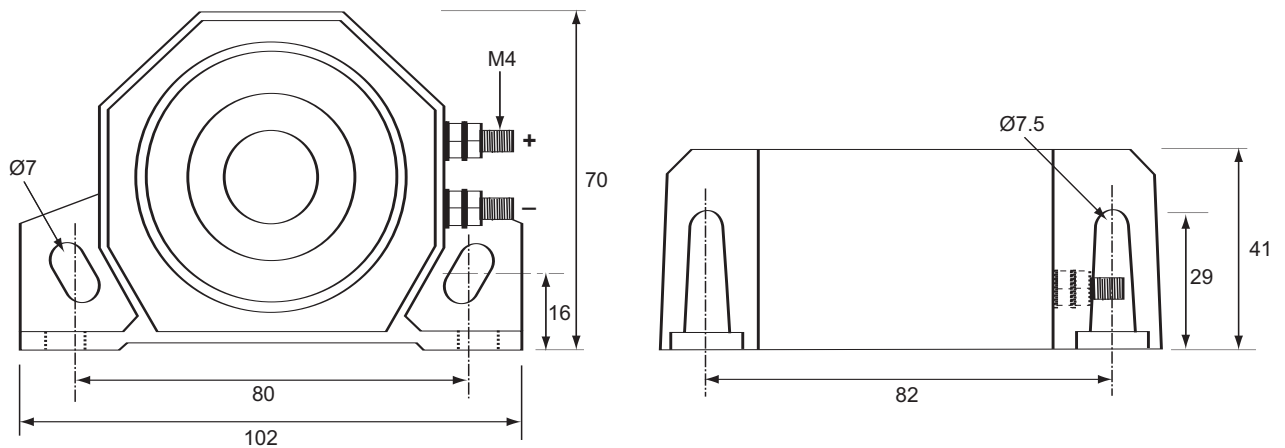
Technical Information Sheet

Part No. 0-564-02

Back-up alarm, 12 - 48 volt, 97 dB(A) at 1200Hz. 60 pulses per minute. Two position fixing bracket. CE approved.



Technical Drawing (not to scale)



Specification

Type	Back-up alarm
Voltage	12 - 48 volt DC
Current draw	80mA
Sound output	97dB(A)
Frequency	1200Hz
Pulse rate	60 per minute
Stud terminals	M4
Dimensions	l 102 x w 41 x h 70mm
Weight	290g
Approvals	CE
Protection	Protected against water spray

The information contained in this document is correct to the best of our knowledge at the time of printing. However, specifications may change at any time without notice.