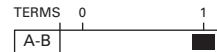


auto electrical parts

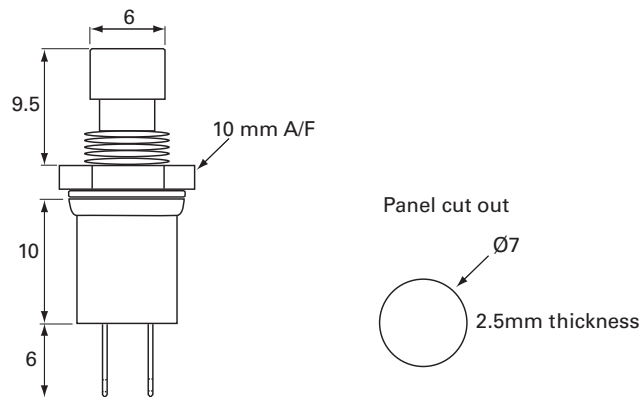
Technical Information Sheet

Part No. 0-485-92

Push on/push off, single pole miniature switch, with plastic button and 2.0mm solder tags. 7mm panel hole. 0.5 amp at 30 volt dc rating.



Technical Drawing (not to scale)



Specification

Type	Push on/push off, single pole miniature switch
DC current rating @ 30 volts	0.5 amp
Terminals	2 x 0.5mm solder tags
Terminal material	Brass
Panel cut out	7.0mm dia
Panel thickness	2.5mm max
Dimensions	See diagram
Weight	5g

The information contained in this document is correct to the best of our knowledge at the time of printing. However, specifications may change at any time without notice.