

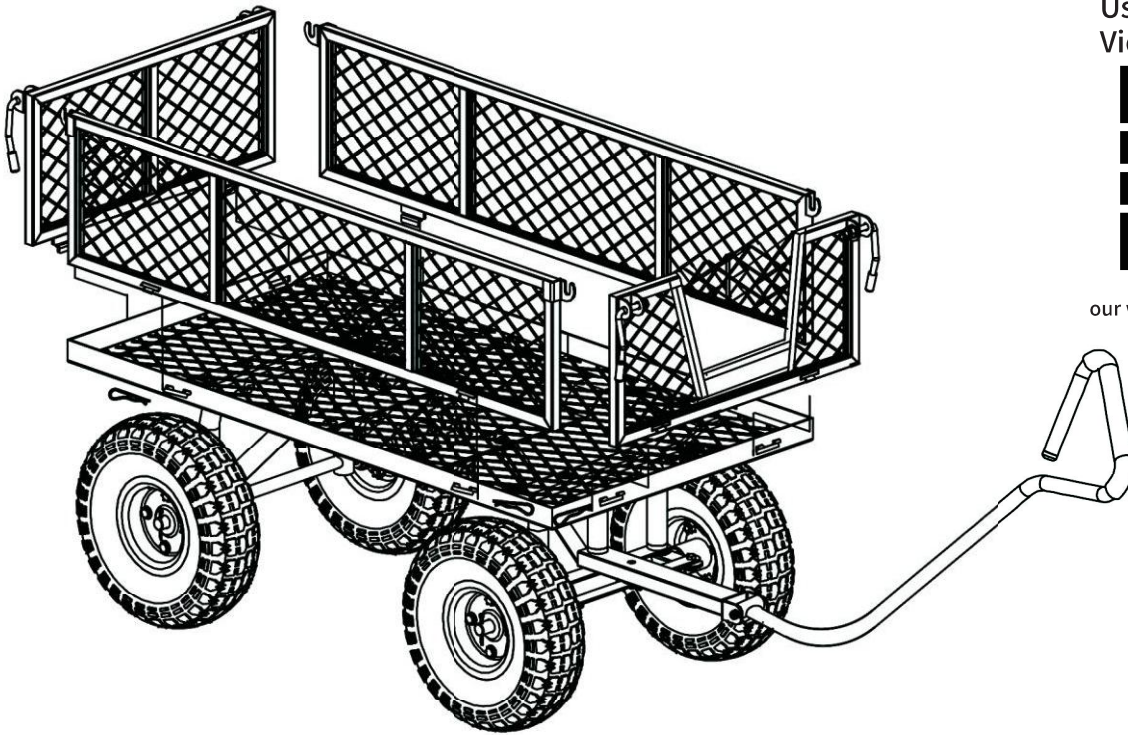
BILT HARD

MODEL # GCC-1202

Using tips:
Video on YouTube



our website: bilthardusa.com



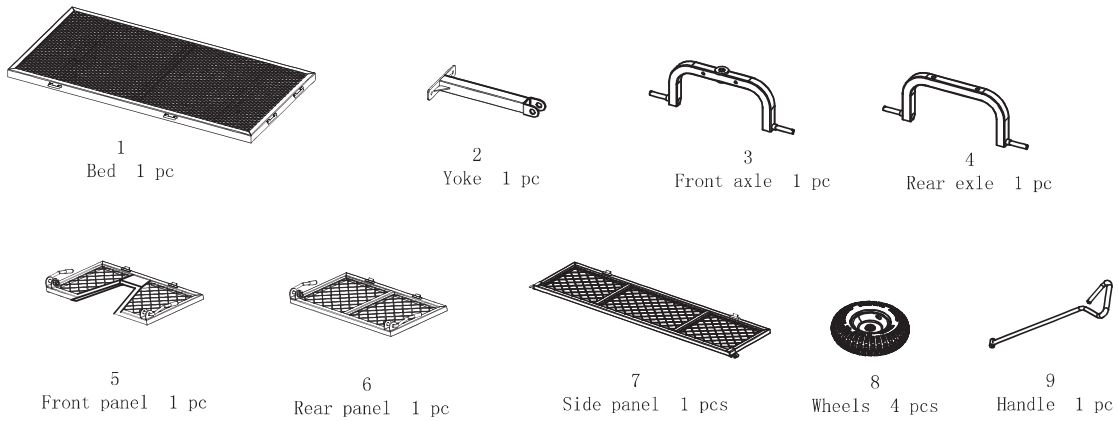
IMPORTANT SAFETY INSTRUCTIONS

1. Read, understand and follow ALL instructions before using this product.
2. Do not exceed the overall maximum load capacity of 880 lbs.
The weight rating is based on an evenly distributed load.
3. Do not allow children to use the cart without supervision. This cart is not a toy.
4. Do not use this cart for transporting passengers.
5. This cart is not intended for highway use.
6. Do not exceed 5 mph.
7. Distribute the load evenly over the surface of the tray.
8. Do not load items on the top edges of the tray.
9. If any parts become damaged, broken or misplaced, do not use the cart until replacement parts have been obtained.
10. Do not use the cart on surfaces or for transporting objects that can cause damage to the tires.
11. It is recommended that the cart be inspected for damage before each use.
12. KEEP THESE INSTRUCTIONS FOR FURTHER REFERENCE.

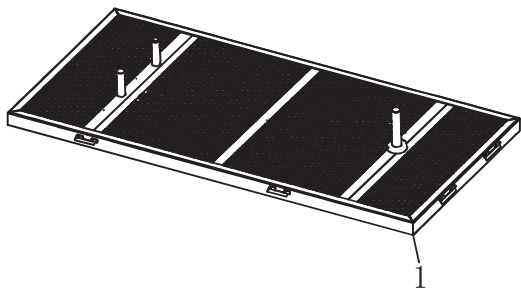
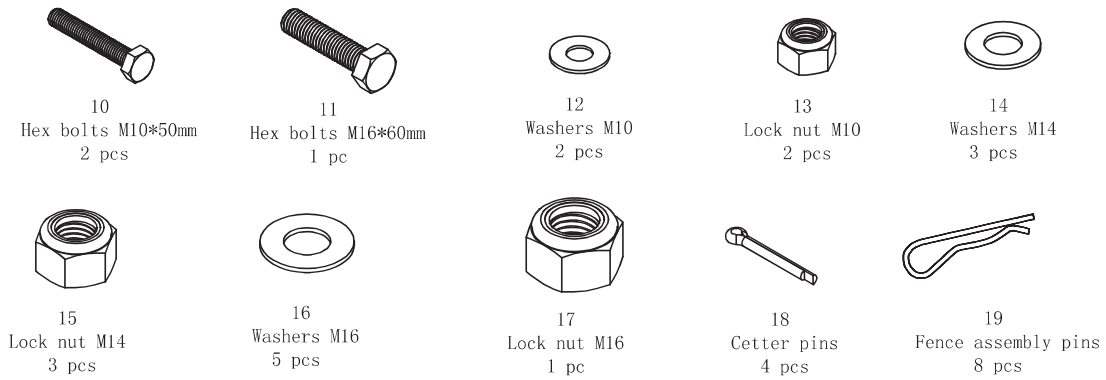
INSTRUCCIONES DE SEGURIDAD IMPORTANTES

1. Lee, entiende y sigue TODAS las instrucciones antes de usar este producto.
2. No sobrepases el límite máximo de carga total de 880lbs.
La clasificación de peso está basada en una carga distribuidas uniformemente.
3. No permitas que los niños usen el carrito sin supervisión. Este carrito no es un juguete.
4. No lo uses para transportar pasajeros.
5. Este carrito no está diseñado para usar en autopistas.
6. No sobrepases las 5 mph.
7. Distribuye la carga de manera uniforme sobre la superficie de la bandeja.
8. No cargues artículos en los bordes superiores de la bandeja.
9. Si alguna de las piezas se daña, rompe o pierde, no uses el carrito hasta obtener la pieza de repuesto.
10. No uses el carrito sobre superficies o para transportar objetos que puedan causar daños a los neumáticos.
11. Se recomienda revisar el carrito antes de cada uso para detectar cualquier daño.
12. GUARDA ESTAS INSTRUCCIONES PARA FUTURAS CONSULTAS.

Parts

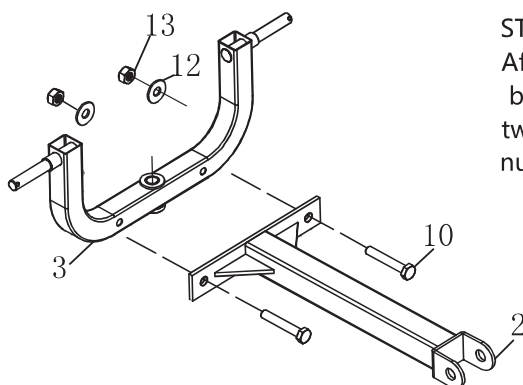


Hard ware



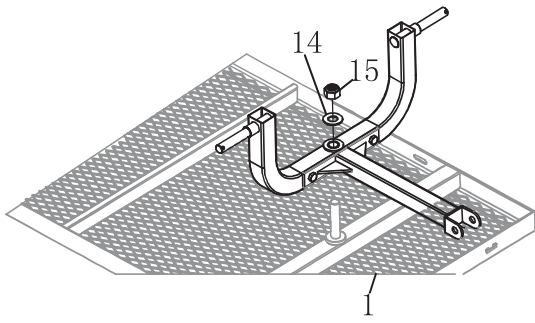
STEP 1: PREPARE ASSEMBLY

Turn the cart bed (1) upside down.
Use the cardboard from the carton to keep from scratching or damaging the finish.

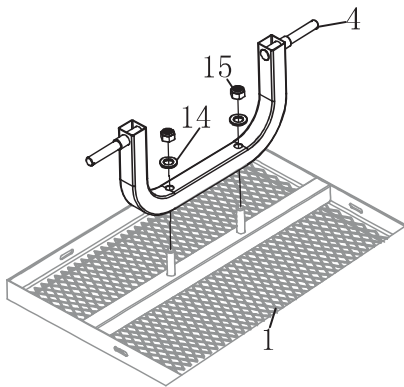


STEP 2: FRONT AXLE ASSEMBLY

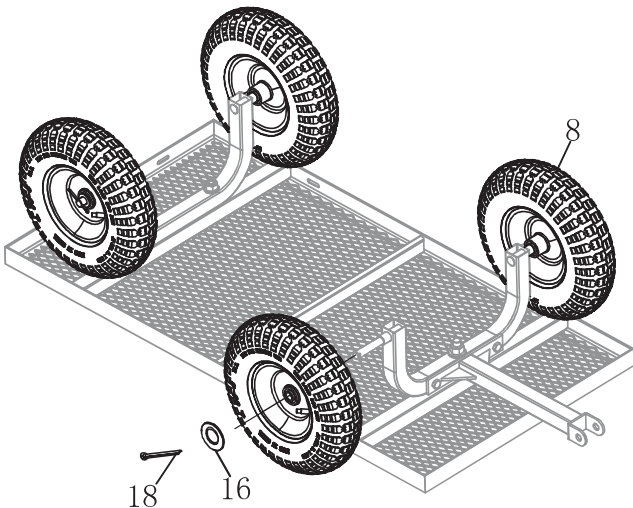
Affix the yoke (2) to the front axle (3) by using two hex bolts M10 x 50 (10), two washers M10 (12), and two lock nuts M10 (13).



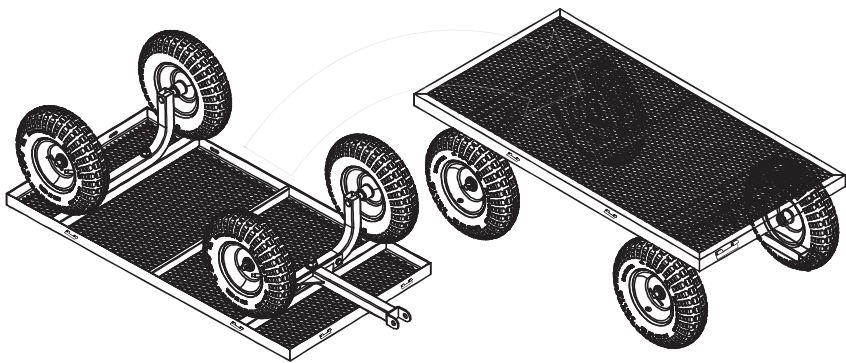
STEP 3: FRONT AXLE TO BED ASSEMBLY
 Affix the front axle assembly to the bed. pre-assembled pivot bolt. Next slide the front axle assembly onto the pivot bolt. Finally, secure by using a washer M14 (14), and a lock nut M14 (15). Do not over-tighten the lock nut M14 (15).



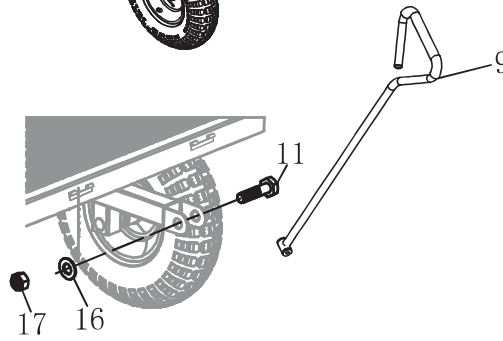
STEP 4: REAR AXLE ASSEMBLY
 Affix the rear axle (4) to the bed (1). First, slide the rear axle (4) onto the pre-assembled pivot bolts. Next, secure by using two washers M14 (14), and two lock nuts M14 (15).



STEP 5: WHEEL ASSEMBLY
 First, attach the wheels (8) by first placing the wheels (8) onto each axle. Next, place four washers M16 (16) onto the ends of the axles. Finally, insert the four cotter pins (18) into the hole at each end of the axles and bend back the ends of the cotter pins with pliers to keep them in place.



STEP 6: Turn the cart upright. Affix the handie (9) to the yoke (2) by using the hex bolt M16 x 60 (11), washer M16 (16), and lock nut M16 (17). Do not over-tighten.



STEP 7: PANEL ASSEMBLY

Affix the front panel (5), rear panel (6), and two side panels (7) onto the bed. Secure by using the six fence assembly pins (19). Latch the front panel (5) and back panel (6) to the side panels (7) using the lock handles.

