

# **BILT HARD**

MODEL # GCB-1102



Using tips:  
Video on YouTube



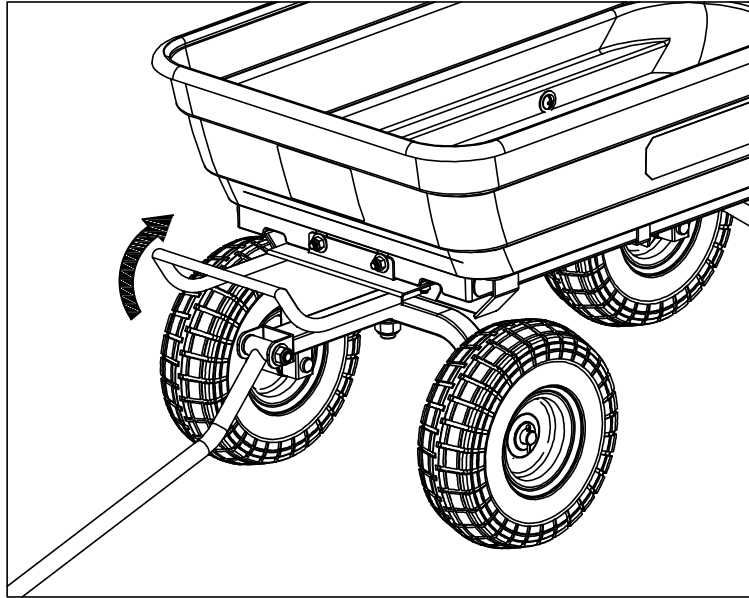
our website: [bilthardusa.com](http://bilthardusa.com)

## **IMPORTANT SAFETY INSTRUCTIONS**

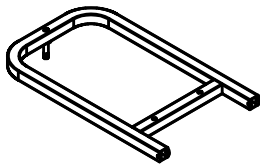
1. Read, understand and follow ALL instructions before using this product.
2. Do not exceed the overall maximum load capacity of 1200lbs. or the maximum dumping load capacity of 600lbs. The weight rating is based on an evenly distributed load.
3. Do not allow children to use the cart without supervision. This cart is not a toy.
4. Do not use this cart for transporting passengers.
5. This cart is not intended for highway use.
6. Do not exceed 5 mph.
7. Distribute the load evenly over the surface of the tray.
8. Do not load items on the top edges of the tray.
9. If any parts become damaged, broken or misplaced, do not use the cart until replacement parts have been obtained.
10. Do not use the cart on surfaces or for transporting objects that can cause damage to the tires.
11. It is recommended that the cart be inspected for damage before each use.
12. KEEP THESE INSTRUCTIONS FOR FURTHER REFERENCE.

## **INSTRUCCIONES DE SEGURIDAD IMPORTANTES**

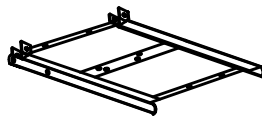
1. Lee, entiende y sigue TODAS las instrucciones antes de usar este producto.
2. No sobrepases el límite máximo de carga total de 1200 lbs o la capacidad máxima de carga de volteo de 600 lbs. La clasificación de peso está basada en una carga distribuida uniformemente.
3. No permitas que los niños usen el carrito sin supervisión. Este carrito no es un juguete.
4. No lo uses para transportar pasajeros.
5. Este carrito no está diseñado para usar en autopistas.
6. No sobrepases las 5 mph.
7. Distribuye la carga de manera uniforme sobre la superficie de la bandeja.
8. No cargues artículos en los bordes superiores de la bandeja.
9. Si alguna de las piezas se daña, rompe o pierde, no uses el carrito hasta obtener la pieza de repuesto.
10. No uses el carrito sobre superficies o para transportar objetos que puedan causar daños a los neumáticos.
11. Se recomienda revisar el carrito antes de cada uso para detectar cualquier daño.
12. GUARDA ESTAS INSTRUCCIONES PARA FUTURAS CONSULTAS.



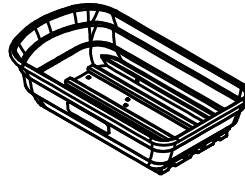
## Parts



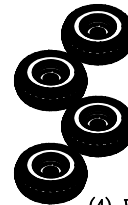
(1) Folding bracket  
1pc



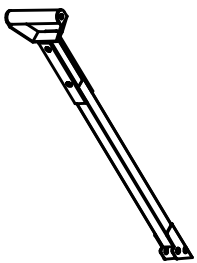
(2) Tray bracket  
1pc



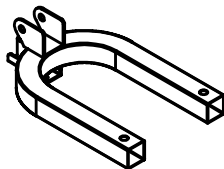
(3) Tray  
1pc



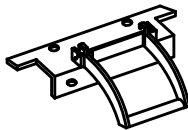
(4) Wheels  
4pcs



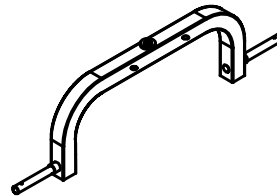
(5) Handle  
1pc



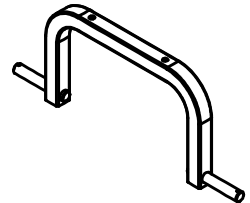
(6) Yoke  
1pc



(7) Locking  
1pc



(8) Front axle  
1pc

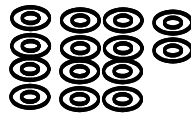


(9) Rear axle  
1pc

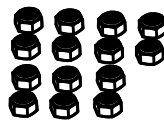
## Hard ware



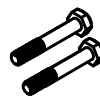
(A) M8\*25mm bolts.  
12 pcs



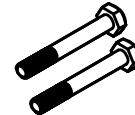
(B) 8mm Washer  
14 pcs



(C) 8mm Nut  
14 pcs



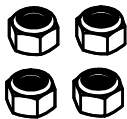
(D) M8\*55mm bolts  
2 pcs



(E) M10\*85mm bolts  
4 pcs



(F) 10mm Washer  
4 pcs



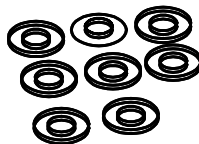
(G) 10mm Nut  
4 pcs



(H) 14mm Nut  
1 pc



(I) 14mm Washer  
1 pc



(J) 16mm Washer  
8 pcs



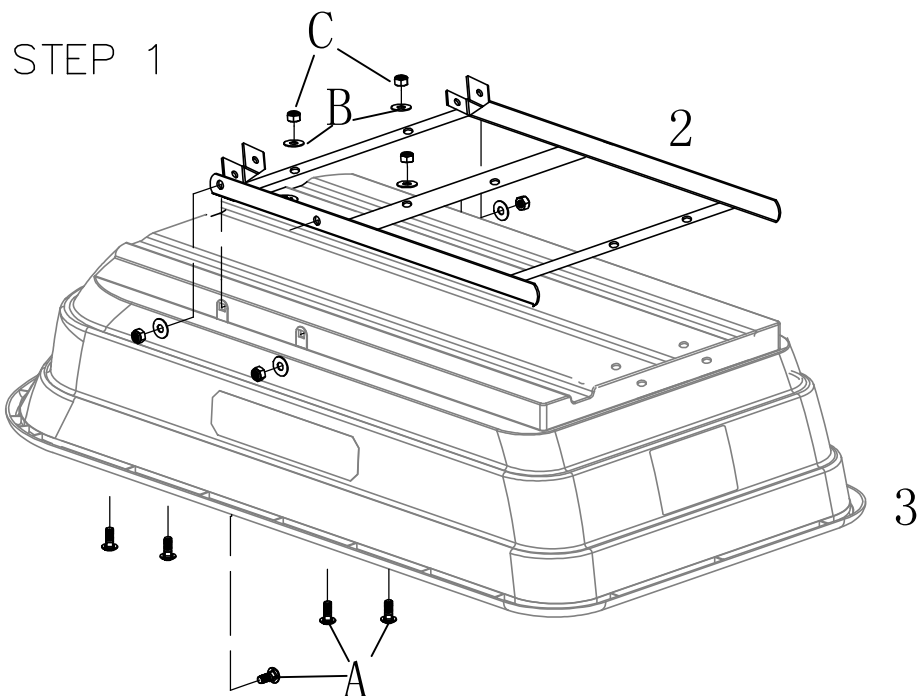
(K) Hair Cotter Pin  
4 pcs



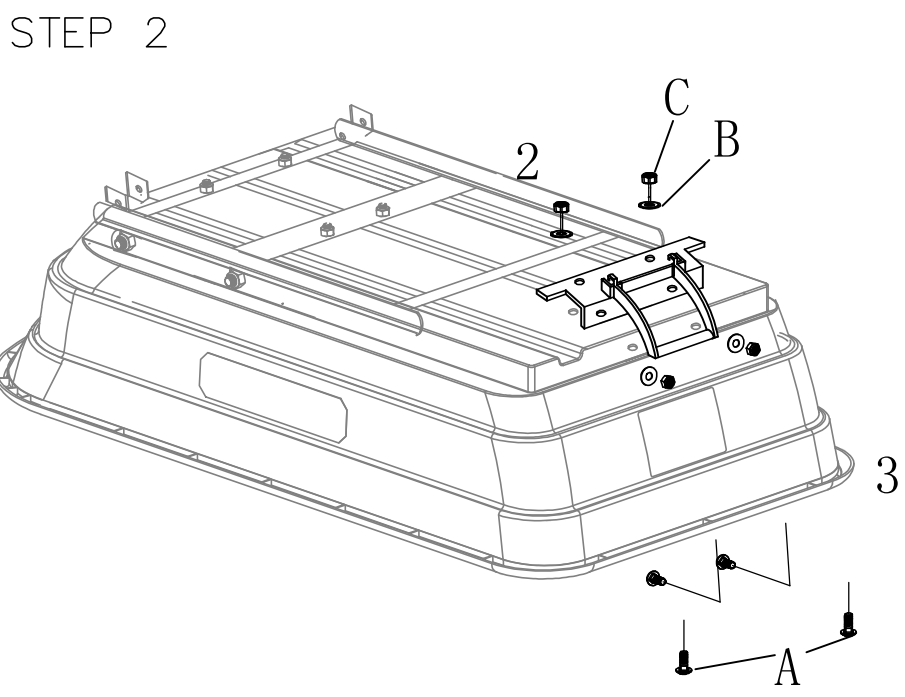
(L) Clevis Pin  
1 pc



(M) R Clip Pin  
1 pc

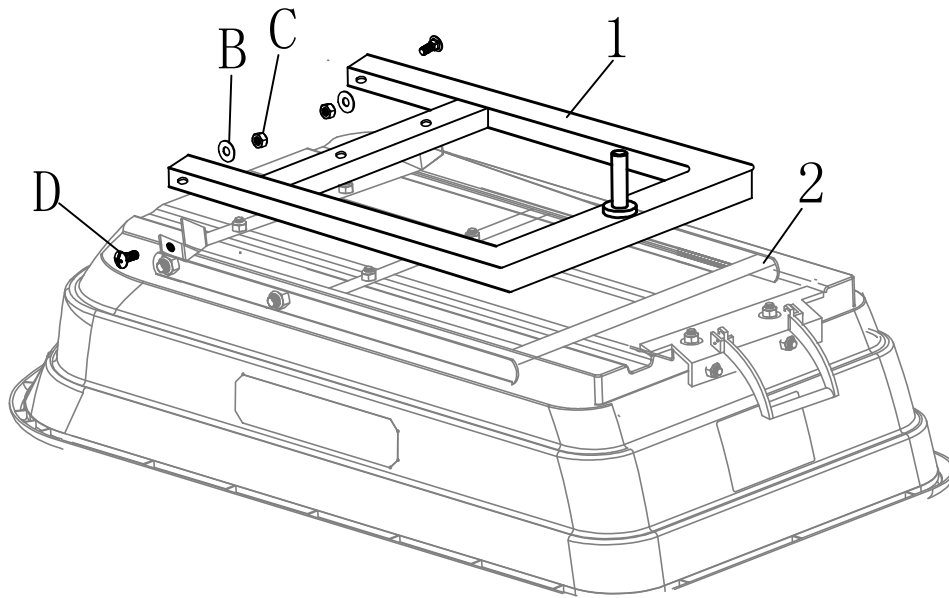


Assemble the tray holder (2) and tray (3) with 8pcs M8\*25mm bolts(A) 8pcs washers 8mm(B) and 8pcs nuts 8mm(C)  
 Note: Do not tighten the screws yet.



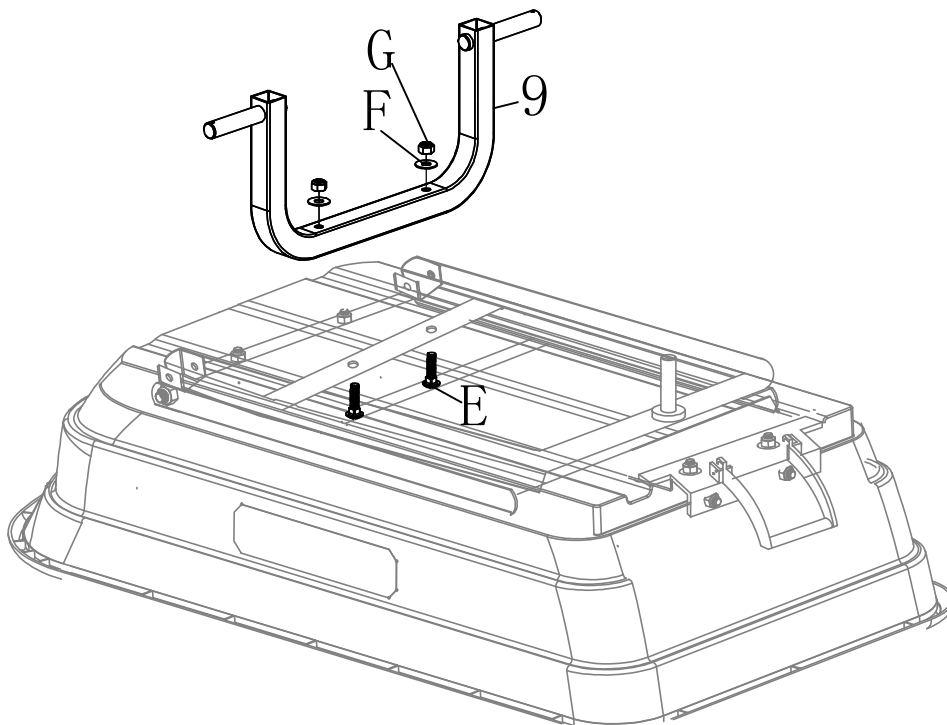
Assemble the fitting locking (7) tray bracket (2) and tray (3) together with 4pcs M8\*25mm bolts(A) 4pcs washers 8mm(B) and 4pcs nuts 8mm(C)  
 Note: Tighten all screws in step 1 and Step 2 after assembly.

### STEP 3



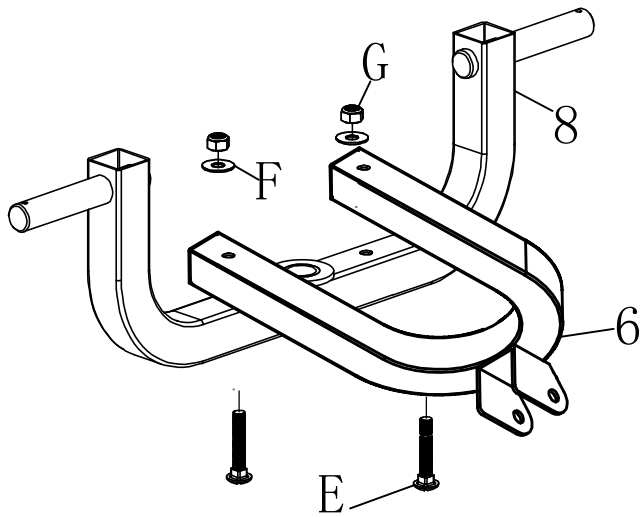
Assemble the fitting tray bracket (2) and folding bracket (1) together with 2pcs M8\*55mm (D) 2pcs washers 8mm (B) and 2pcs nuts 8mm (C)

### STEP 4



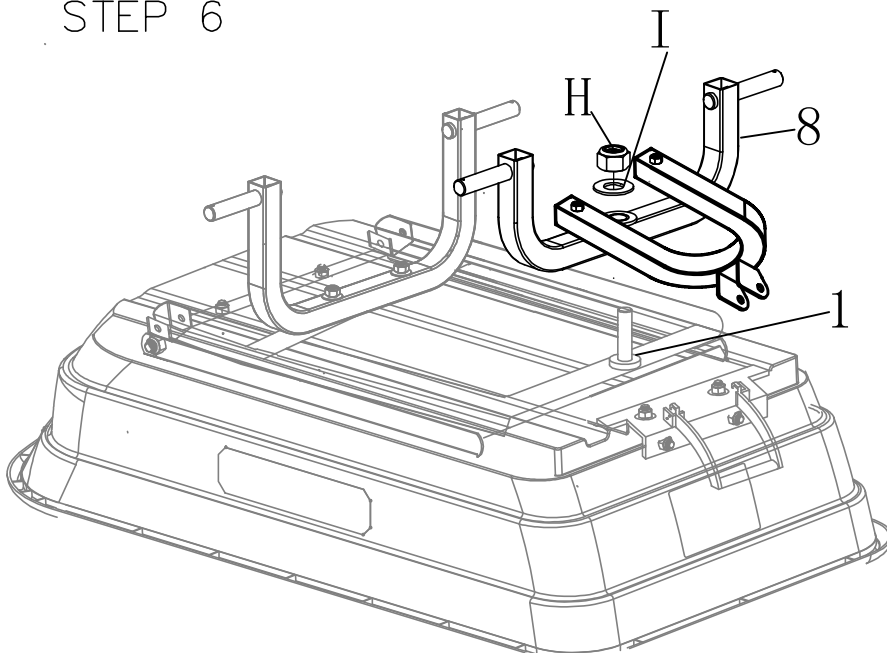
Assemble the fitting Rear axle (9) and folding bracket (1) together with 2pcs M10\*85mm (E) 2pcs washers 10mm (F) and 2pcs nuts 10mm (G)

## STEP 5



Assemble the fitting front axle (8) and yoke (6) together with 2pcs M10\*85mm (E) 2pcs washers 10mm (F) and 2pcs nuts 10mm (G) .

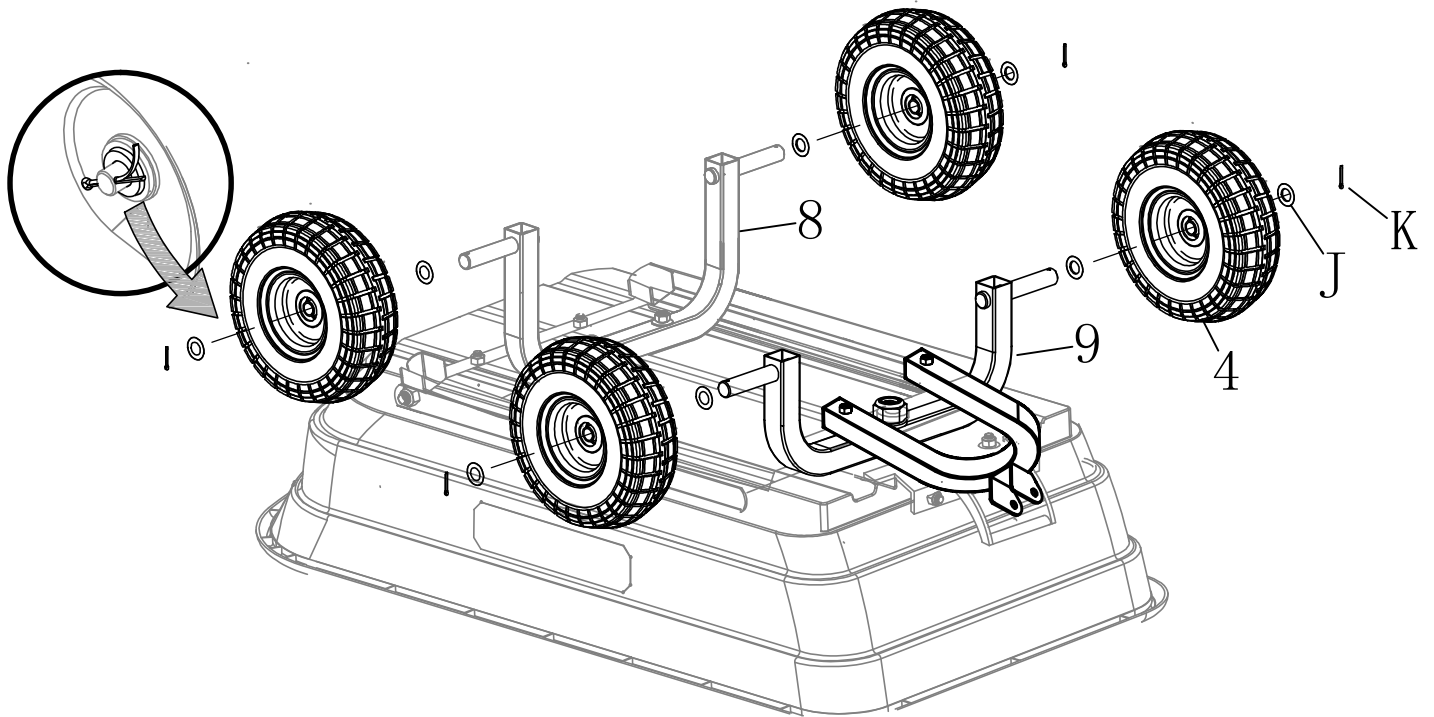
## STEP 6



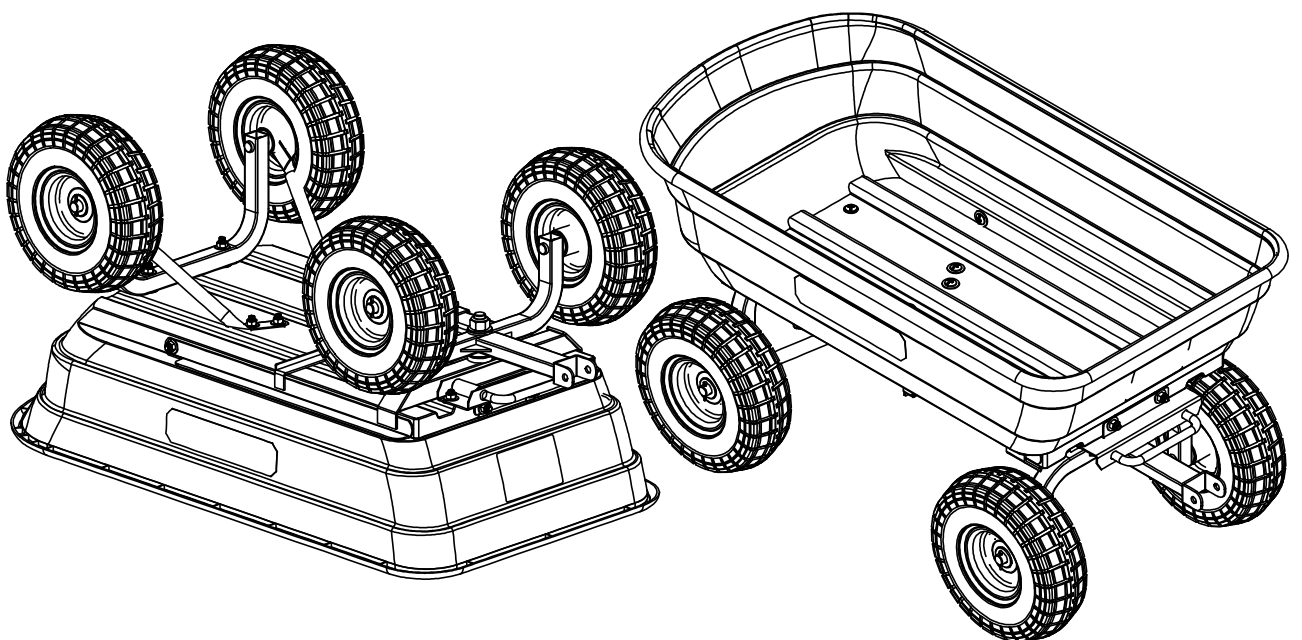
Assemble the fitting front axle (8) and folding bracket (1) with 1pc washers 14mm (H) and 1pc nuts 12mm (I)

Note: Adjust the tightness of the nut according to the steering flexibility of the front axle bracket.

# STEP 7

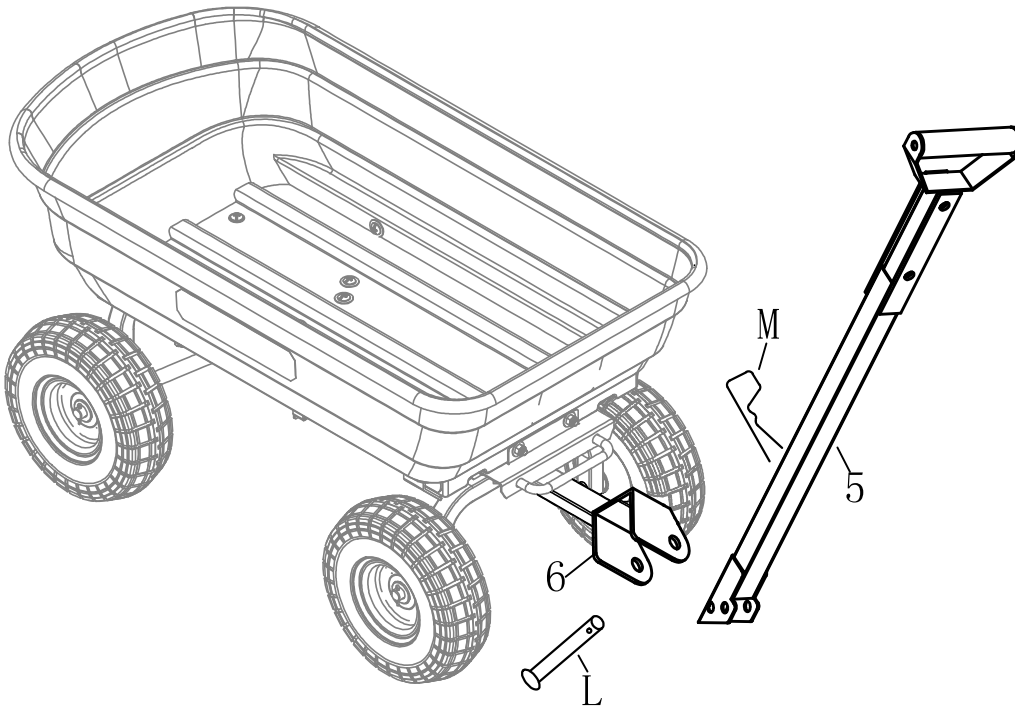


Assemble the fitting wheel (4) on top of the front axle (8) and rear axle (9) using 8pcs 16mm washer (J) and 4pcs Hair Cotter Pins (K)



Turn over the cart.

# STEP 8



Assemble the handle (5) to the yoke (6) with 1pc Clevis Pin (L) and 1pc R Clip Pin (M)

