

CONSTRUCTION EQUIPMENT

SUNWARD
INNOVATION LEADS TO VALUE

TELEHANDLER

SWTH 634/1056







Main Features

SWTH series telescopic handlers are mechanical, electric and hydraulic integrated multi-functional handling and lifting logistic equipment of a new generation independently developed by Sunward, and their performance parameters have reached the international advanced level. They are an ideal and efficient loading, unloading and handling tool for the modern industry, construction industry and agriculture. The equipment has been widely used at factories, warehouses, terminals, construction sites, farms for cultivation, material yards, etc.



A Powerful Dynamic System

It is powerful, efficient in driving and stable in performance with hydrostatic drive, 4X4 drive, and a top configuration consisting of an imported engine, axle, gearbox, hydraulic elements, etc.

A Suspension System of Good Performance

It has a very good buffering and vibration damping effect when leveling with front axle and floating with rear axle, and the rigid locking function of the rear axle and the frame leveling function of the front axle can greatly improve the off-road performance and the driving comfort.

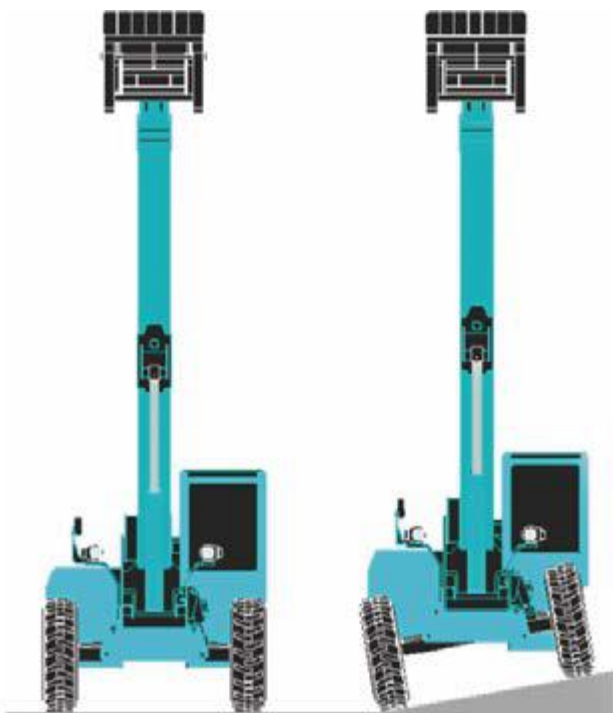
A Light and Flexible Steering System

Three steering modes (front-wheel steering, four-wheel steering, and crab steering) that can be randomly switched are provided to satisfy the requirements of various working conditions; moreover, the power-assisted steering function of the light and flexible hydraulic cylinder also greatly improves the maneuverability and the flexibility.

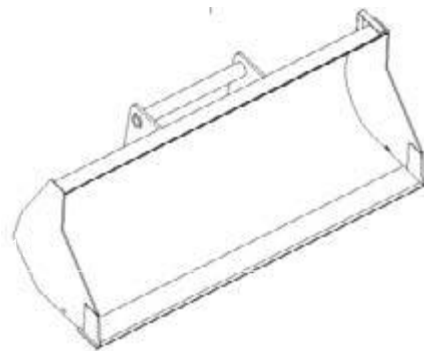
A Precise and Convenient Control System

- 1.The intelligent electrically controlled accelerator is easy to operate.
- 2.The electro-hydraulic proportional control system with pressure compensation and load feedback prevents the working speed from being affected by load variations and keeps the system at a small power loss and good stability. The electric proportional control lever of excellent performance also entails good jogging control and stability of different movements, thus to greatly reduce the operation difficulty level for operators.

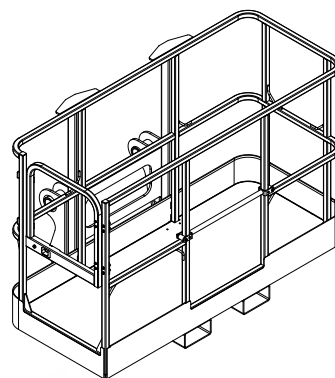
Frame Leveling Function



Optional Attachments



Bucket	
Overall dimensions: (LxWxH, in)	90.6×38.4×31.7
Weight: (lb)	820
Bucket capacity (yd ³)	1.3
Applicable model:	Products of SWTH series



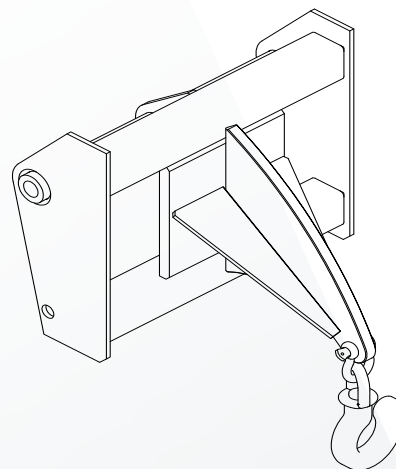
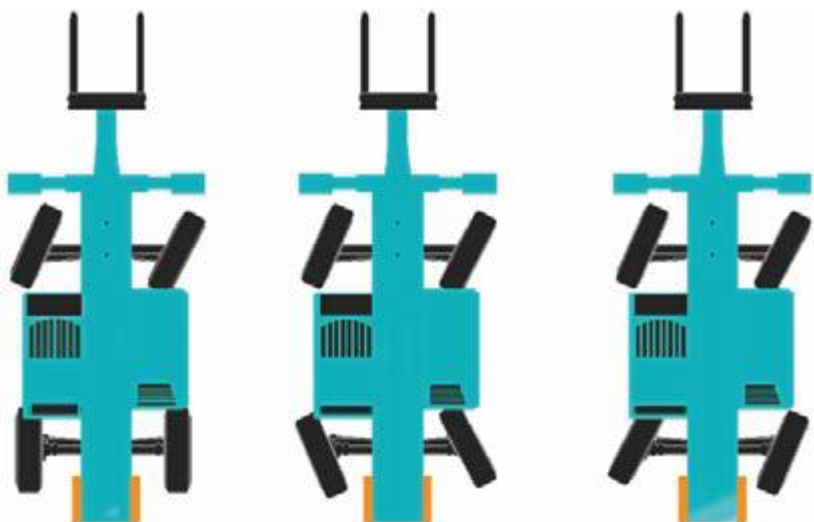
Personnel work platform	
Overall dimensions: (LxWxH, in)	72×41.1×49
Weight: (lb)	408
Rated loading: (lb)	805
Applicable model:	Products of SWTH series

Three Steering Modes

Front-wheel Steering

Four-wheel Steering

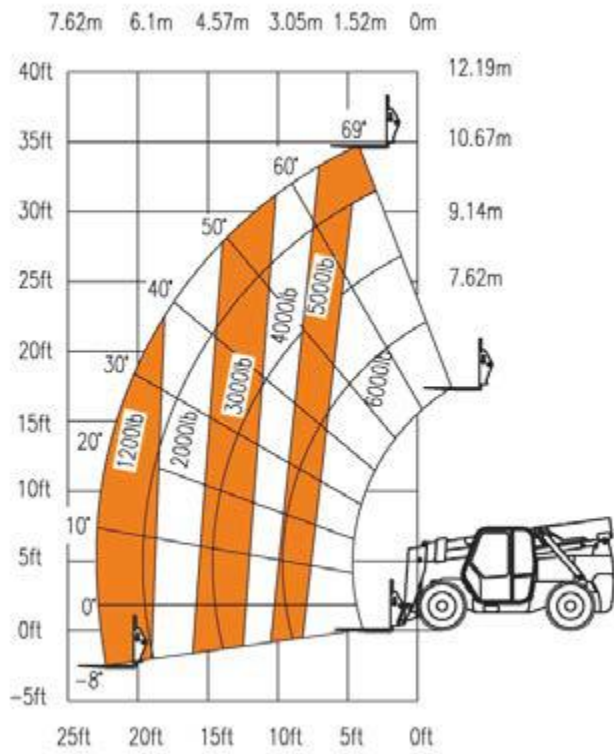
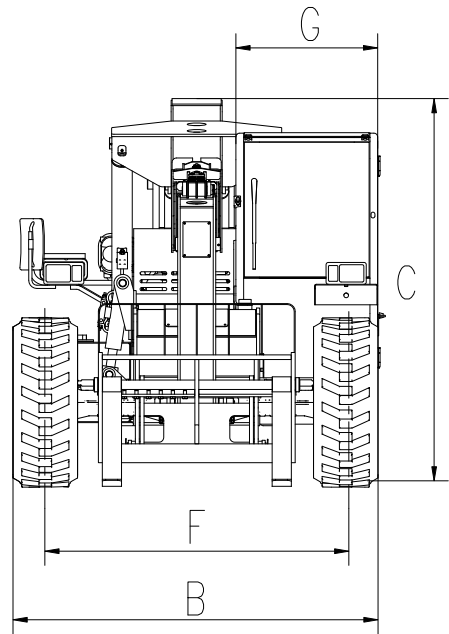
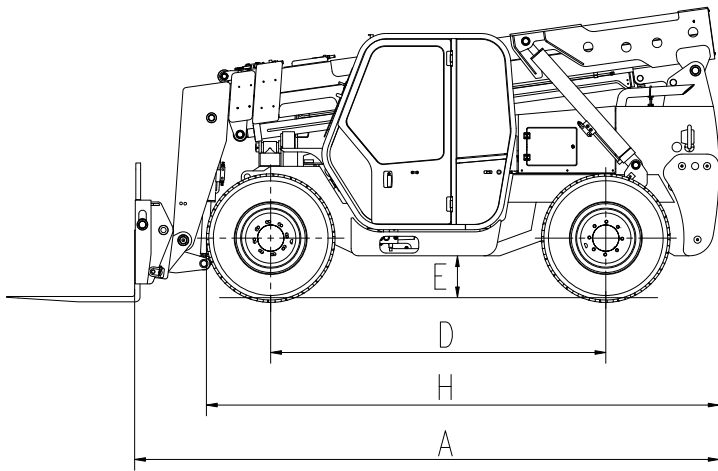
Crab Steering



Lifting hook	
Overall dimensions: (LxWxH, in)	28.1×30.7×25.2
Weight: (lb)	364
Rated loading: (lb)	7716
Applicable model:	Products of SWTH series



SWTH634



SWTH634

Performance Parameters			
Overall dimensions(L*W*H)		in	240.2*91.3*94.5
BASIC PARAMETERS	Overall weight (no-load)	lb	17860
	Rated bearing capacity	lb	6000
	Max. lifting height	ft	34
	Max. extension length	ft	23
	Loading capacity at Max. extension length	lb	1200
	Ground clearance	in	14
	Turning radius (outside)	ft	12.5
	Traction Force	lb	14390
ACTUATION TIME	No-load lifting time	s	15
	No-load descending time	s	10
	No-load full retraction time	s	15
	No-load full extension time	s	13
POWER TRAIN	Drive mode	/ hydrodynamic driven	
	Shift (Fwd./Rwd.)	/ 3/3	
	Max. Traveling speed	mph	18
	Gradeability	%	60
ENGINE	Brand	/	Deutz
	Model	/	TCD3.6L4HT
	Power	hp	74
	Max. Torque	lb-ft	287
	Oil injection method	/	Electronic injection
	Cooling method	/	Water cooling
CAPACITY	Hydraulic oil	gal	37
	Fuel	gal	37
	Engine oil	gal	2.7
	Engine coolant	gal	2.7
TIRE	Rough terrain Patterned pneumatic tires	/	16/70-20

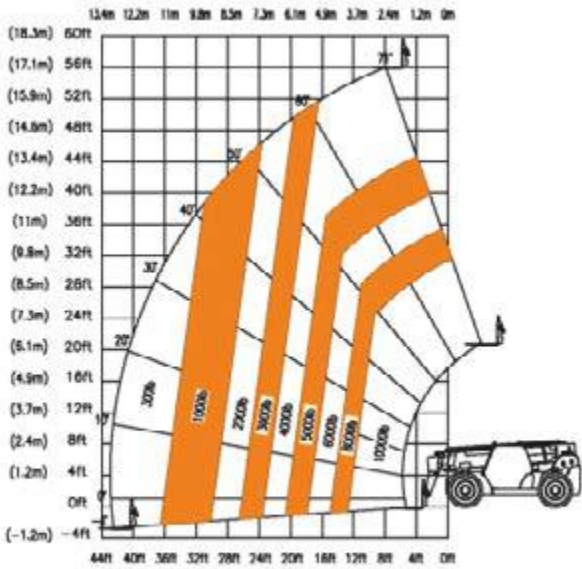
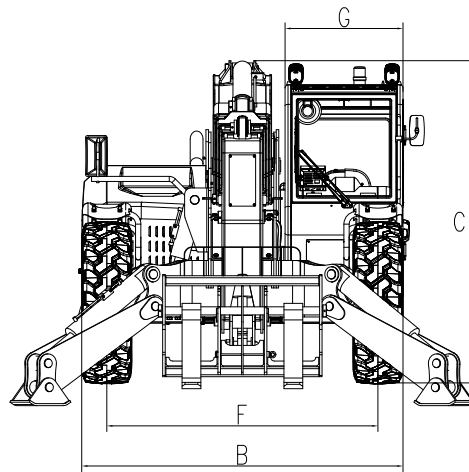
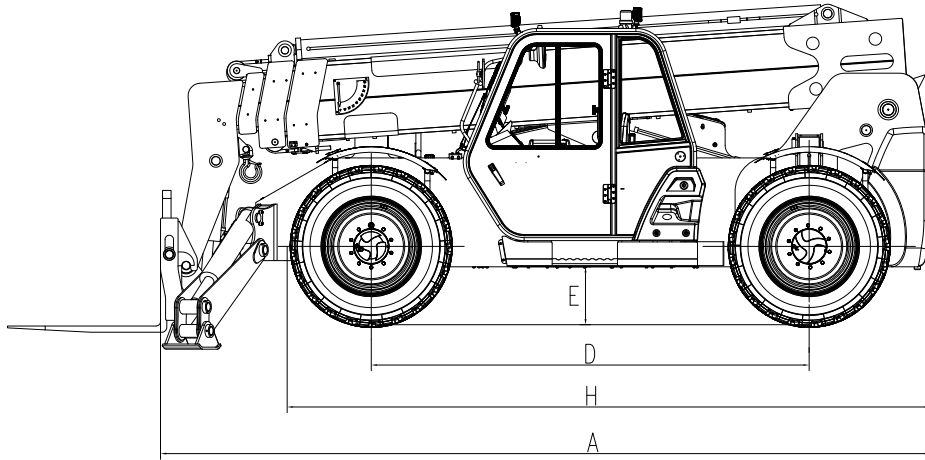
Dimensions			
A	Length (to Pallet fork)	193	in
B	Width	91.3	in
C	Height	94.5	in
D	Wheel base	110	in
E	Ground Clearance	14	in
F	Wheel tread	76	in
G	The Cab width	35.4	in
H	Length (to front wheel)	168.7	in

Standard Configuration	
Hydraulic pilot	Hydraulic transmission
Four-wheel drive	Three steering modes
Three boom	Work light
The horn	Warning light
Driving light	Floating fork
Quick change device	Automatic leveling system for fork
Frame leveling system	Tubing explosion-proof system
Anti-tipping protection system	Reversing image
Off-road pattern pneumatic tires	Open cab

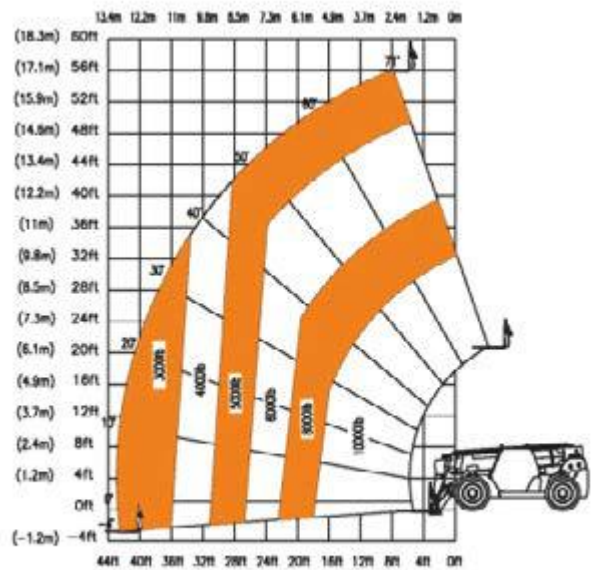
Optional Configuration	
Solid tyre	Personnel work platform
Pipe grapple	bucket
Soft Clamp	Coupler mounted hook
Enclosed cab	Cold/hot air conditioning



SWTH1056



OUTRIGGERS UP



OUTRIGGERS DOWN

SWTH1056

Performance Parameters			
	Overall dimensions(L*W*H)	in	289*100.8*100
BASIC PARAMETERS	Overall weight (no-load)	lb	33290
	Rated bearing capacity	lb	10000
	Max. lifting height	ft	56
	Max. extension length	ft	42
	Loading capacity at Max. extension length	lb	3000
	Ground clearance	in	18
	Turing radius (outside)	ft	14
	Traction Force	lb	25000
ACTUATION TIME	No-load lifting time	s	14
	No-load descending time	s	13
	No-load full retraction time	s	17
	No-load full extension time	s	16
POWER TRAIN	Drive mode	/	hydrodynamic driven
	Shift (Fwd./Rwd.)	/	4/3
	Max. Traveling speed	mph	20
	Gradeability	%	60%
ENGINE	Brand	/	Cummins
	Model	/	QSF3.8L Tier 4F
	Power	hp	130
	Emission Standard	/	US EPA4
	Max. Torque	lb-ft	360
	Oil injection method	/	Electronic injection
	Cooling method	/	Water cooling
CAPACITY	Hydraulic oil	gal	45
	Fuel oil	gal	41
	Engine oil	gal	3.2
	Engine coolant	gal	3.2
TIRE	Rough terrain Patterned pneumatic tires	/	400/75-28

Dimensions			
A	Length (to Pallet fork)	in	240.8
B	Width	in	100.75
C	Height	in	100
D	Wheel base	in	137.5
E	Ground Clearance	in	18
F	Wheel tread	in	85.1
G	The cab width	in	37
H	Length(to front wheel)	in	201.6

Standard Configuration	
Electrically controlled handle	hydrodynamic driven
Four-wheel Drive	Three steering modes
Rear View Camera	Fan
Warning light	LED Work light
Frame leveling	Quick-change device
Overload protection	Rough terrain Patterned pneumatic tires
Open cab	Mud-guard
The horn	Driving light
Floating fork	Automatic leveling system for fork
Four boom	Tubing explosion-proof system

Optional Configuration	
Solid tyre	Personnel work platform
Pipe grapple	bucket
Soft clamp	Coupler mounted hook
Enclosed cab	Cold/hot air conditioning