

CONSTRUCTION EQUIPMENT

**SUNWARD**  
INNOVATION LEADS TO VALUE

COMPACT TRACK LOADER  
**SWTL 4538**

Engine Power: **73.2 hp/54.6 kW** / Machine Weight: **10150 lb/4 600 kg** / Rated Operating Capacity: **2648 lbs/1 200 kg**

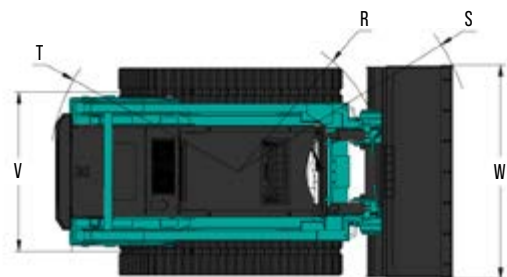
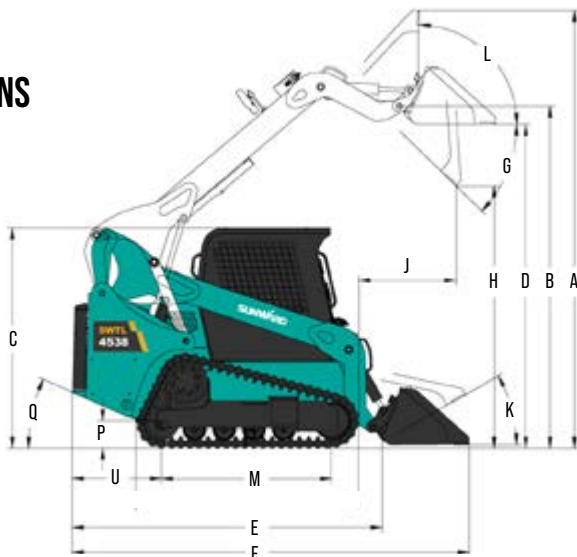


# TECHNICAL PARAMETERS

**SWTL 4538**

PERFORMANCE	Operating weight	10150 lb	4 600 kg
	Rated operating capacity	2648 lb	1200 kg
	Tipping load	7568 lb	3 430 kg
	Breakout force curl	7613 lb	3 450 kg
	Breakout force lift	5737 lb	2 600 kg
	Travel speed	4.8/7 mph	8/12 km/h
DIMENSIONS	Overall dimension (L × W × H) (standard bucket)	147'0"X79'3"X81'5"	3 735 × 2 015 × 2 071 mm
	A Maximum overall height	161'8"	4 110 mm
	B Bucket pin height at maximum lift	126'7"	3 217 mm
	C Height to top of cab	81'5"	2 071 mm
	D Height to bottom of level bucket	120'0"	3 044 mm
	E Length without bucket	116'9"	2 969 mm
	F Length with bucket on ground	147'0"	3 750 mm
	G Maximum dump angle	41°	44 deg
	H Dump height	98'3"	2 497 mm
	J Dump reach	37'3"	948 mm
	K Rack back angle bucket on the ground	30°	30 deg
	L Rack back angle at maximum height	89°	89 deg
	M Track length on the ground	63'0"	1 600 mm
	P Ground clearance	9'0"	228 mm
	Q Departure angle	34°	34 deg
	R Turning radius from center - Coupler	56'1"	1 424 mm
	S Turning radius from center - Bucket	91'4"	2 322 mm
	T Turning radius from center - Machine rear	67'0"	1 701 mm
U Bumper overhang behind rear axle	33'7"	855 mm	
V Width over track	59'1"	1 500 mm	
W Bucket width	79'3"	2 015 mm	
ENGINE	Brand	KUBOTA	
	Model	V3307-CR-TE5B	
	Type	Diesel, 4 cylinders, water cooled	
	Emission rating	EU Stage V	
	Output	73.2 hp	54.6/2 600 kW/rpm
	Max torque	195.5 lb-ft	265/1 500 N*m/rpm
TRACK	Type	Rubber track	
	Rubber shoe width	450 mm	
ELECTRICAL SYSTEM	Starter	73.2 hp	12V/3.0 kW
	Alternator rating	195.5 lb-ft	12V/80A
	Battery	120Ah	120 Ah
HYDRAULIC SYSTEM	Hydraulic flow (standard)	20 gpm	89 L/min
	Hydraulic flow (high)	29 gpm	130 L/min
	Max. hydraulic pressure	21 Mpa	21 Mpa
HYDRAULIC OIL TANK CAPACITY		9.0 gal	34 L
FUEL TANK CAPACITY		25.1 gal	95 L

## DIMENSIONS



## EQUIPMENT

THE STANDARD AND OPTIONAL EQUIPMENT VARIES FROM COUNTRY TO COUNTRY. FOR MORE INFORMATION, PLEASE CONTACT US.

		STANDARD EQUIPMENT	OPTIONAL EQUIPMENT
CAB	FOPS/TOPS cab	•	
	Safety armrest	•	
	Adjustable seat	•	
	Mechanical suspension seat		•
	Centralized panel	•	
	Double accelerator control system	•	
	Pilot control operating system	•	
	Fan heater	•	
	Air conditioning		•
	Lift cylinder safety bar	•	
FRONT WORKING DEVICES	Standard quick coupler	•	
	Standard bucket	•	
	Four-in-one bucket		•
	Pallet fork		•
HYDRAULIC SYSTEM	Boom emergency descent	•	
	Hydraulic float level system	•	
	Closed hydrostatic travelling system	•	
	Standard or high flow hydraulic system	•	
	Lift cylinder safety bar	•	
	2-speed	•	
ELECTRICAL SYSTEM	Front LED working light	•	
	Warning beacon light	•	
	Travelling alarm system (backward)	•	
	Horn	•	
	External power supply		•
	Attachment electronic control system		•
	Rear LED working light		•
OTHERS	Additional counter weight		•

## WORK TOOLS

