

SKID-STEER LOADERS  
**SWL 2830 | SWL 3230 | SWL 4038**

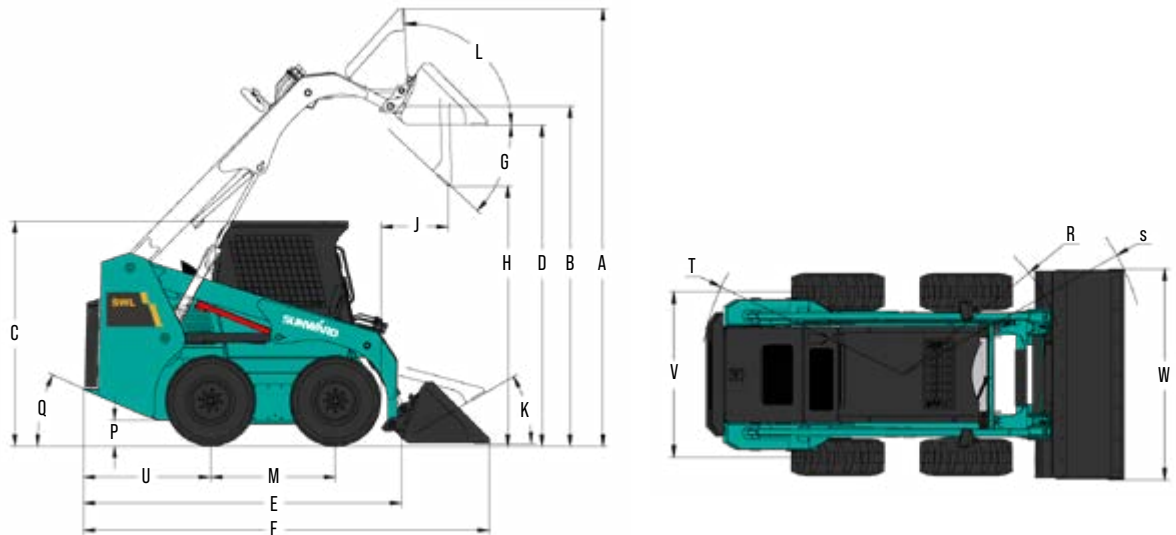
Engine Power: 64.2 - 73.2 hp/47.9 - 54.6 kW / Machine Weight: 6244 - 8164 lbs/2 830 - 3 700 kg / Rated Operating Capacity: 1655 - 2868 lbs/750 - 1 300 kg



# TECHNICAL PARAMETERS

		SWL 2830		SWL 3230		SWL 4038		
PERFORMANCE	Operating weight	6244 lb	2 830 kg	7613 lb	3 500 kg	8164 lb	3 700 kg	
	Rated operating capacity	1655 lb	750 kg	2427 lb	1 100 kg	2868 lb	1 300 kg	
	Tipping load	3310 lb	1 500 kg	4854 lb	2 200 kg	5737 lb	2 600 kg	
	Breakout force curl	4413 lb	2 000 kg	5472 lb	2 480 kg	7613 lb	3 450 kg	
	Breakout force lift	4192 lb	1 900 kg	5362 lb	2 430 kg	5737 lb	2 600 kg	
	Travel speed	8.1 mph	13 km/h	7.8 mph	12.6 km/h	7.5/11.2 mph	12-18 km/h	
DIMENSIONS	Overall dimension (L × W × H) (standard bucket)	130'2"X63'0"X79'3"	3 307 × 1 600 × 2 014 mm	147'0"X79'3"X81'4"	3 724 × 1 830 × 2 068 mm	147'0"X79'3"X81'5"	3 735 × 2 015 × 2 068 mm	
	A Maximum overall height	151'6"	3 850 mm	161'8"	4 020 mm	161'8"	4 110 mm	
	B Bucket pin height at maximum lift	118'2"	3 002 mm	126'5"	3 123 mm	126'7"	3 214 mm	
	C Height to top of cab	79'3"	2 014 mm	81'4"	2 068 mm	81'5"	2 068 mm	
	D Height to bottom of level bucket	111'6"	2 834 mm	119'8"	2 948 mm	120'0"	3 044 mm	
	E Length without bucket	102'5"	2 604 mm	117'5"	2 965 mm	116'9"	2 984 mm	
	F Length with bucket on ground	130'2"	3 307 mm	147'0"	3 724 mm	147'0"	3 735 mm	
	G Maximum dump angle	42°	42 deg	41°	43 deg	41°	41 deg	
	H Dump height	91'3"	2 320 mm	98'1"	2 395 mm	98'3"	2 493 mm	
	J Dump reach	18'7"	475 mm	36'0"	625 mm	37'3"	915 mm	
	K Rack back angle bucket on the ground	30°	30 deg	30°	30 deg	30°	30 deg	
	L Rack back angle at maximum height	97°	97 deg	89°	93 deg	89°	89 deg	
	M Wheelbase	39'2"	996 mm	46'8"	1 148 mm	63'0"	1 188 mm	
	P Ground clearance	8'3"	212 mm	9'3"	205 mm	9'0"	237 mm	
	Q Departure angle	25°	25 deg	28°	26 deg	34°	28 deg	
	R Turning radius from center - Coupler	48'6"	1 235 mm	52'3"	1 344 mm	56'1"	1 328 mm	
	S Turning radius from center - Bucket	76'9"	1 953 mm	88'7"	2 201 mm	91'4"	2 254 mm	
	T Turning radius from center - Machine rear	60'3"	1 531 mm	69'0"	1 747 mm	67'0"	1 751 mm	
U Bumper overhang behind rear axle	39'4"	1 001 mm	44'4"	1 159 mm	33'7"	1 127 mm		
V Width over tires	50'9"	1 293 mm	58'0"	1 475 mm	59'1"	1 474 mm		
W Bucket width	63'0"	1 600 mm	79'3"	1 830 mm	79'3"	2 015 mm		
ENGINE	Brand	KUBOTA		KUBOTA		KUBOTA		
	Model	V2403-CR-TE4B		V3307-CR-TE5B		V3307-CR-TE5B		
	Type	Diesel, 4 cylinders, water cooled		Diesel, 4 cylinders, water cooled		Diesel, 4 cylinders, water cooled		
	Emission rating	EU Stage V		EU Stage V		EU Stage V		
	Output	64.2 hp	47.9/2 700 kW/rpm	73.2 hp	54.6/2 600 kW/rpm	73.2 hp	54.6/2 600 kW/rpm	
	Max torque	144.3 lb-ft	198.5/1 600 N*m/rpm	195.5 lb-ft	265/1 500 N*m/rpm	195.5 lb-ft	265/1 500 N*m/rpm	
ELECTRICAL SYSTEM	Starter	12V/2.0 kW		12V/3.0 kW		12V/3.0 kW		
	Alternator rating	12V/60A		12V/80A		12V/80A		
	Battery	120 Ah		120 Ah		120 Ah		
HYDRAULIC SYSTEM	Hydraulic flow (standard)	15 gpm	65 L/min	19 gpm	84 L/min	20 gpm	89 L/min	
	Hydraulic flow (high)	21 gpm	95 L/min	28 gpm	125 L/min	29 gpm	130 L/min	
	Hydraulic pressure (standard)	21 Mpa	21 Mpa	21 Mpa	21 Mpa	21 Mpa	21 Mpa	
HYDRAULIC OIL TANK CAPACITY	6.1 gal		23 L		8.7 gal		33 L	
FUEL TANK CAPACITY	19.8 gal		75 L		29.1 gal		110 L	
		25.1 gal		95 L				

## DIMENSIONS



## EQUIPMENT

THE STANDARD AND OPTIONAL EQUIPMENT VARIES FROM COUNTRY TO COUNTRY. FOR MORE INFORMATION, PLEASE CONTACT US.

		STANDARD EQUIPMENT	OPTIONAL EQUIPMENT
CAB	FOPS/TOPS cab	•	
	Safety armrest	•	
	Adjustable seat	•	
	Mechanical suspension seat		•
	Centralized panel	•	
	Double accelerator control system	•	
	Pilot control operating system	•	
	Fan heater	•	
	Air conditioning		•
Lift cylinder safety bar		•	
FRONT WORKING DEVICES	Standard quick coupler	•	
	Standard bucket	•	
	Four-in-one bucket		•
	Pallet fork		•
	Standard tires	•	
	Solid tires		•
HYDRAULIC SYSTEM	Boom emergency descent	•	
	Hydraulic auto-level system	•	
	Closed hydrostatic travelling system	•	
	Standard or high flow hydraulic system	•	
ELECTRICAL SYSTEM	Front LED working light	•	
	Warning beacon light	•	
	Travelling alarm system (backward)	•	
	Horn	•	
	External power supply		•
	Attachment electronic control system		•
	Rear LED working light		•
OTHERS	Additional counter weight		•

## WORK TOOLS

