

CONSTRUCTION EQUIPMENT

**SUNWARD**  
INNOVATION LEADS TO VALUE

COMPACT EXCAVATOR **SWE 60UF**

Engine Power: **48.2HP/36 kW**

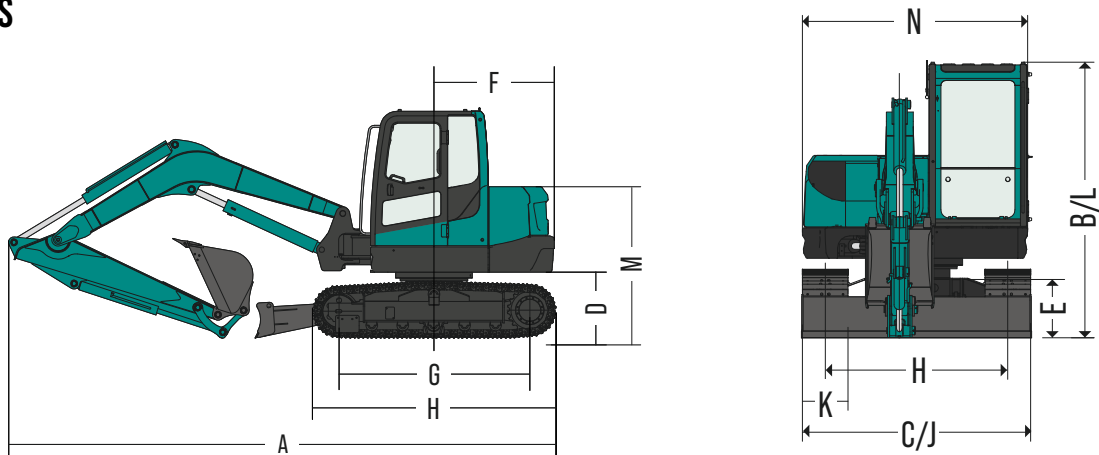
Machine Weight: **13230-13605lbs/6000 - 6170 kg**



# TECHNICAL PARAMETERS

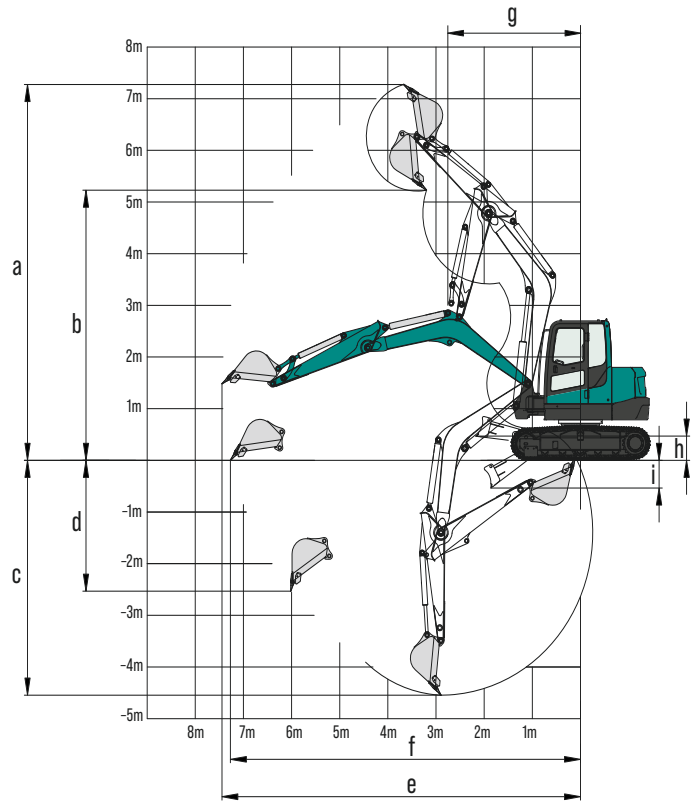
TYPE OF CAB			Cab
BUCKET CAPACITY		0.24 yd <sup>3</sup>	0.18 m <sup>3</sup>
BUCKET WIDTH, STD.		26.52 in	680 mm
MACHINE WEIGHT		13230-13605 lbs	6000 - 6170 kg
DIMENSIONS	Overall dimension (L × W × H)	18' x 6' 5" 8' 4"	5500 × 1960 × 2550 mm
	A Total length	18'	5500 mm
	B Total height	8' 4"	2550 mm
	C Total with	6' 5"	1960 mm
	D Ground clearance of counter weight	2' 1"	640 mm
	E Minimum ground clearance	13"	330 mm
	F Tail swing radius	3' 5"	1050 mm
	G Track length on the ground	6' 5"	1965 mm
	H Track length	8' 2"	2490 mm
	I Track gauge	5' 1"	1560 mm
	J Undercarriage width	6' 5"	1960 mm
	K Track shoe width	15.6"	400 mm
	L Cab height	8' 4"	2550 mm
	M Height of engine hood	5' 2"	1570 mm
	N Width of turntable	6' 1"	1845 mm
	ENGINE	Max digging force (Bucket)	10565.6 lbf
Max digging force (Arm)		6968.8 lbf	31 KN
Brand			KUBOTA
Model			V2607-CR-T
Type			Inline, 4 cylinders, 4 strokes, water cooled, mechanical pump
Emission rating			EPA T4F
Displacement		0.7 gal	2.615 L
Output		48.2HP/2000 rpm	36 kW / 2 000 rpm
TRACK	Max torque	152.69/1300 lbf.ft./rpm	206.9 / 1300 N*m/rpm
	Type		Rubber track
UNDERCARRIAGE	Rubber shoe width	15.6"	400 mm
	Track length	8' 2"	2490 mm
	Traveling speed (High/Low)	2.49/1.49 mph	4.0/2.4 km/h
Gradeability		35 deg	
SWING SPEED		9.4 rpm	
GROUND PRESSURE		4.91 psi	33.87 kpa
HYDRAULIC PUMPS	Hydraulic pump type		2 variable plunger pumps
	Max displacement of hydraulic pump		2*26.9cc
	Hydraulic pressure of hydraulic pump	3552.5 psi	245 bar
	Pilot pump		Gear pump
	Max displacement of pilot pump		4.9cc
Hydraulic pressure of pilot pump	565.50 psi	39 bar	
SWING MOTOR			Plunger motor
TRAVEL MOTOR			2-speed plunger motor
FUEL TANK CAPACITY		18.5 gal	70 L
HYDRAULIC OIL TANK CAPACITY		18.5 gal	70 L

## DIMENSIONS



# WORKING RANGE

WORKING RANGE & BREAKOUT FORCE	a	Max. cutting height	18' 5"	5 610 mm
	b	Max. loading height	12' 11"	3 950 mm
	c	Max. digging depth	12' 2"	3 710 mm
	d	Max. vertical digging depth	10' 6"	3 199 mm
	e	Max. digging reach	20' 5"	6 235 mm
	f	Max. reach on ground	20'	6 105 mm
	g	Min. front swing radius	8' 5"	2 568 mm
	h	Max dozer lifting height	16"	410 mm
	i	Max dozer cutting depth	16.54"	424 mm
			Max digging force (Bucket)	10565.6 lbf
		Max digging force (Arm)	6968.8 lbf	31 kN
		Boom swing angle (Left/Right)	64/47 °	



# LIFTING CAPACITY

Lift Point Height (ft/m)	Lift Point Radius (MAX)				Lift Point Radius (16'5")				Lift Point Radius (13'1")				Lift Point Radius (9'10")			
	Over-front (lbs/kg)		Over-side (lbs/kg)		Over-front (lbs/kg)		Over-side (lbs/kg)		Over-front (lbs/kg)		Over-side (lbs/kg)		Over-front (lbs/kg)		Over-side (lbs/kg)	
13'1" / 4.0	2017.6*	915.0*	1835.7*	832.5*	/	/	/	/	/	/	/	/	/	/	/	/
9'10" / 3.0	1686.8*	765.0*	1488.4*	675.0*	/	/	2381.4*	1080.0*	2067.2*	937.5*	/	/	/	/	/	/
6'7" / 2.0	1554.5*	705.0*	1273.4*	577.5*	1662.1*	753.8*	1405.7*	637.5*	2480.6*	1125.0*	2050.7*	930.0*	3506.0*	1590.0*	3091.4*	1402.0*
3'3" / 1.0	1488.4*	675.0*	1207.2*	547.5*	1504.9*	682.5*	1339.5*	607.5*	1885.3*	855.0*	1868.7*	847.5*	2844.5*	1290.0*	2844.5*	1290.0*
0.0 / 0.0	1372.6*	622.5*	1190.7*	540.0*	1389.2*	630.0*	1273.4*	577.5*	2001.0*	907.5*	1719.9*	780.0*	2976.8*	1350.0*	2480.6*	1125.0*
-3'3" / -1.0	1504.9*	682.5*	1323.0*	600.0*	/	/	/	/	1901.8*	862.5*	1620.7*	735.0*	2794.8*	1267.5*	2348.3*	1065.0*
-6'7" / -2.0	1753.0*	795.0*	1604.1*	727.5*	/	/	/	/	1885.3*	855.0*	1653.8*	750.0*	2513.7*	1140.0*	2183.0*	990.0*

- Notes:
- Load with \* is limited by hydraulic capacity and based on ISO 10567. Rated loads do not exceed 87% of hydraulic capacity.
  - Load without \* is limited by tipping load and based on ISO 10567. Rated loads do not exceed 75% of tipping capacity.
  - The excavator bucket, hook, sling and other lifting accessories are not included in this table.

