

MEDIUM EXCAVATORS
SWE 155F | SWE 155UF | SWE 155UF-2PB

Engine Power: 120.7-124.7HP/90 – 93 kW

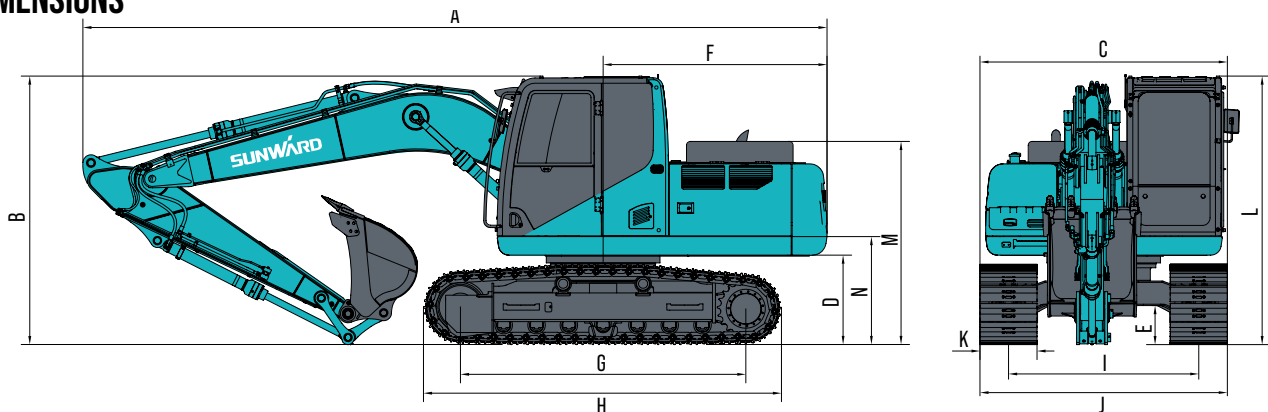
Machine Weight: 34612-37478.6lb/15 700 – 17 000 kg



TECHNICAL PARAMETERS

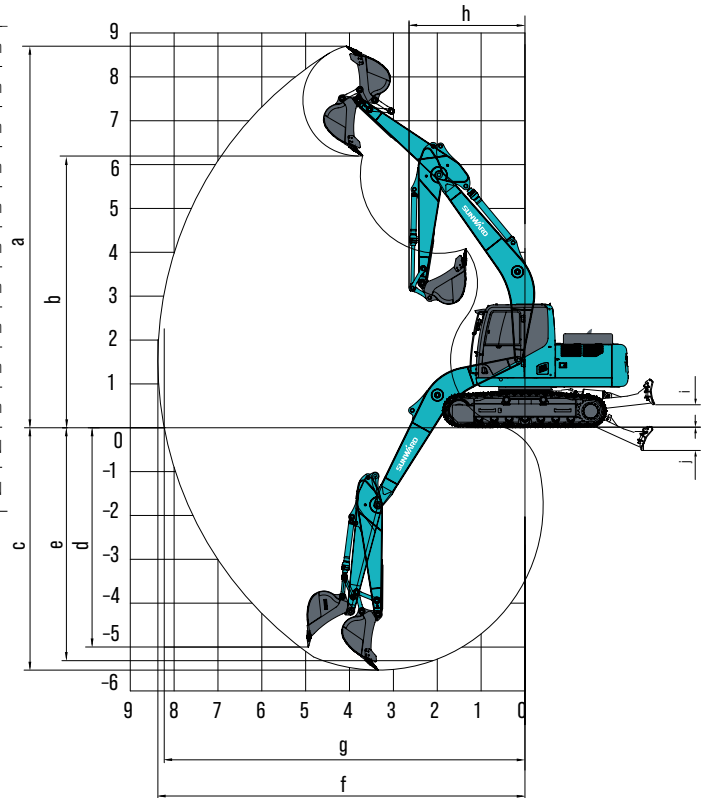
		SWE 155F		SWE 155UF		SWE 155UF-2PB	
TYPE OF CAB		Cab		Cab		Cab	
BUCKET CAPACITY		0.8 yd ³	0.61 m ³	0.798 yd ³	0.61 m ³	0.798 yd ³	0.61 m ³
BUCKET WIDTH, STD.		3'1"	940 mm	3 ft 1 in	940 mm	3 ft 1 in	940 mm
MACHINE WEIGHT		34392 lb	15 600 kg	36382.5 lbs	16 500 kg	37485 lbs	17 000 kg
DIMENSIONS	Boom Length	15'1"	4 600 mm	15 ft 1 in	4 600 mm	6 ft 6 in +9 ft 3 in	1 980 mm + 2 820mm
	Arm Length	8'2"	2 500 mm	8 ft 2 in	2 500 mm	8 ft 2 in	2 500 mm
	Overall dimension (L × W × H)	27'1" x 8'6" x 9'8"	8 250 * 2 600 * 2 950 mm	24 ft 1 in*8 ft 6 in*9 ft 8 in	7 345 * 2 600 * 2 950 mm	27 ft 1 in*8 ft 6 in*9 ft 8 in	8 250 * 2 600 * 2 950 mm
	A Total Length	27'1"	8 250 mm	24 ft 1 in	7 345 mm	27 ft 1 in	8 250 mm
	B Total Height	9'4"	2 850 mm	9 ft 8 in	2 950 mm	9 ft 8 in	2 950 mm
	C Total Width	8'6"	2 600 mm	8 ft 6 in	2 600 mm	8 ft 6 in	2 600 mm
	D Counterweight ground clearance	3'1"	940 mm	3 ft 1 in	935 mm	3 ft 1 in	935 mm
	E Mini ground clearance	1'4"	410 mm	1 ft 4 in	410 mm	1 ft 4 in	410 mm
	F Tail swing radius	7'9"	2 355 mm	4 ft 11 in	1 490 mm	4 ft 11 in	1 490 mm
	G Track length on the ground	9'10"	3 000 mm	9 ft 10 in	3 000 mm	9 ft 10 in	3 000 mm
	H Track Length	12'4"	3 765 mm	12 ft 4 in	3 760 mm	12 ft 4 in	3 760 mm
	I Track gauge	6'7"	2 000 mm	6 ft 7 in	2 000 mm	6 ft 7 in	2 000 mm
	J Undercarriage Width	8'6"	2 600 mm	8 ft 6 in	2 600 mm	8 ft 6 in	2 600 mm
	K Trackshoe width	2'	600 mm	1 ft 12 in	600 mm	1 ft 12 in	600 mm
	L Cab height	9'4"	2 850 mm	9 ft 6 in	2 885 mm	9 ft 6 in	2 885 mm
	M Height of engine hood	7'	2 145 mm	8 ft 6 in	2 600 mm	8 ft 6 in	2 600 mm
N Width of turntable	8'2"	2 490 mm	8 ft 2 in	2 490 mm	8 ft 2 in	2 490 mm	
SPECIFICATION	Operating weight	34392 lb	15 600 kg	36382.5 lbs	16 500 kg	37485 lbs	17 000 kg
	Bucket capacity	0.8yd ³	0.61 m ³	0.798 yd ³	0.61 m ³	0.798 yd ³	0.61 m ³
ENGINE	Brand	Cummins					
	Emission Rating	EU Stage V					
	Model	QSF3.8					
	Type	4 Stroke, Turbo Charged, Air cooled, Direct In					
	Power	124.62 HP/2 200 rpm	93 kW/200 rpm	120.6 HP/2200 rpm	90 kW/2200 rpm	120.6 HP/2200 rpm	90 kW/2200 rpm
	Max Output Torque	369 lbf.ft/1 500 rpm	500 Nm/1 500 rpm	369.7 lbf. ft/1500 rpm	501 Nm/1500 rpm	369.7 lbf. ft/1500 rpm	502 Nm/1500 rpm
Displacement	3.8 L						
HYDRAULIC SYSTEM	Hydraulic pump type	Variable Piston Pump		Variable Piston Pump		Variable Piston Pump	
	Max displacement of hydraulic pump	2×27.8 gal/min	2×126.4 L/ min	79.2 gal/min	300 L/min	79.2 gal/min	300 L/min
	Hydraulic pressure of hydraulic pump	34.3 Mpa		4554.3/4974.9 psi	31.4/34.3 Mpa	4554.3/4974.9 psi	31.4/34.3 Mpa
	Pilot pump	Gear Pump		Gear Pump		Gear Pump	
	Max displacement of pilot pump	4.4 gal/min	20 L/min	18 L/min		4.752 gal/min	18 L/min
	Hydraulic pressure of pilot pump	3.9 Mpa		3.5 Mpa		507.64 psi	3.5 Mpa
PERFORMANCE	Swing speed	11 rpm		11.2 rpm		11.2 rpm	
	Travel Speed	3.3-2 mi/h	5.3-3.2 km/h	3.3-2.2 mph	5.3-3.5 km/h	3.3-2.2 mph	5.3-3.5 km/h
	Gradeability	35 °		30 °		30 °	
	Ground Pressure	36.8 kPa		6.09 psi	42 kPa	6.09 psi	42 kPa
TANK CAPACITY	Fuel Tank Capacity	53.9 gal	245 L	47.52 gal	180 L	47.52 gal	180 L
	Hydraulic Oil Tank Capacity	150 L					

DIMENSIONS



WORKING RANGE

		SWE 155F	SWE 155UF	SWE 155UF-2PB	
WORKING RANGE & BREAKOUT FORCE	a	Max. cutting height	28'4" 8 640 mm	28 ft 6 in 8 700 mm	31 ft 8 in 9 645 mm
	b	Max. loading height	20'2" 6 145 mm	20 ft 4 in 6 200 mm	23 ft 5 in 7 140 mm
	c	Max. digging depth	18'2" 5 525 mm	18 ft 1 in 5 525 mm	18 ft 4 in 5 600 mm
	d	Max. digging depth (2.4 m)	17'5" 5 320 mm	17 ft 6 in 5 326 mm	18 ft 5 490 mm
	e	Max. vertical digging depth	16'2" 4 930 mm	16 ft 10 in 5 140 mm	15 ft 2 in 4 635 mm
	f	Max. digging reach	27'4" 8 330 mm	27 ft 5 in 8 370 mm	27 ft 10 in 8 490 mm
	g	Max. reach on ground	26'9" 8 150 mm	26 ft 12 in 8 225 mm	27 ft 4 in 8 345 mm
	h	Min. front swing radius	8'4" 2 530 mm	8 ft 8 in 2 640 mm	6 ft 10 in 2 095 mm
	i	Max dozer lifting height	1'9" 532 mm	1 ft 9 in 540 mm	1 ft 9 in 540 mm
	j	Max dozer cutting depth	2'1" 628 mm	2 ft 1 in 625 mm	2 ft 1 in 625 mm
		Max digging force (Bucket)	22480 lbf 100 kN	22481 lbf 100 kN	22481 lbf 100 kN
		Max digging force (Arm)	17085 lbf 76 kN	17085.56 lbf 76 kN	17085.56 lbf 76 kN





Sunward Canada

Please check our website for our current list of dealers.

SUNWARD CANADA EQUIPMENT INC.

✉ 2055 PEGASUS ROAD NE
CALGARY AB,
T2E 8C3

☎ (403) 291-2464

▶ Canada@sunward.cc

🌐 <https://global.sunward.com.cn/>

DEALER CONTACTS