

# BMD-2

ISO CE EPA EURO5

## PRODUCT INFORMATION

Here are the key specifications for this product model.

### OVERALL

Engine	Kohler CH440 EPA	
Power	9.86 kw	13.4 hp
Starter	Electric	
Fuel type	Gasoline	
Travel speed	0-4.9 km/h	0-3.04 mph
Payload	600 kg	1322 lbs
Bucket capacity	0.3 m <sup>3</sup>	10.59 ft <sup>3</sup>
Max grade ability	20	
Track width	179 mm	7.08 in
Machine weight	680 kg	1499 lbs

### DIMENSIONS & WORK RANGE

Overall length	2246 mm	88 inch
Overall width	868 mm	34 inch
Overall height	1394 mm	55 inch
Max dumping height	2878 mm	113.3 inch
Min dumping height	2029 mm	80 inch
Max dumping angle	26 deg	

# BDI EQUIPMENTS



**1-800-553-9061**



## BDI Equipments **BMD-2**

### MINI TRACKED DUMPER

## BDI EQUIPMENTS

Ontario Head office Address: 7300 Warden Ave, Unit 503, Markham, ON L3R 9Z6

Ontario Warehouse Address: 267 Matheson Blvd E, Mississauga, ON L4Z 1X8

Montreal Warehouse Address: 6635 Chem. of the Côte de Liesse, Saint-Laurent, QC H4T 1Z5

Vancouver Warehouse Address: 8040 River Rd, Richmond, BC V6X 1X7

Los Angeles Warehouse Address: 9935 Beverly Blvd Unit 3, Pico Rivera, CA 90660, USA

New York Warehouse Address: 174 Ridge Rd a, South Brunswick Township, NJ 08810, USA

More details and other products please visit [www.bdiequipments.com](http://www.bdiequipments.com)

We reserve the right to improve or withdraw the specification or products without prior notice

■ Toll free : 1-800-553-9061

■ Fax : 1-866-238-8172

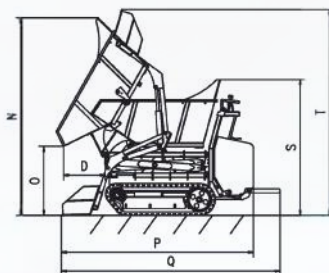
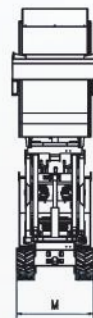
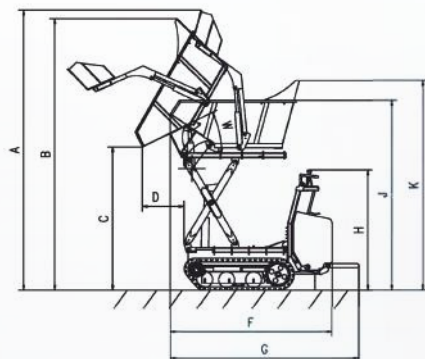
■ Email : [sales@bdiequipments.com](mailto:sales@bdiequipments.com)

## BMD-2

Toll free 1-800-553-9061

### DIMENSIONS

A	2878 mm	113.30 inch
B	2791 mm	109.88 inch
C	1470 mm	57.87 inch
D	427 mm	16.81 inch
F	1661 mm	65.39 inch
G	1937 mm	76.25 inch
H	1233 mm	48.54 inch
J	1950 mm	76.77 inch
K	2155 mm	84.84 inch
M	789 mm	31.06 inch
N	2029 mm	79.88 inch
O	708 mm	27.87 inch
P	1970 mm	77.55 inch
Q	2246 mm	88.42 inch
S	1394 mm	54.88 inch
T	2116 mm	83.30 inch
V	868 mm	34.17 inch
W	26°	



Toll free: 1-800-553-9061

Fax: 1-866-238-8172

Email: [sales@bdiequipments.com](mailto:sales@bdiequipments.com)

