

BMD-1

ISO CE EPA EURO5

PRODUCT INFORMATION

Here are the key specifications for this product model.

OVERALL

Engine	Kohler CH440 EPA	
Power	9.86 kw	13.4 hp
Starter	Electric	
Fuel type	Gasoline	
Travel speed	0-4.9 km/h	0-3.04 mph
Payload	800 kg	1763 lbs
Bucket capacity	0.3 m ³	10.59 ft ³
Max grade ability	20	
Track width	180 mm	7.1 in
Machine weight	600 kg	1234 lbs
Drive mode	Hydrostatic	
Dumping system	Hydraulic	

DIMENSIONS & WORK RANGE

Overall length	2317 mm	91 inch
Overall width	906 mm	36 inch
Overall height	1250 mm	49 inch
Max dumping height	1700 mm	67 inch
Max dumping angle	23 deg	

BDI EQUIPMENTS



1-800-553-9061



BDI Equipments

BMD-1

MINI TRACKED DUMPER

BDI EQUIPMENTS

Ontario Head office Address: 7300 Warden Ave, Unit 503, Markham, ON L3R 9Z6

Ontario Warehouse Address: 267 Matheson Blvd E, Mississauga, ON L4Z 1X8

Montreal Warehouse Address: 6635 Chem. of the Côte de Liesse, Saint-Laurent, QC H4T 1Z5

Vancouver Warehouse Address: 8040 River Rd, Richmond, BC V6X 1X7

Los Angeles Warehouse Address: 9935 Beverly Blvd Unit 3, Pico Rivera, CA 90660, USA

New York Warehouse Address: 174 Ridge Rd a, South Brunswick Township, NJ 08810, USA

More details and other products please visit www.bdiequipments.com

We reserve the right to improve or withdraw the specification or products without prior notice

■ Toll free : 1-800-553-9061

■ Fax : 1-866-238-8172

■ Email : sales@bdiequipments.com

BDI EQUIPMENTS

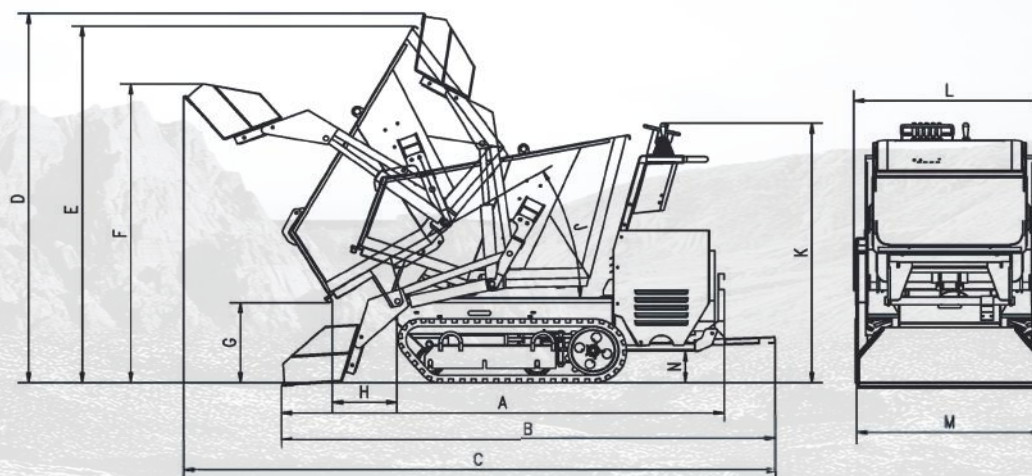
BMD-1

Toll free 1-800-553-9061



DIMENSIONS

A	2124 mm	83.62 inch
B	2317 mm	91.22 inch
C	2717 mm	106.96 inch
D	1804 mm	71.02 inch
E	1700 mm	66.92 inch
F	1480 mm	58.26 inch
G	516 mm	20.31 inch
H	365 mm	14.37 inch
J	23°	
K	1250 mm	49.21 inch
L	906 mm	35.66 inch
M	868 mm	34.17 inch
N		



Toll free: 1-800-553-9061

Fax: 1-866-238-8172

Email: sales@bdiequipments.com

