

BDI EQUIPMENTS



1-800-553-9061

www.bdiequipments.com



BDI Equipments
BEX-3

MINI SKID STEER





25 HP PERKINS EPA TIER 4 FINAL ENGINE

Experience peak performance and environmental compliance with our 25 HP EPA Tier 4 engines requires no DPF, ensuring efficiency, adherence to stringent emission standards, and fulfillment of your every need.



VERSATILE 36" WIDTH FOR ANY ENVIRONMENT

BEX-3 is remarkable with its versatile 36" width, ensuring adaptability in diverse work environments. It navigates narrow spaces, gates, and doorways with ease for optimal performance.



OPERATOR COMFORT

Experience superior comfort with an enhanced cushioned area, adding comfort and stability during prolonged usage.



HIGHER CAPACITY BUCKET

Elevate efficiency with high capacity bucket, boosting productivity.



Toll free: 1-800-553-9061



Fax: 1-866-238-8172



Email: sales@bdiequipments.com



www.bdiequipments.com



IMPROVED SAFETY THROUGH ELECTRONIC BRAKE INTEGRATION

Ensure heightened safety with the integration of an electronic brake, providing reliable and advanced safety during operation.



STREAMLINED JOYSTICK REDESIGN FOR EFFORTLESS SINGLE-HANDED OPERATION

Single handed operation is much easier with streamlined joystick redesign.



NEW TRACK DESIGN FOR ENHANCED STABILITY

Enjoy improved stability with the newly designed track, providing a secure and steady performance in diverse environments.



STANDARD FEATURES

Engine

- Perkins 403J-11 25 HP/18.2 kW

Attachments

- Adaptable with various attachments, suitable for all seasons
- With quick hitch system

Heavy Duty Rubber Track

- Heavy duty 8 inch wide track
- Upgrade for Enhanced Traction

Hydraulic System

- Bondioli Hydraulic pump
- Hydraulic Joystick Control

Bucket

- 36" wide
- Increased height for higher capacity 0.26yd³

Others

- Electronic Brake
- Redesigned One-handed Joystick
- Oversize Aluminum Radiator
- Easy-to-read visual hydraulic oil level indicator
- LED Work Light
- Cast rear counterweight
- Tool box



Toll free: 1-800-553-9061



Fax: 1-866-238-8172



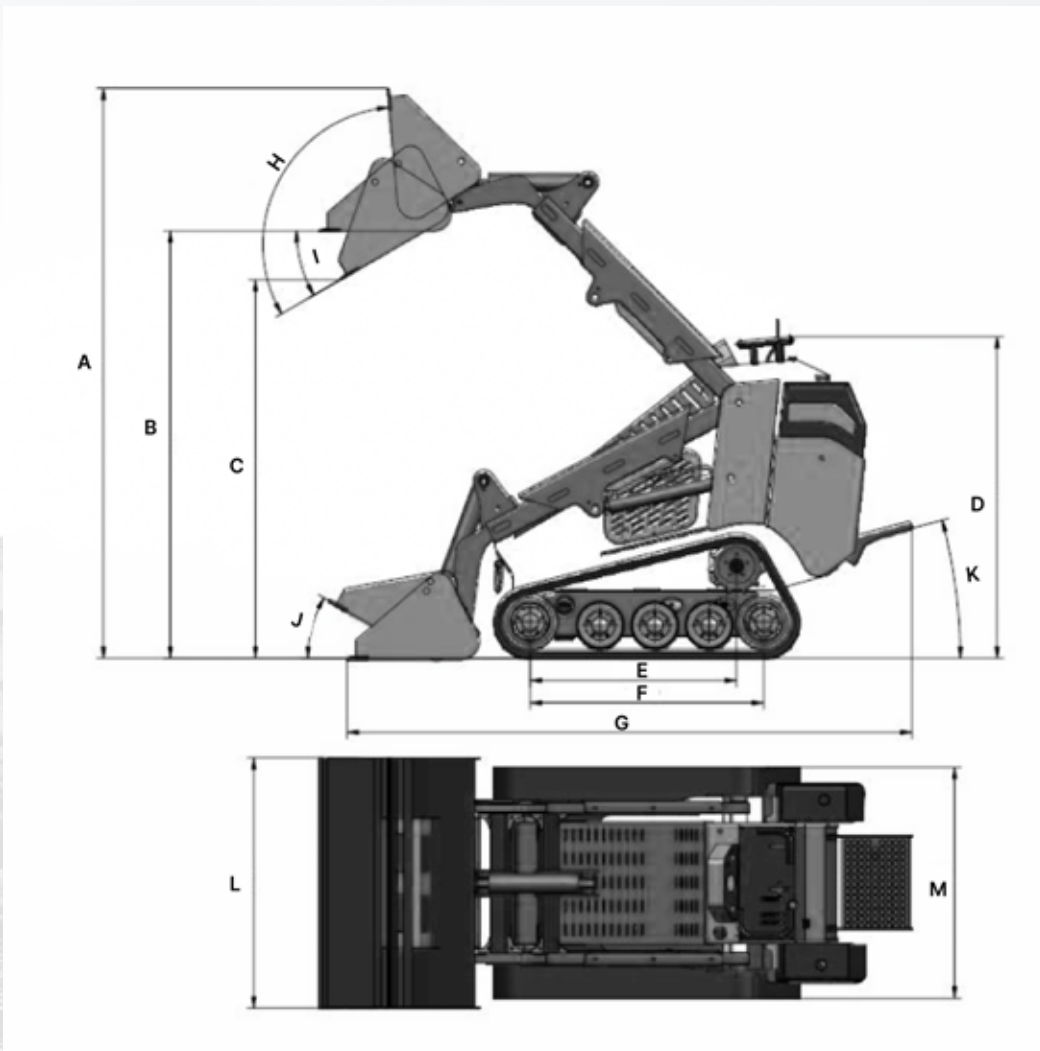
Email: sales@bdiequipments.com



www.bdiequipments.com

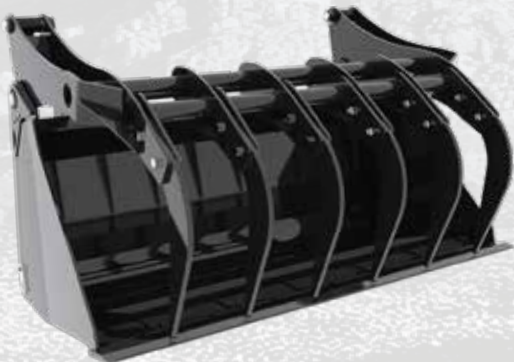
DIMENSION

Unit	Inch/Angle
A	113
B	76
C	64
D	62
E	39
F	42
G	115
H	90°
I	30°
J	30°
K	23°
L	36
M	36



VARIOUS ATTACHMENTS FOR BEX-3

Please contact us for more information.



PRODUCT INFORMATION



Here are the key specifications for this product model.

PERFORMANCE

Rated Loading Capacity	882 lb (0.45 Short Ton)
Operating Weight	3197 lb
Bucket Capacity	0.26 yd ³
Maximum Dumping Angle	30°
Maximum Dumping Height	60 in
Dumping Reach	30 in
Maximum Operating Height	113 in
Hight to Bucket Pin	83 in
Height to Top	51 in
Length without Bucket	90 in
Length with Bucket	115 in
Diparture Angle	23°
Rolling Angle at the Botton	26°
Rolling Angle at the Top	114°
Width	36 in
Bucket Width	36 in
Maximum Travel Speed	5.6 mph (9 km/h)

ENGINE

Model	Perkins 403J-11
Emissions Tier (EPA)	Tier 4 Final
Type	4-stroke, vertical, three-cylinders
Cylinder	3
Displacement	1.1 L
Rated Power	25 hp (18.2 kW)
Rated Speed	2,800 RPM
Maximum Torque	49.3 ft · lb / 2,100 RPM
Noise	≤ 95 dB
Fuel	Diesel

DRIVE AXLES

Wheel Base	42 in
Track Tread Width	35 in
Ground Clearance	3 in

HYDRAULIC SYSTEM

Pressure	2611 psi
Auxiliary Hydraulic Flow	13 gal/min (49.2L/min)
Circle Time - Lifting	5.6 s
Circle Time - Down	3.6 s
Circle Time - Bucket	3 s

TRACK

Dimension	200mm * 72mm * 45
-----------	-------------------



BDI EQUIPMENTS

Our Branches:

Ontario Head office Address: 7300 Warden Ave, Unit 503, Markham, ON L3R 9Z6

Ontario Outdoor Warehouse Address: 13532 Yonge St, Richmond Hill, ON L4E 2S9

Ontario Indoor Warehouse Address: 267 Matheson Blvd E, Mississauga, ON L4Z 1X8

Montreal Warehouse Address: 6635 Chem. of the Côte de Liesse, Saint-Laurent, QC H4T 1Z5

Vancouver Warehouse Address: 8040 River Rd, Richmond, BC V6X 1X7

Los Angeles Warehouse Address: 9935 Beverly Blvd Unit 3, Pico Rivera, CA 90660, USA

New York Warehouse Address: 174 Ridge Rd a, South Brunswick Township, NJ 08810, USA

■ Toll free: 1-800-553-9061

■ Fax: 1-866-238-8172

■ Email: sales@bdiequipments.com

*For additional information and a variety of other products,
please visit our website at www.bdiequipments.com.*