

GLORIA

FKTi

Contents:

Introduction	1 - 6
XC Build	7 - 14
Frame and Geo	15 - 28



Gloria ALL-ROAD



In case you wonder who is GLO-
RIA? Ever felt that awesome
buzz after a ride? That's what
Gloria's all about - capturing
that post-ride high we all know
and love.

Here at Gloria, we're big be-
lievers in the magic of multi-
functionality. We think a bike
should be more than just a one-
trick pony. True cycling bliss?
It's when your ride can han-
dle just about anything with-
out losing its edge. Whether
you're zipping through city
streets or taking the sce-
nic route, your Gloria bike
is your trusty sidekick for
every adventure.









Gloria FKti



XC BUILD

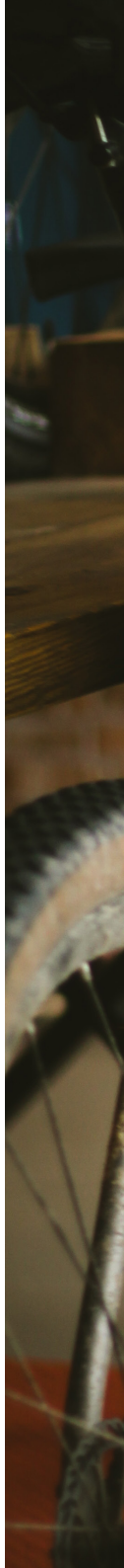
Exciting news from our end - we're rolling out our new XC bike, we have called it - the FKTi.

A bike that's ready to take on any thing, from local XC laps, chatty UK gravel rides to epic, edge-of-the-world adventures. We believe this bike absolutely does it all.

The FKTi is our wildcard, we are betting very heavily on it!

It could be your classic purebred XC machine but with a touch of the untamed.

Go light and speedy for local races, or gear up for rugged adventures and let it loose all the way to Caracas.





Gloria

Gloria 2024 XC Lookbook



What's the secret sauce?

We mixed a modern XC geometry that meets anyone's trail-riding zeal, crafted in top-notch titanium Grade 9 3.25 tubing. The FKTi is adventure-ready, folks.

This bike is more than just a lunch lap cruiser - it's built for any wild adventure you can cook up. We've already seen it smashing FKTs and ultra races. As off-road gets more adventurous, the FKTi is here to blaze the trails. Get it with frop bar and a rigid (or not) fork and you will have the ultimate UK focus gravel bike.

FKTi

Mechanical or electronic? Hydraulic or Cables - the FKTi is versatile. Wanted fully integrated, you have it!

Ready for anything?
Absolutely.

We are not gonna lie. We're betting the FKTi will be a top-seller, ready for both local XC races, ultras and hardcore bikepacking. Actually, it will be the gravel bike everyone needs in the UK. Just let us know and we fit a drop bar.

It's a full-featured speed demon, marrying efficiency, lightness, and stability. Just as comfy on singletrack as it is on gravel roads leading to it.

We've kept things sleek and simple - a straight headtube for stiffness and weight reduction, a direct mount rear brake, and a classic BSA bottom bracket.



Gloria ALL-ROAD



Gloria 2024 XC Lockbook





Gloria FKTi

Frame

Guide prices:

Frame only £1299.99

Frameset £1599.99 (Judy Fork)

*Frame supplied with Robert Project rear thru-axle and all appropriate cable guides.

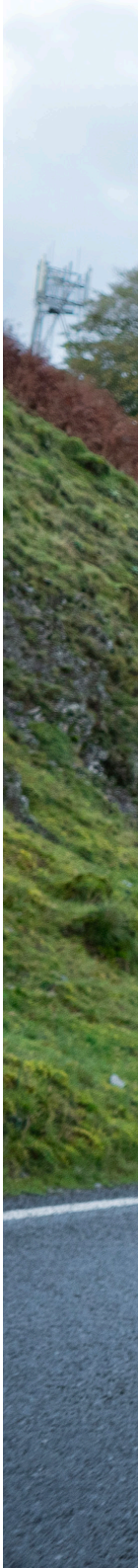
*ZS44/EC44 headset.

*Titanium collar.

*Internal Routed

*4 cage mounts

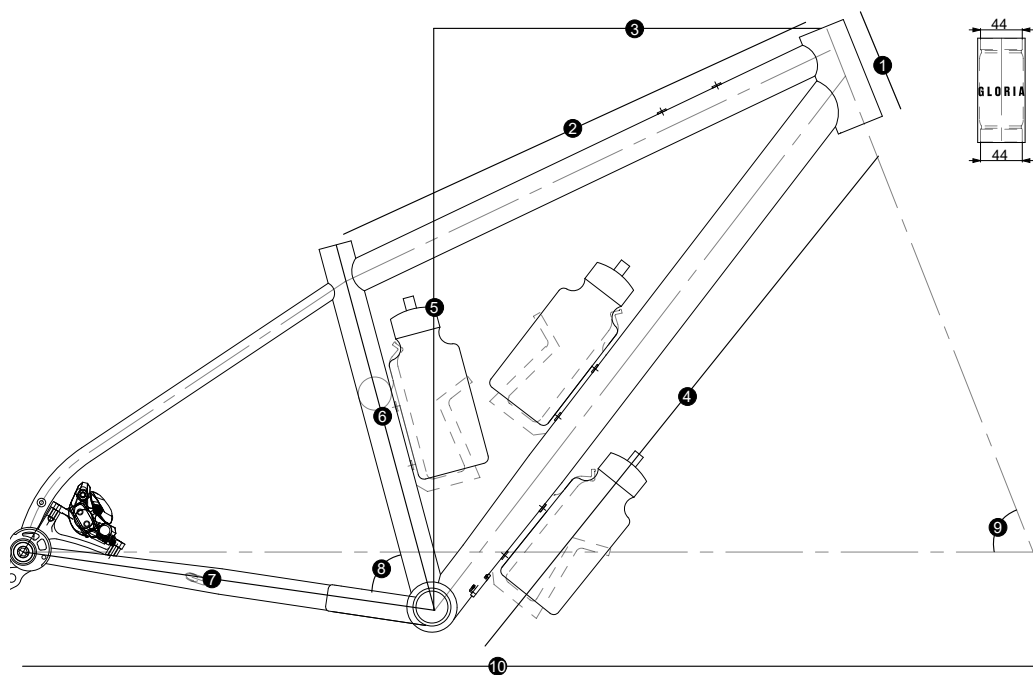
*Rack mount





Glória FkTi

Geometry



		S	M	L	XL
1	- HT LENGTH	110	110	115	120
2	- TP LENGTH	566	584	608	638
3	- REACH	410	435	461	488
4	- DT LENGTH	702	718	736	754
5	- STACK	610	610	614	619
6	- ST LENGTH	395	435	485	535
7	- CS LENGTH	435	335	435	435
8	- ST ANGLE	75	75	75	75
9	- HT ANGLE	68	68	68	68
10	- WHEELBASE	1119	1144	1172	1202
11	- FORK RAKE	51	51	51	51

Frame details:

*Frame finish included - Dark blasted with hand brushed and satin logos

*Axles Robert Axle Project Rear Axle 174Xm12-TP2.0 bolt thru

*Bottom bracket Standard BSA 73

*Brake mount 160mm rotor

*Seat tube internal 31.6mm & Seat tube external 34.9

*Tyre clearance 29x2.4

*Headset ZS44/EC44 & Front mech 31.8 band on

Gloria 2024 XC Lookbook



So, with
all the
options...
How would
you ride
it?
Flat or
drop bar,
rigid
or front
suspensi-
ton.



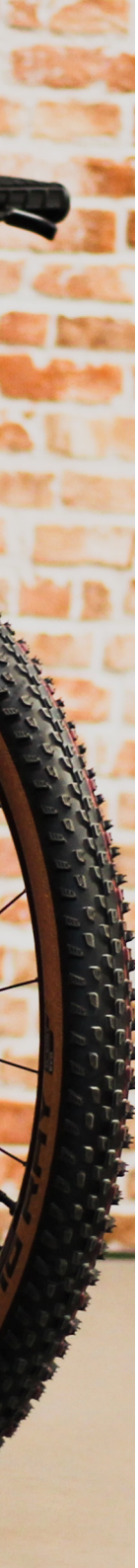
Hey, just a re-
minder... The FKTi
isn't just any bike
- it's a ride for
life. Take it on
your travels, give
it a good thrash-
ing, get it muddy
- it'll still look
just as great.

Authentic bike for
life....



Gloria 2023 Lookbook





Gloria FKTi

**IN
CYCLING
WE TRUST**

