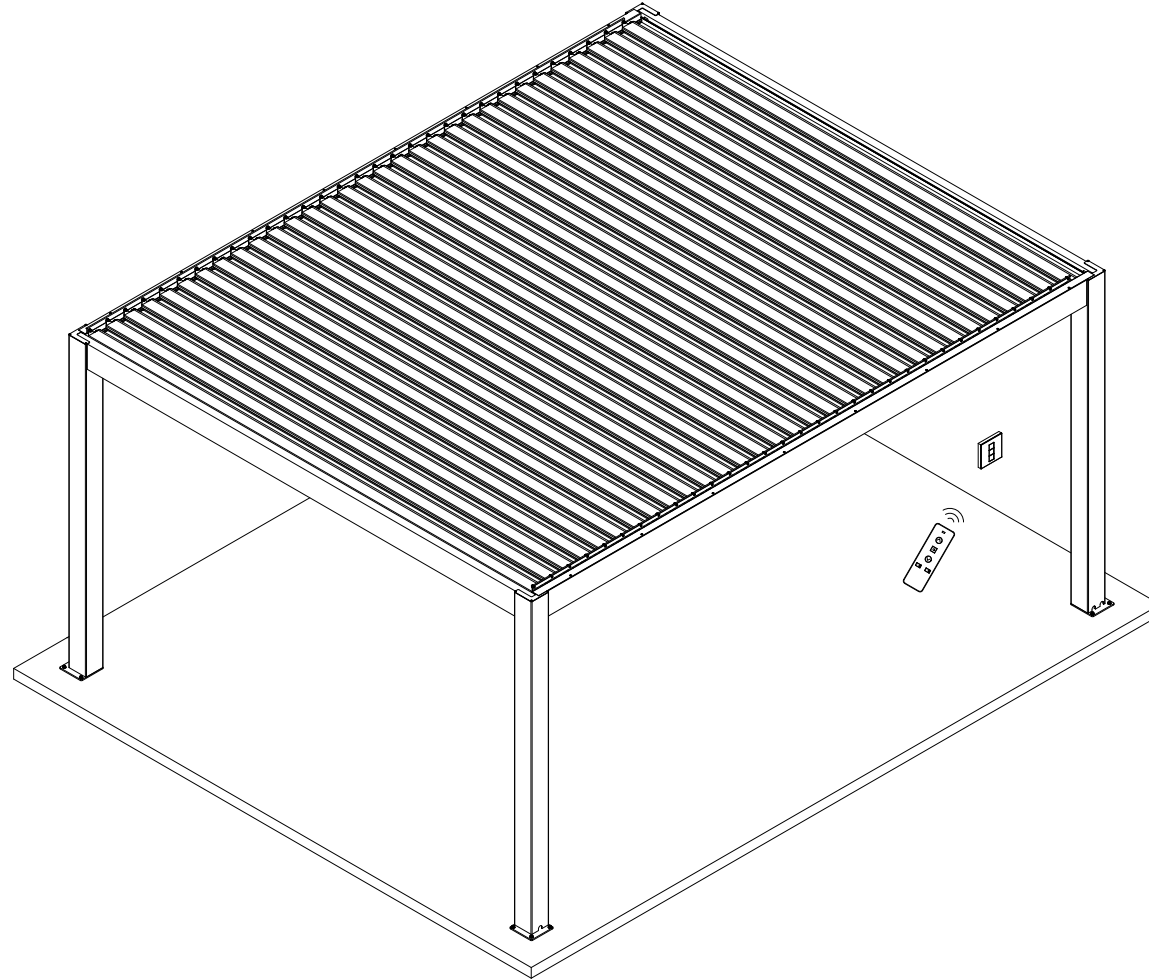




OWNER'S MANUAL

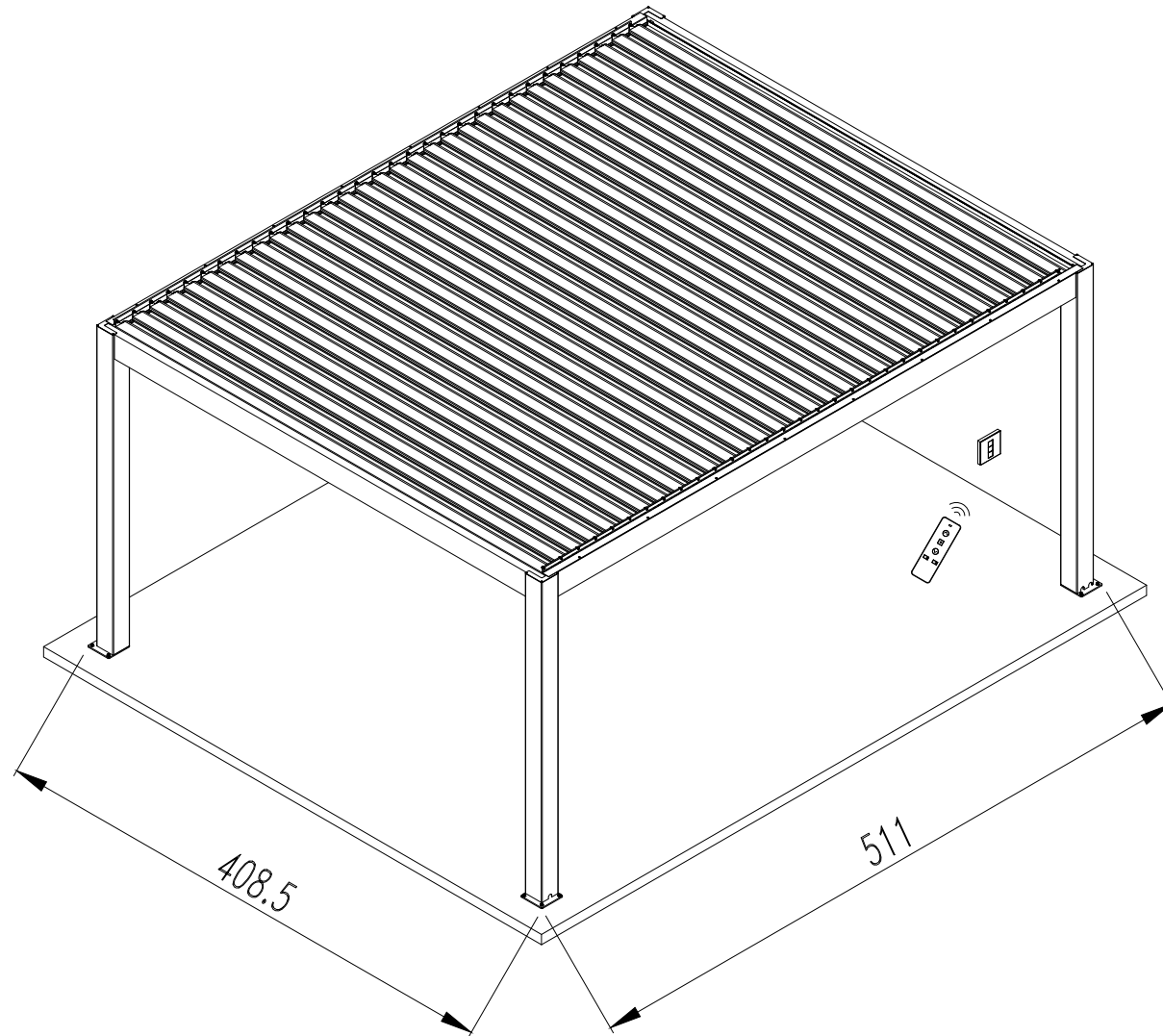


Please read this manual before using your pergola for the first time.
Please keep this manual for future reference.

Pergola

Opening: Electric

Size: 408.5 (Length) x 511 (Width) CM



Installation Notes:

1. Installation requires a minimum of three people: one for measurement and marking, one for installation and one as an assistant.
2. Only concrete floor fasteners are provided. In the case where there is no concrete slab on the ground, it is recommended to make concrete slabs at each column. The concrete slab should be a minimum of 500x500x500mm.
3. After the Pergola frame is assembled, use a square, level and ruler to measure the product level and diagonal to ensure the size of the pergola.
4. Power tools are required: make sure they work properly and follow the safety instructions.
5. Be careful when using sharp tools.
6. Wear protective clothing including safety glasses, helmets and gloves.
7. Don't climb or stand on the roof.

Safety Warning

- It is highly recommended to wear gloves for assembly.
- Do not install pergola during bad weather conditions, such as wind or rain.
- Do not touch any wires with aluminum profiles.
- Always wear protective shoes and glasses when installing pergola.
- Keep all plastic bags out of the reach of children.
- The pergola column must be positioned and fixed on a flat surface.
- Do not lean on the column during the assembly phase.
- Do not let children approach the scene during the assembly phase.
- Don't be near pergola in a storm or typhoon.
- Do not try to climb pergola under the influence of alcohol or drugs.
- When using ladders or similar tools and power tools during the assembly phase, be sure to follow the manufacturer's safety recommendations.
- Any hot tool, such as an electric drill, cannot be in contact with the pergola profile.
- Make sure there are no cables or other cables hidden underground before positioning the column.

General Advice

- This pergola has several components and it takes at least 90 minutes to assemble. The pergola should not be positioned under a tree.
- If you connect the column directly to cement or a similar base, use the pre-punched holes on the supplied base.
- Check the number of profiles and fittings before assembly and use them according to the list of profile fittings for easy assembly.
- Put small pieces such as screws into a container to avoid loss.
- Please pay attention to the position of the transmission on the beam to avoid misplacement.
- Regularly clean leaves, snow or other objects off the pergola.

Maintenance and Repair

- To clean pergola, use a mild detergent and rinse with water. Do not use acetone or abrasive cleaning products to clean the surface of the aluminum profile.

Protection and Installation Tools

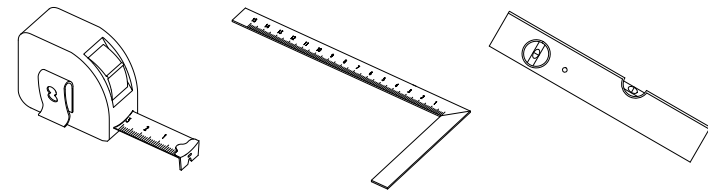
Protective Equipments:

1. Helmet
2. Gloves
3. Emergency first-aid kit
4. Protective glasses



Measuring Instrument:

1. Tape measure (5 metres or more)
2. Square ruler
3. Level



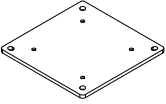
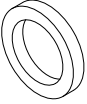
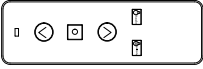
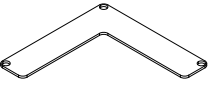
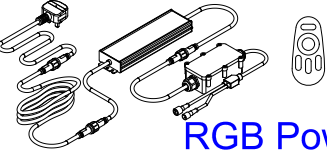
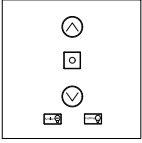
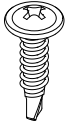
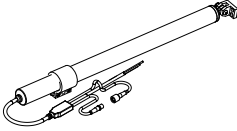

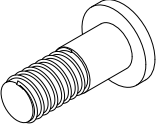
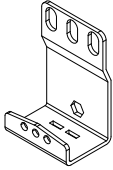
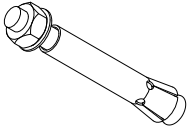
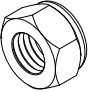
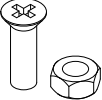
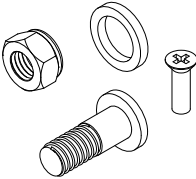
Tools:

1. 2 metre ladder (1.5 metres or more)
2. 13mm hex wrench
3. 17mm hex wrench
4. Electric drill
5. Electric drill bit (10 mm drill bit)
6. Marker or pencil
7. Rubber hammer
8. Silicon and glue gun

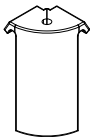
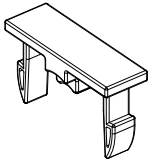


Silicon

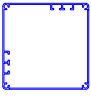
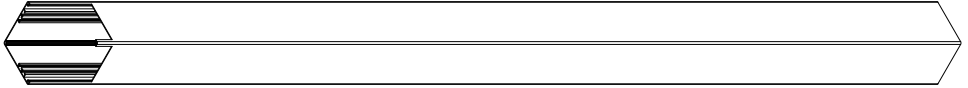
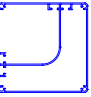

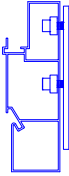
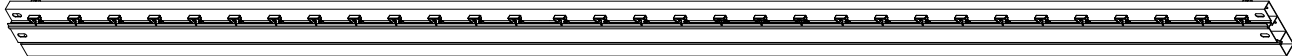
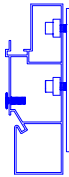
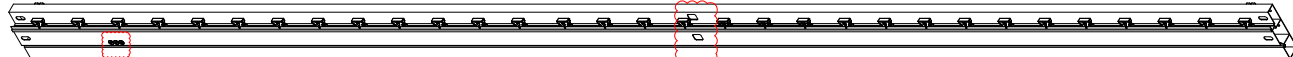
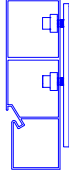
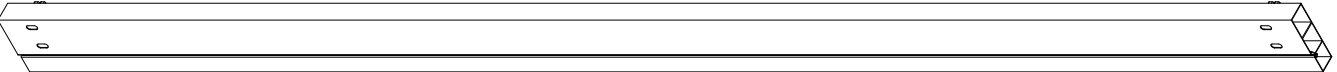
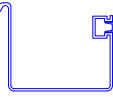
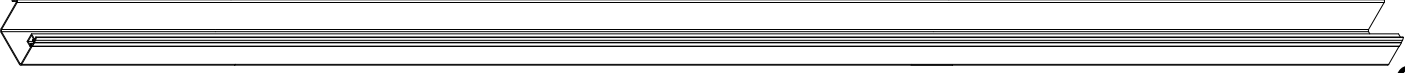
Accessories & Screws List

①		x 4	⑥		x 62	⑬		x 1
Base Plate			Plastic Spacer			Remote Control		
②		x 4	⑦		x 1	⑭		x 1
Post Top Cover			⑧		RGB Power Wire	x 1	Receiver	
			⑨		RGB Remote Control	x 1		
③		x 20	⑩		x 1	⑮		x 2
ST4.2x25 Screw			Motor			Wire casing cover		
④		x 62	⑪		x 1	⑯		x 16
M8x22.4 Bolts			Motor Bracket			Anchor Bolt		
⑤		x 62	⑫		x 3	⑰		x 1
M8 Locking Nut			Screw and Nut			Accessories as back up		

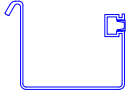


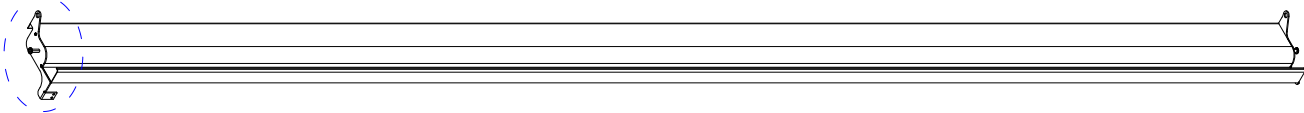
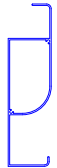
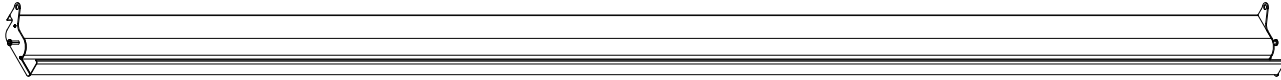

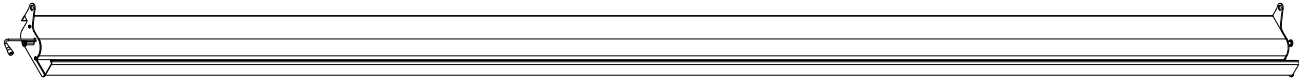
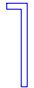

Accessories & Screws List

18	 x 1 Rubber Cover				
19	 x 62 The Upper Clip				

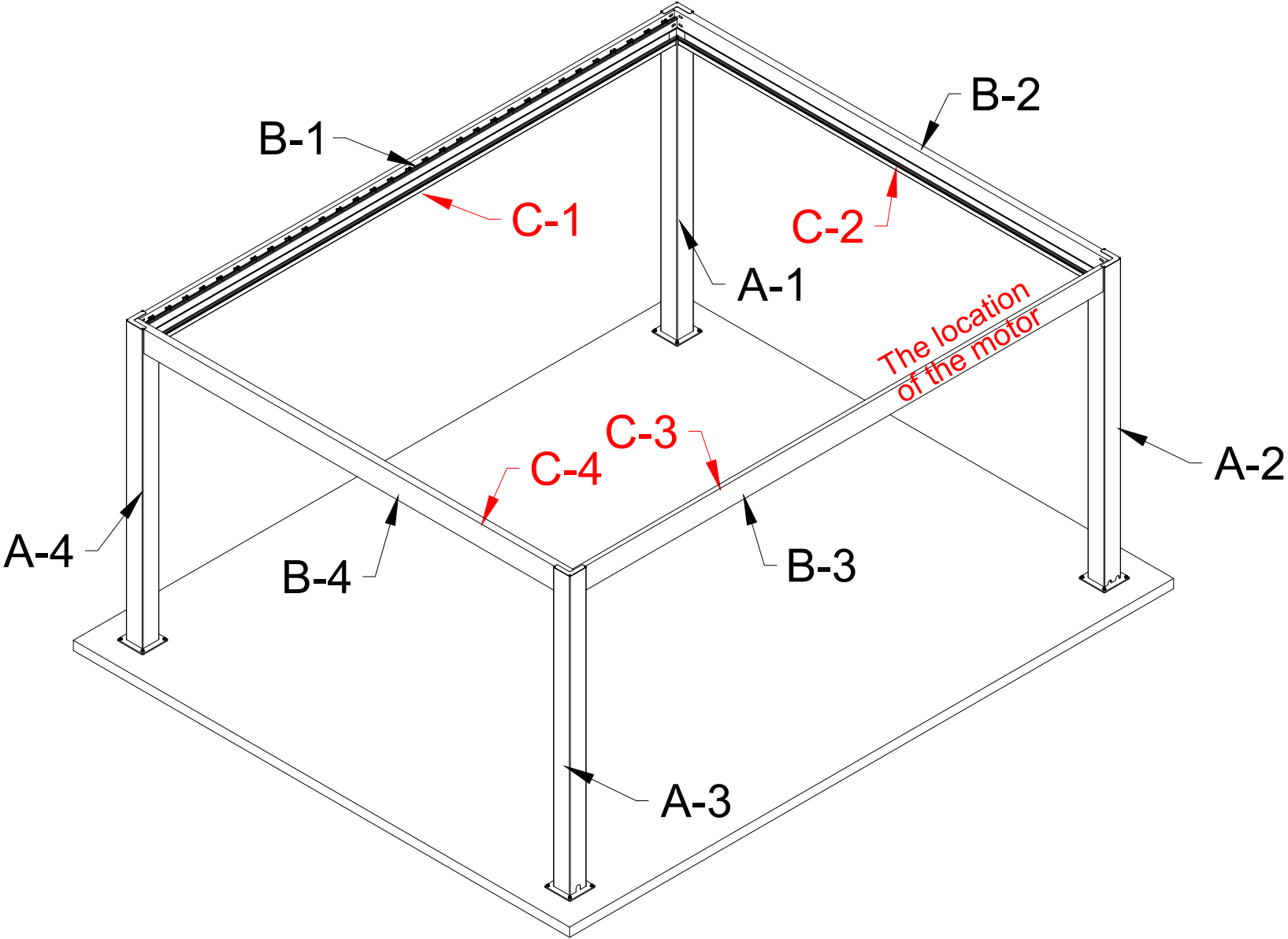
Profile List

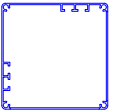
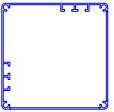
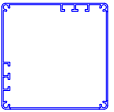
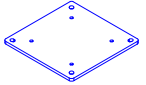
<p>A-1 A-3 A-4</p>			<p>x 3 Post</p>
<p>A-2</p>			<p>x 1 Post with wires channel</p>
<p>B-1</p>			<p>x 1 Beam</p>
<p>B-3</p>			<p>x 1 Beam</p>
<p>B-2 B-4</p>			<p>x 2 Beam</p>
<p>C-1 C-3</p>			<p>x 2 Gutter</p>

Profile List

<p>C-2 C-4</p>		 <p style="text-align: right;">x 2 Gutter</p>
<p>D-1</p>		 <p style="text-align: right;">x 1 Driving Blade</p>
<p>D-2a</p>		 <p style="text-align: right;">x 24 Common Blade</p>
<p>D-2b</p>		 <p style="text-align: right;">x 6 LED Light Blade</p>
<p>E</p>		 <p style="text-align: right;">x 2 Control Rod</p>

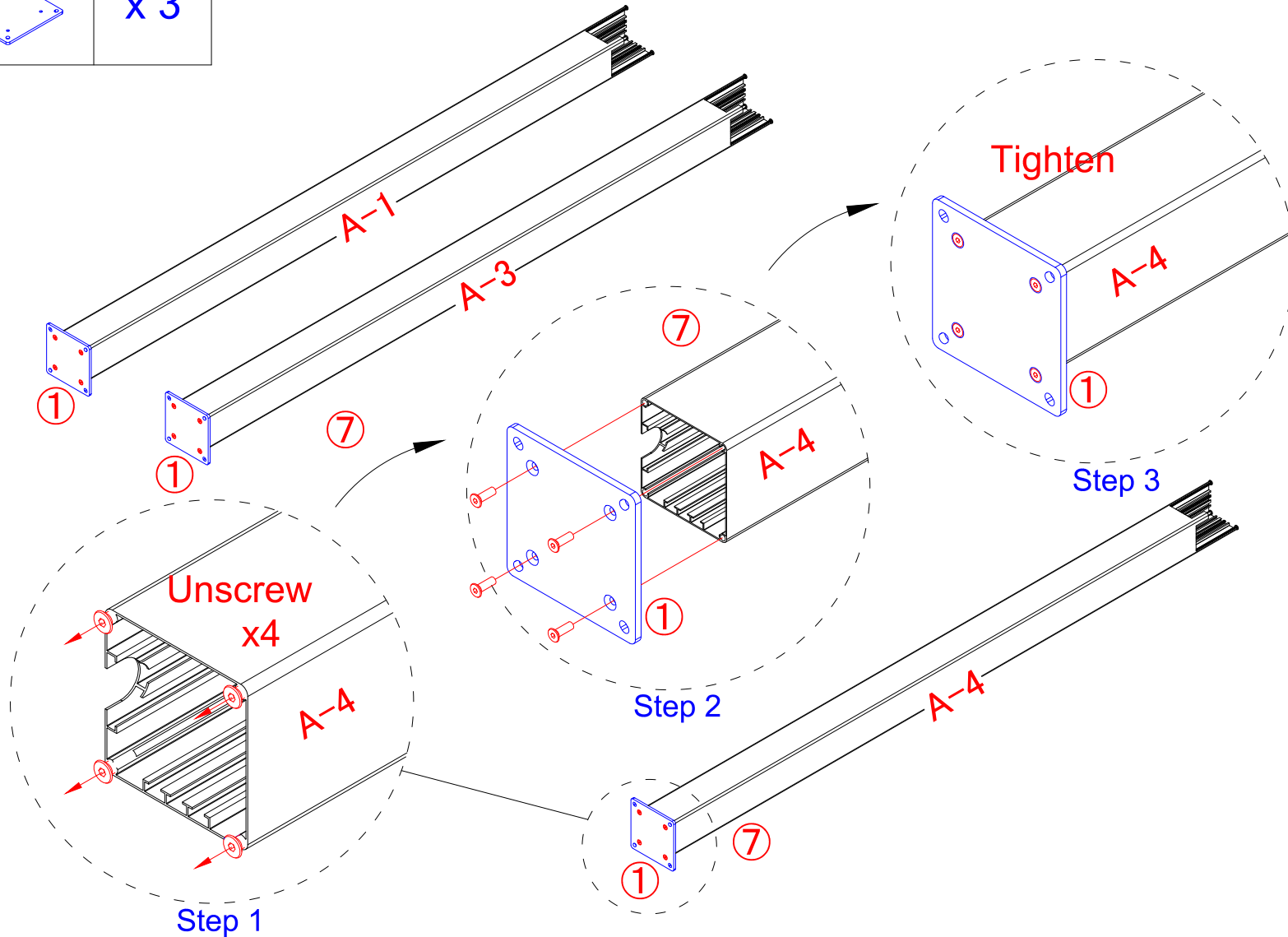
Aluminum Profiles Lay Out Drawing

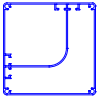
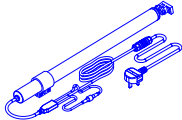
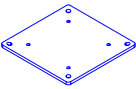
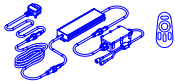


A-1		x 3
A-3		x 3
A-4		x 3
①		x 3

Assemble the Framework

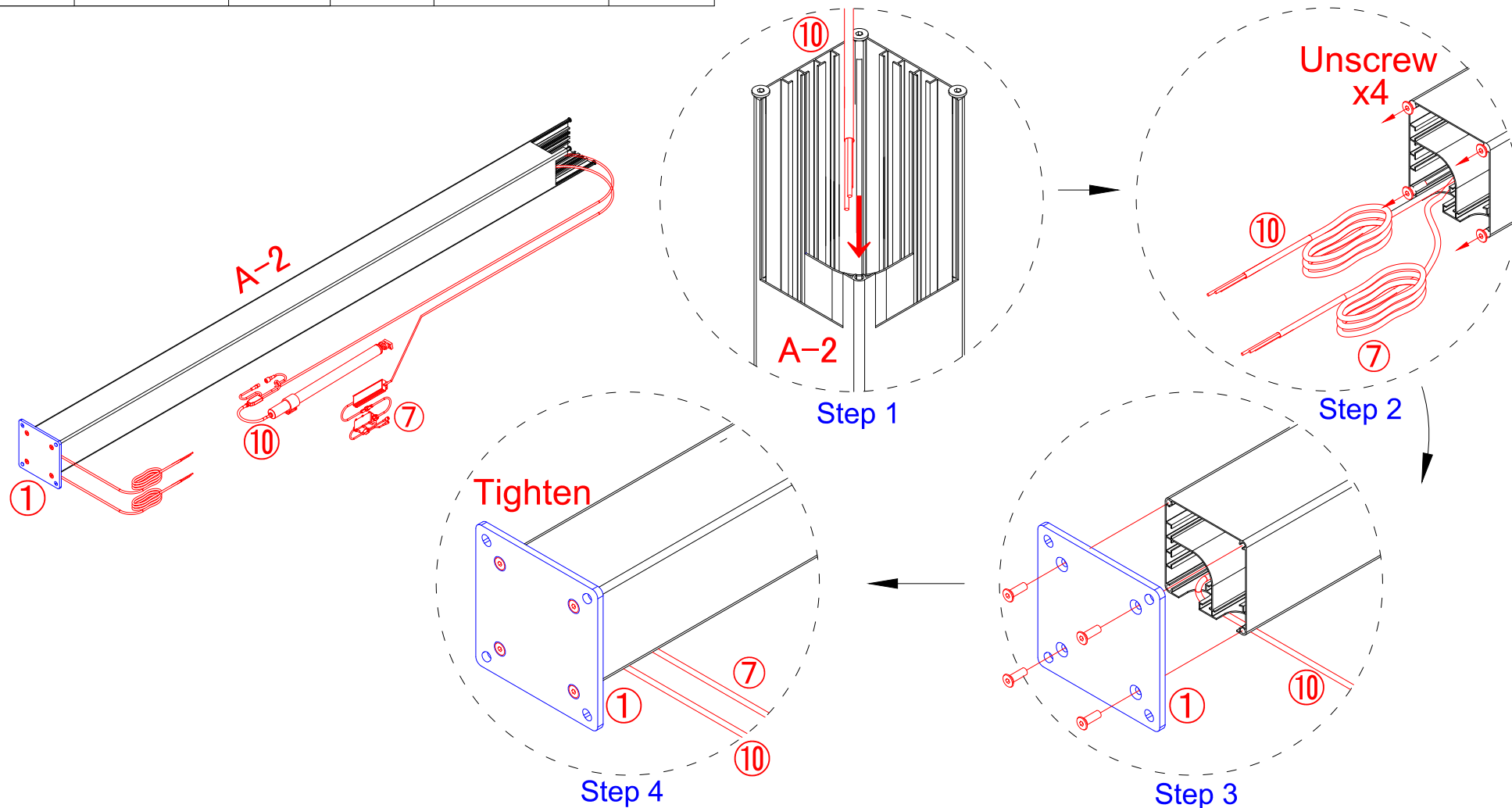
1) Unscrew the bolts pre-installed on the bottom of the Post (A-1, A-3, A-4,), align the Base Plate ①, and lock the Base Plate ① to the post with the unscrewed bolts.

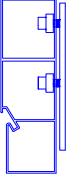


A-2		x 1	⑩		x 1
①		x 1	⑦ ⑧ ⑨		x 1

Assemble the Framework

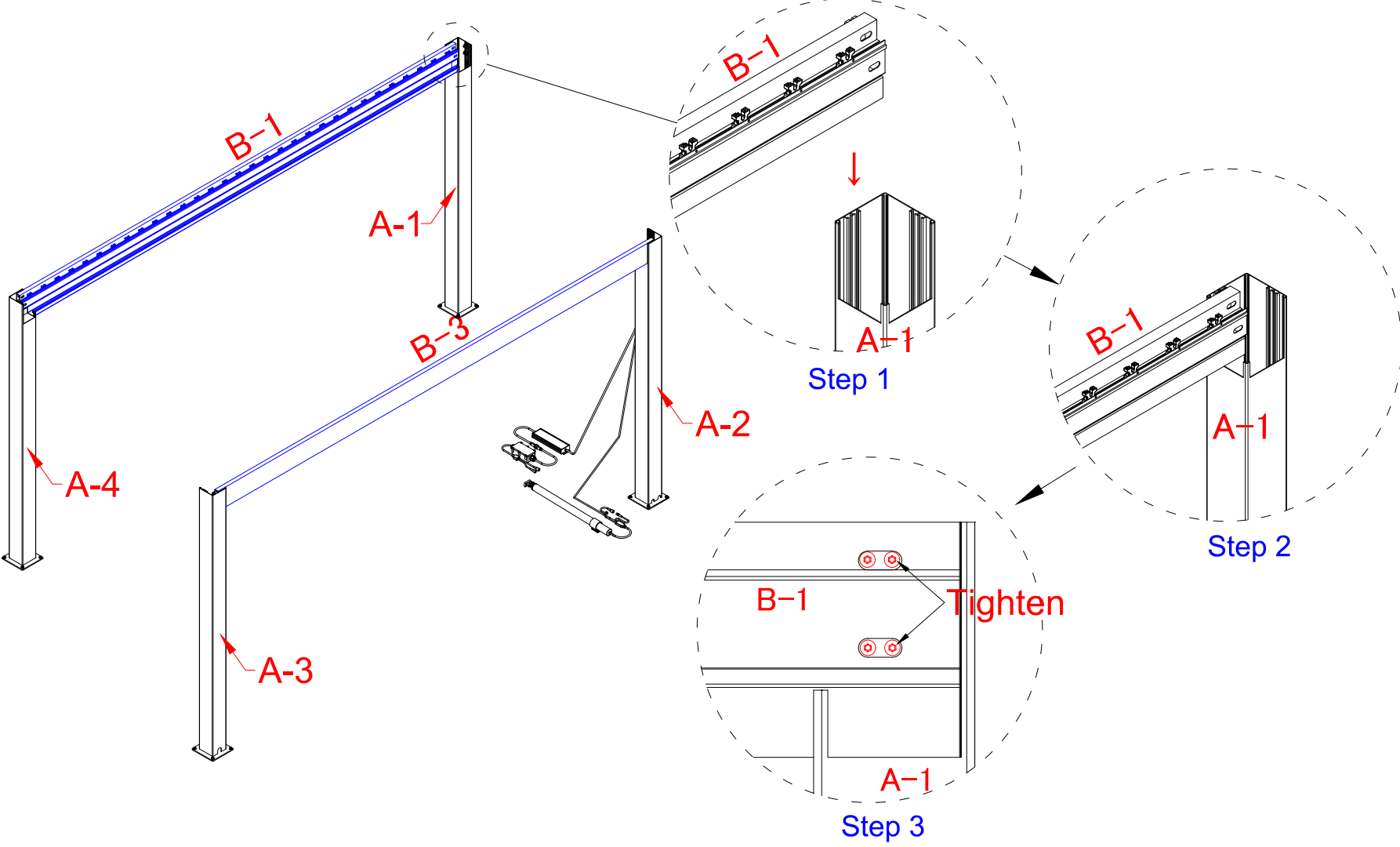
2) As shown, slide the motor plug from the top of the post into the curved cavity on the inside of the post and pull it out from the bottom. Unscrew the bolts pre-installed on the bottom of the Post (A-2), align the Base Plate ①, and lock the Base Plate ① to the post with the unscrewed bolts.



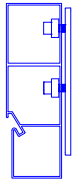
B-1		x 1
B-3		x 1

Assemble the Framework

3) As shown, unscrew the bolts pre-installed on the top of the Post (A-1, A-2, A-3,A-4,) then fix the beam (B-1, B-3) on the four posts (insert the connectors at both ends of the beam into the grooves of the two posts respectively).and tighten the bolts on the beam.



B-2



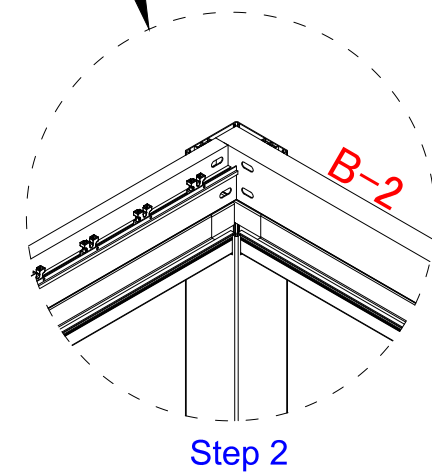
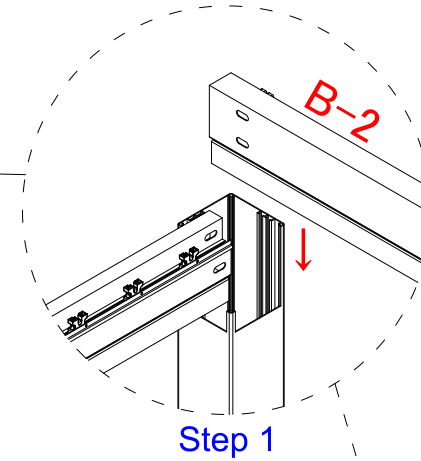
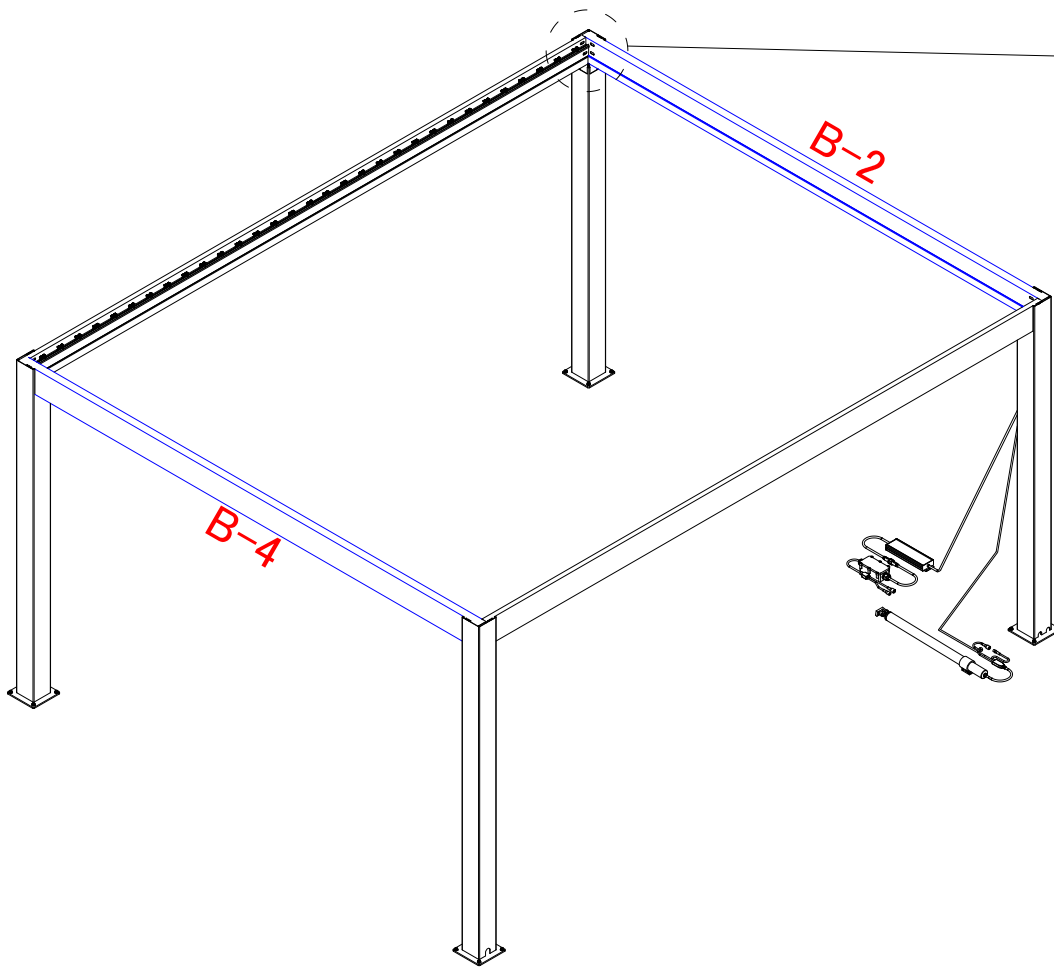
x 1

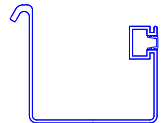
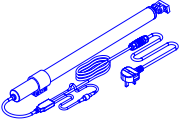
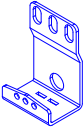
B-4

x 1

Assemble the Framework

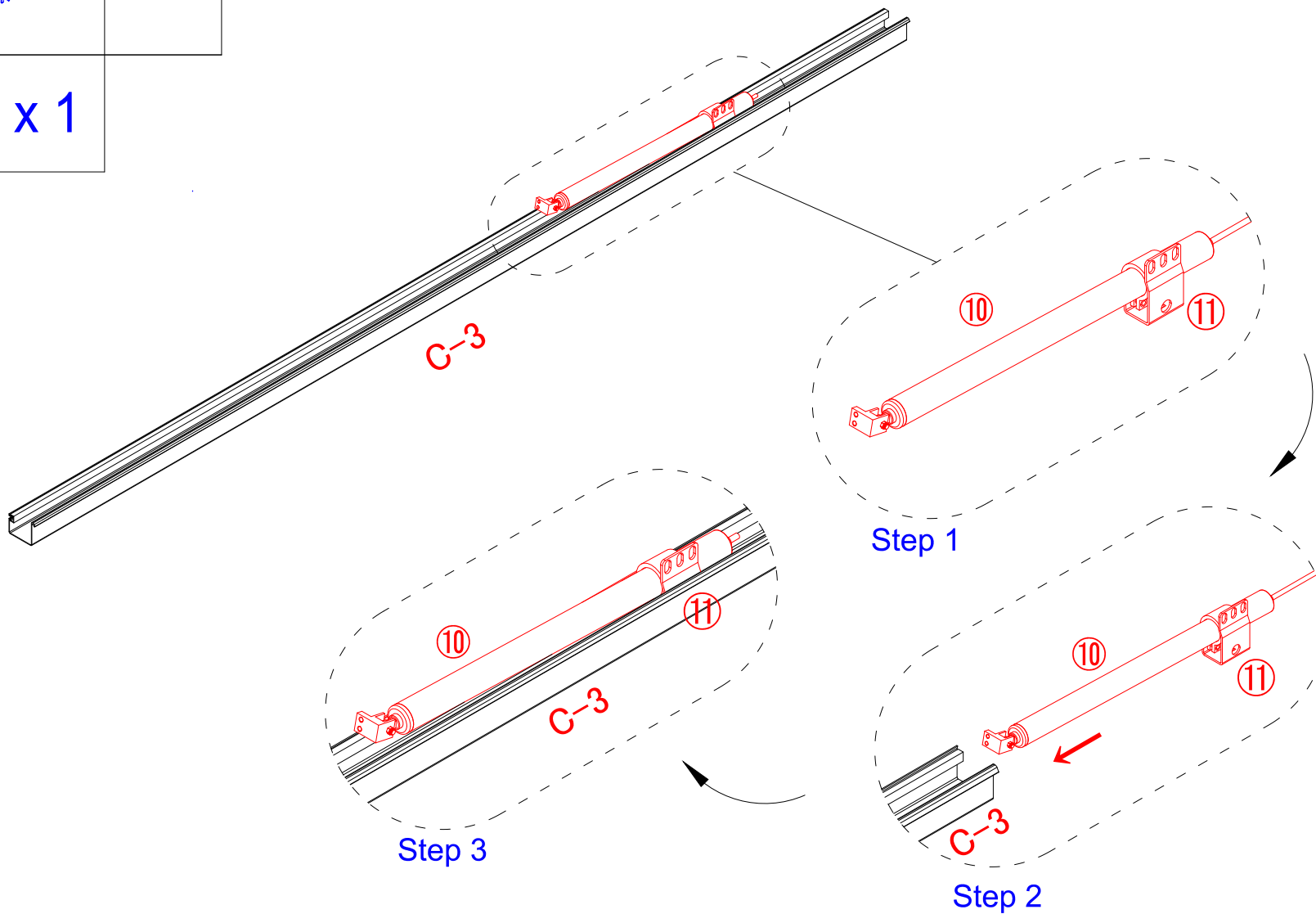
4) As shown, fix the beam (B-2, B-4) with hook on the four posts (insert the connectors at both ends of the beam into the grooves of the two posts respectively).



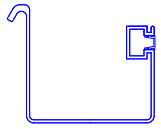
C-3		X 1
⑩		X 1
⑪		X 1

Mounting Motor

1) As shown, firstly install the Motor ⑩ on the Motor Bracket ⑪ and then insert them into the long gutter (C-3).



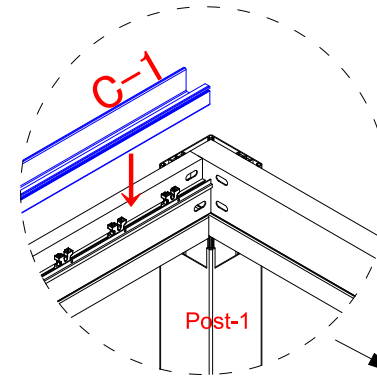
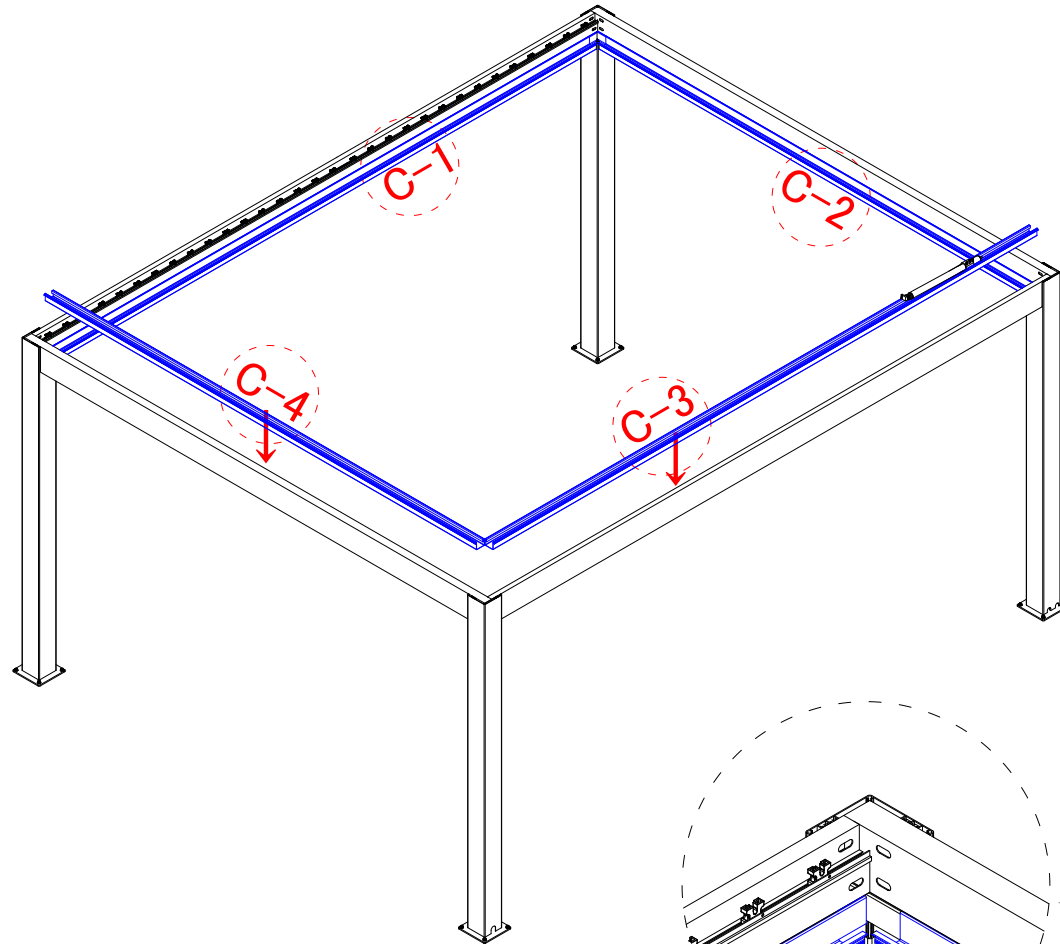
C-1
~
C-4



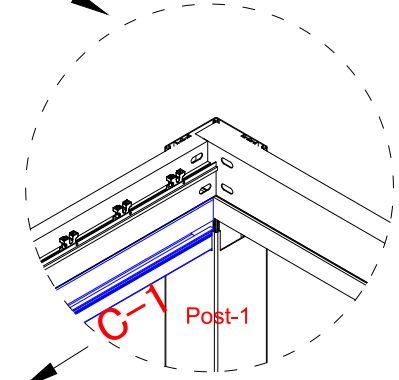
x 4

Installing the Gutter

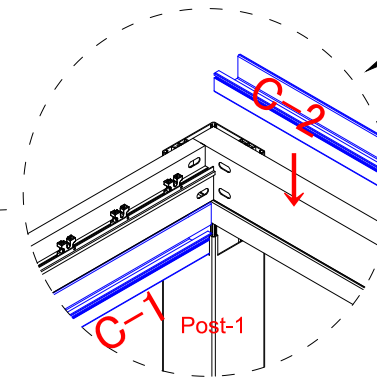
1) As shown, hook the gutters to the beam (the gutter has a hook, the beam has a groove).



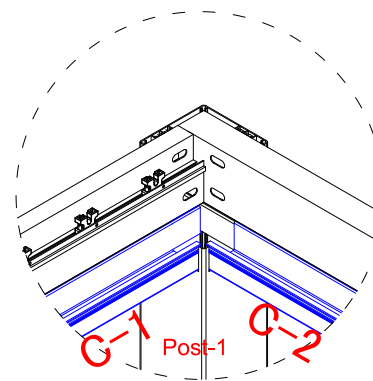
Step1



Step2

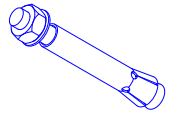


Step3



Step4

16



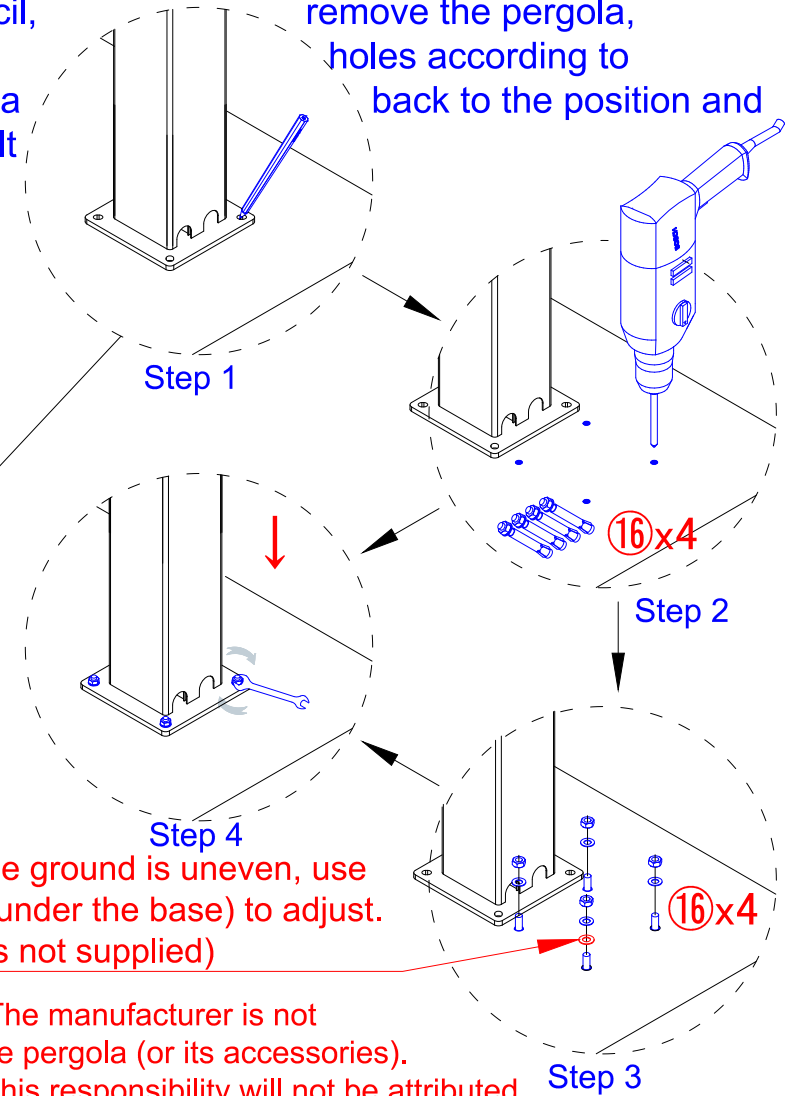
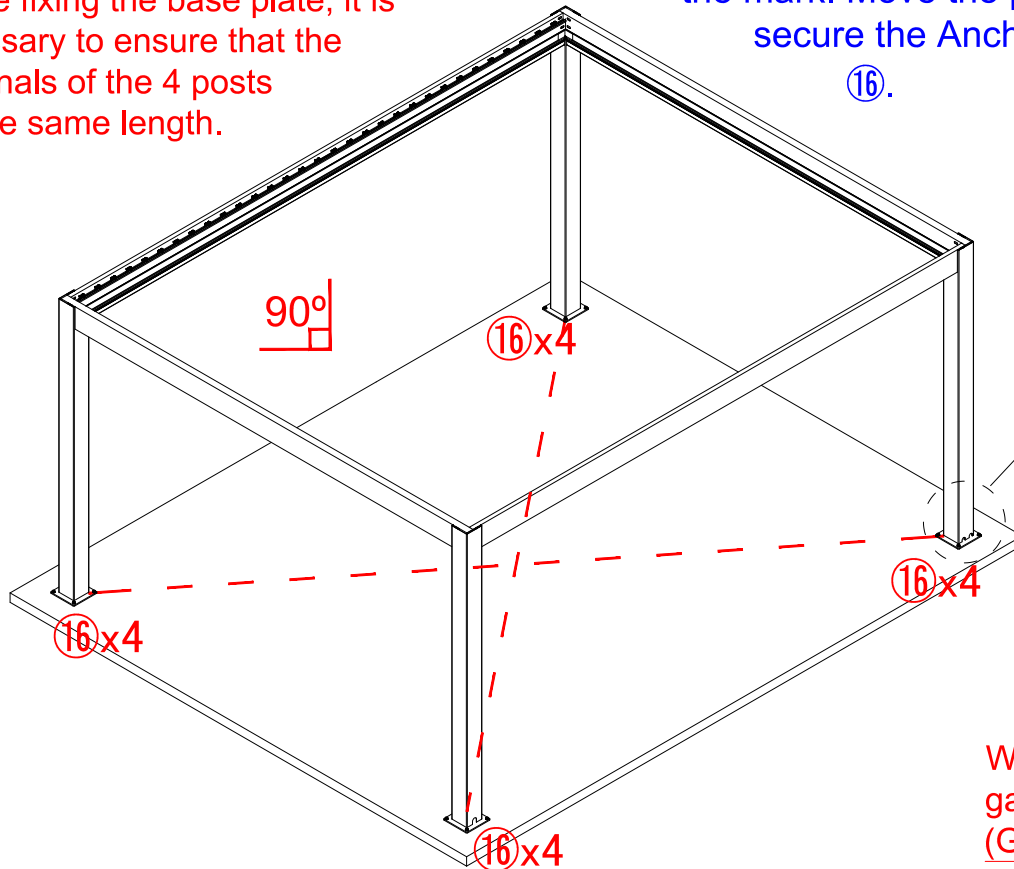
x 16

Fix Pergola to the Ground and Wall

- 1) Use the 16 Anchor bolts provided, when the ground is concrete floor. If the ground is not concrete floor. You will need to find another solution to bolt your pergola down onto your desired surface.
- 2) Move the pergola to the appropriate installation position, then mark the position of the two posts with the pencil, and use the electric drill to make 16 holes according to the mark. Move the pergola back to the position and secure the Anchor Bolt

16.

Note:
Before fixing the base plate, it is necessary to ensure that the diagonals of the 4 posts are the same length.

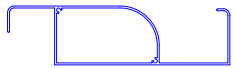


When the ground is uneven, use gasket (under the base) to adjust. (Gaskets not supplied)



It is the responsibility of the user to ensure that the pergola is fixed down. The manufacturer is not responsible for damage caused by natural disasters or special events to the pergola (or its accessories). Any pergola that is not fixed may be blown away and cause damage, and this responsibility will not be attributed to the manufacturer. Check the pergola regularly to ensure it remains stable and firmly attached to the ground. A pergola that detaches from its position and incurs or causes damage will not be covered under warranty.

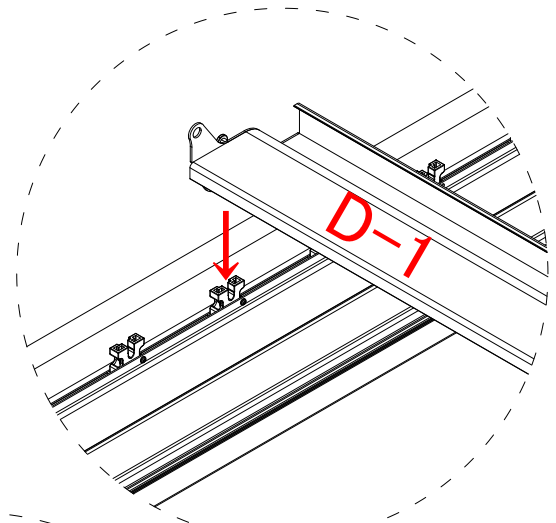
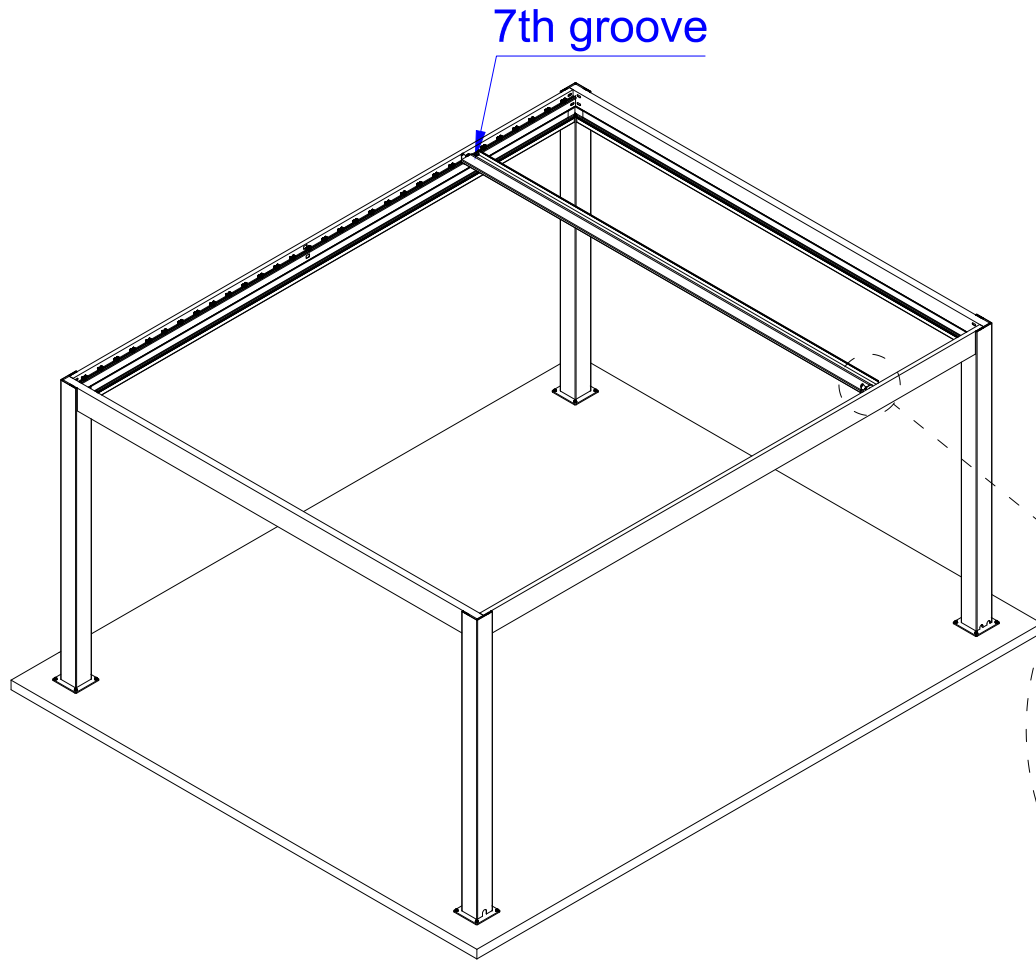
D-1



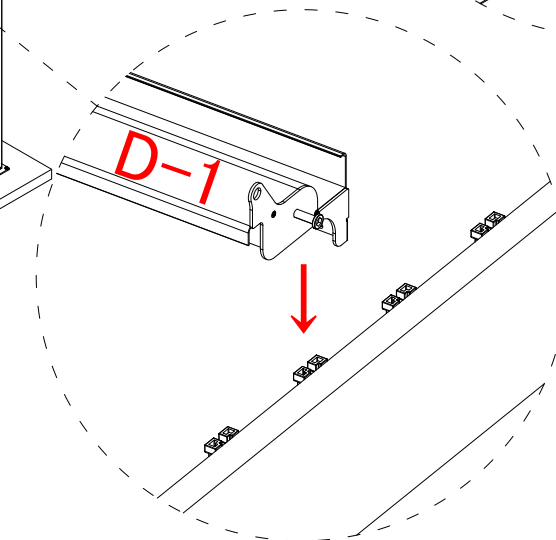
x 1

Installing Louvre Blades

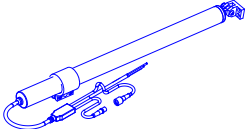
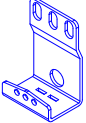
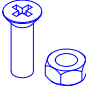
1) As shown, the Driving Blade D-1 clicks directly into the groove.



Step 2



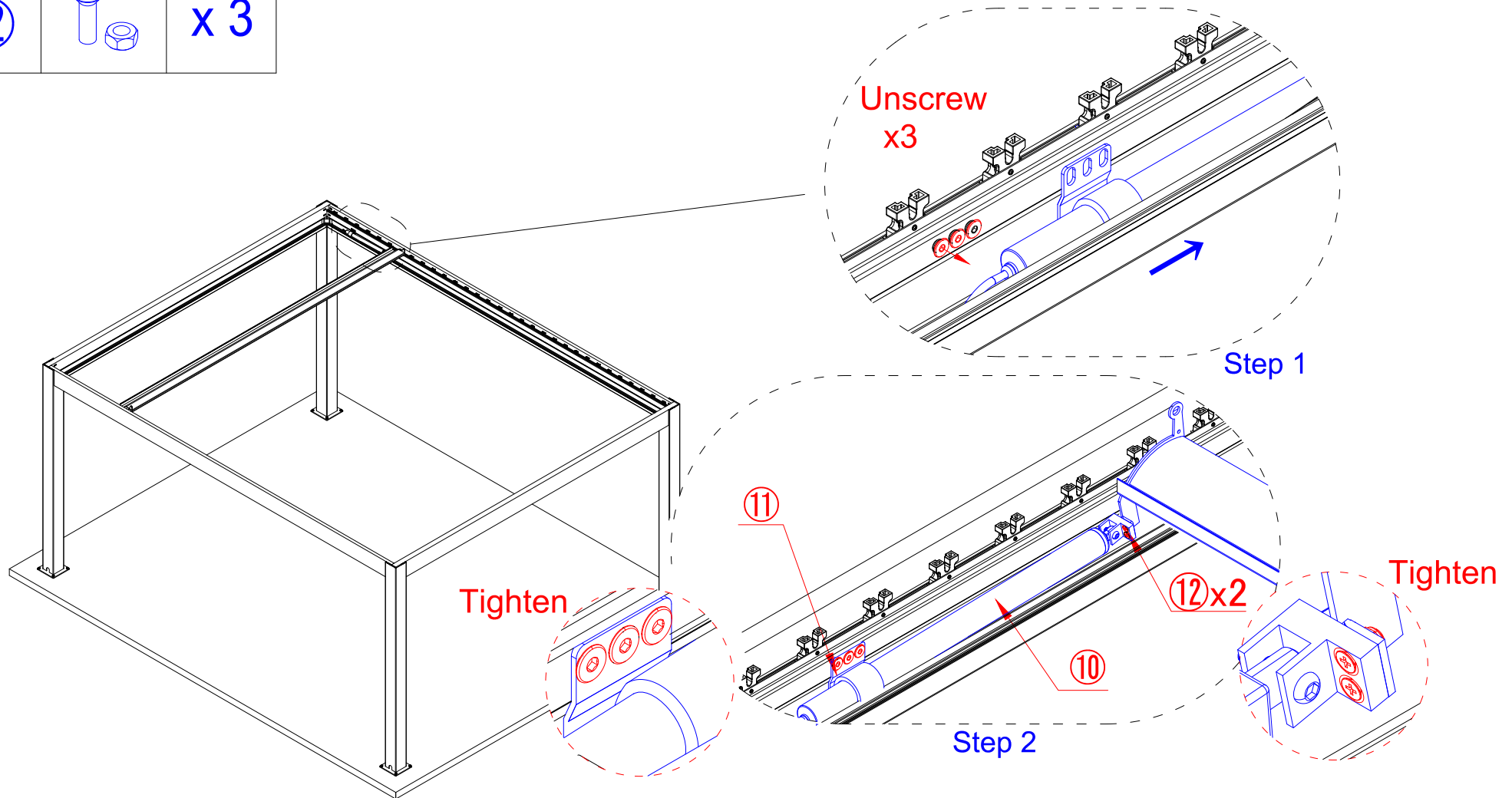
Step 1

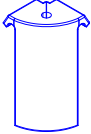
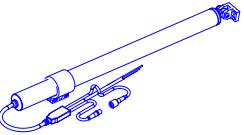
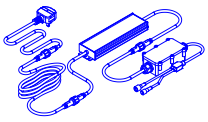
⑩		x 1
⑪		x 1
⑫		x 3

Mounting Motor

2) As shown, unscrew the bolts on the beam, move the motor close to this position and fix the motor bracket ⑪ to the beam with bolts.

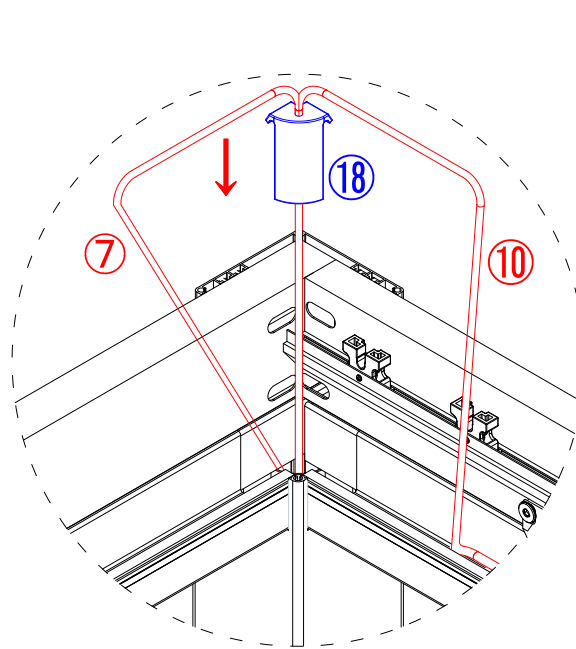
3) Connect the Motor ⑩ arm bracket to the end cap of Driving Blade D-1.



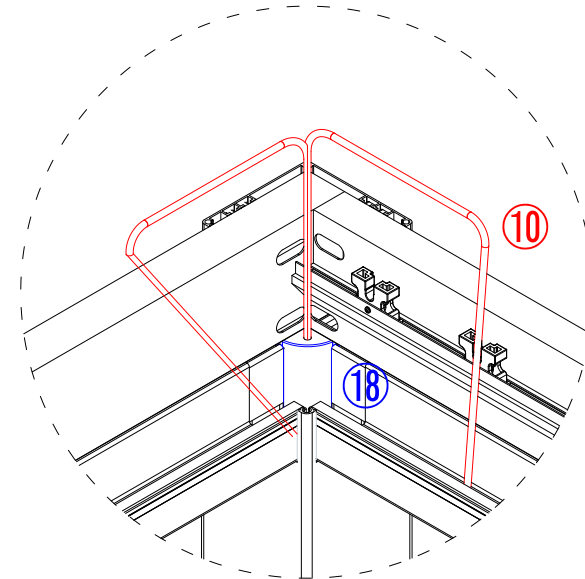
⑱		x 1
⑩		x 1
⑦		x 1

Installing Wire

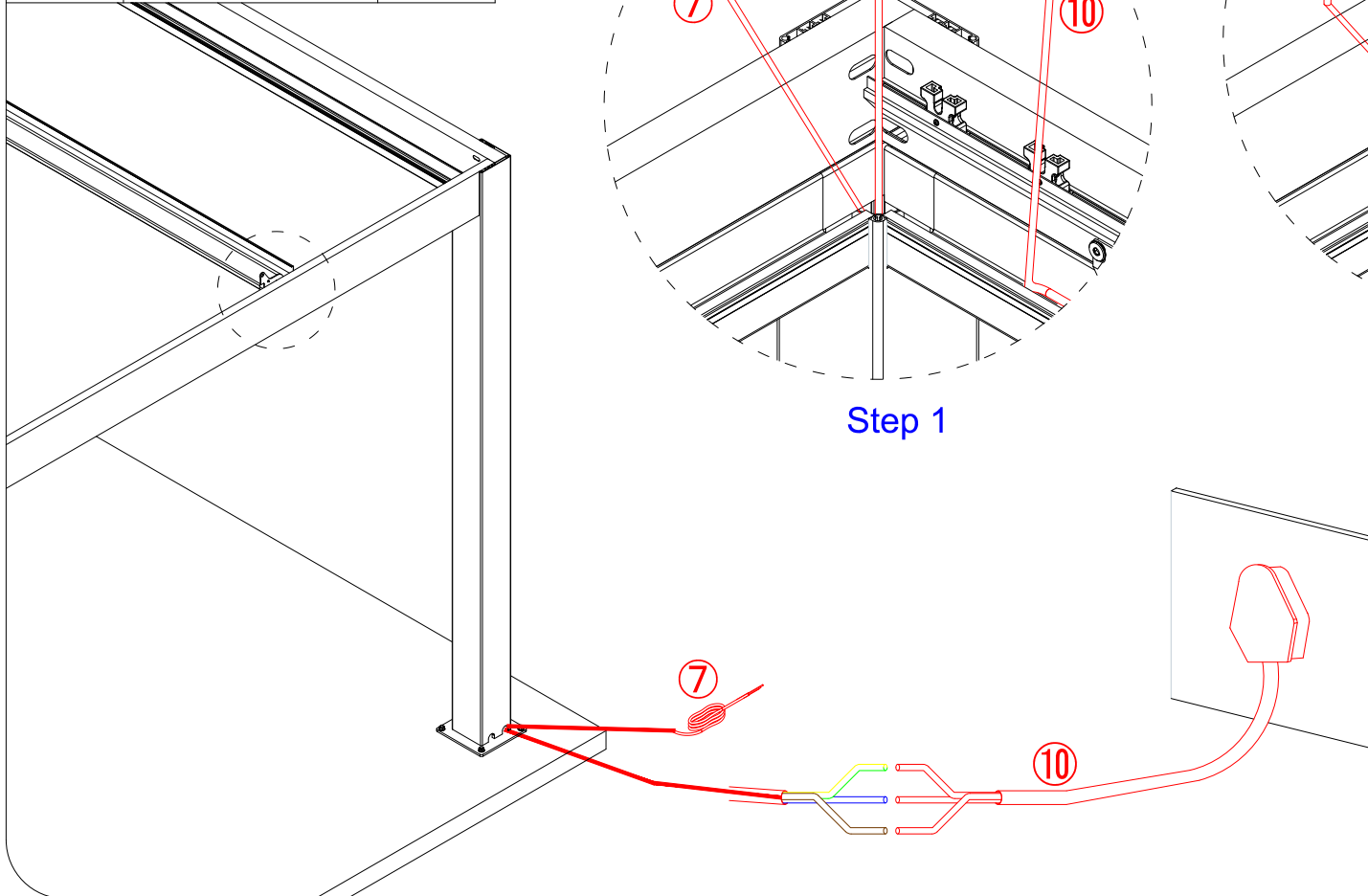
1) As shown in the picture, when arranging the motor wires, please put the wires can be plugged into the rubber cover ⑱, and then the rubber cover can be hooked on the beam (the rubber cover has hooks and the beam has grooves)



Step 1



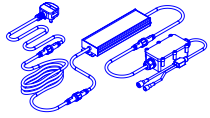
Step 2



Local Plug & Socket

1. Do not put near water
2. Plug: 10A, 110 - 240V




7

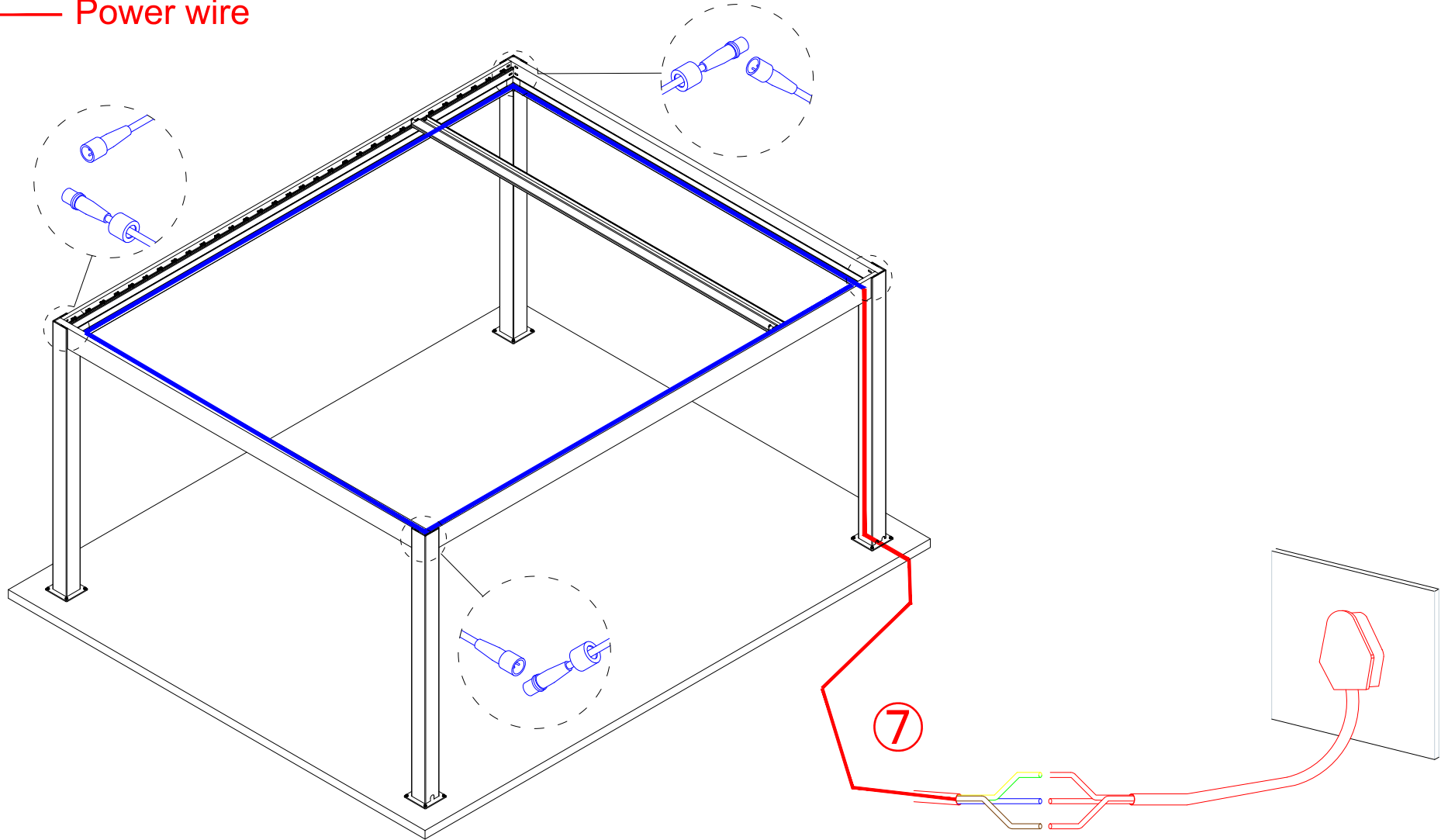


x 1

Installing Wire

2) As shown, connecting the RGB power wire.

  RGB strips
 Power wire

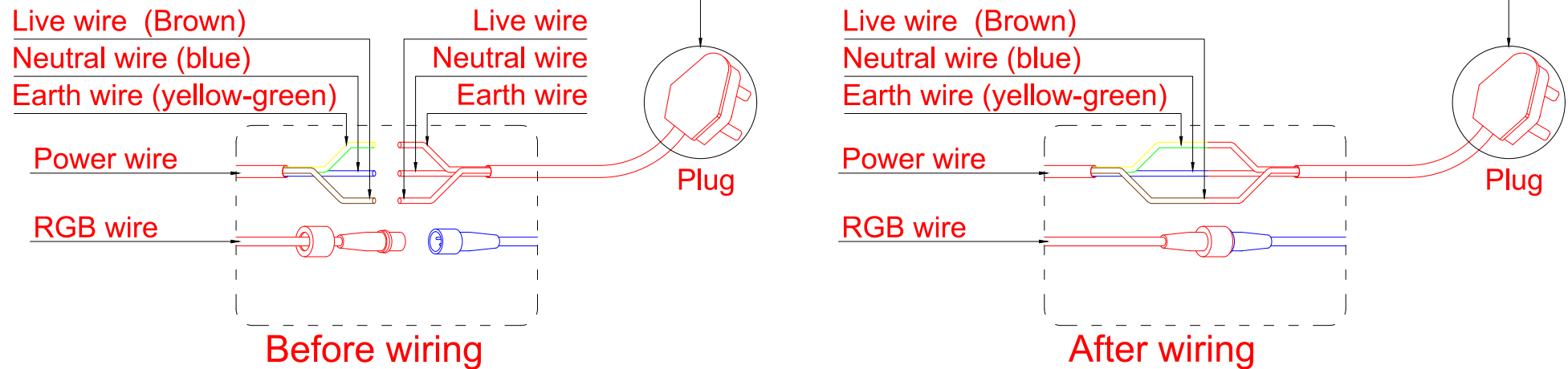


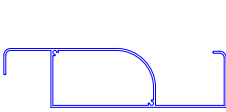
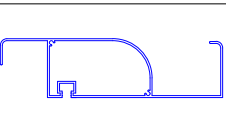


Note: Please follow the steps to connect the wire correctly, otherwise the motor will be faulty.



The plug is not supplied

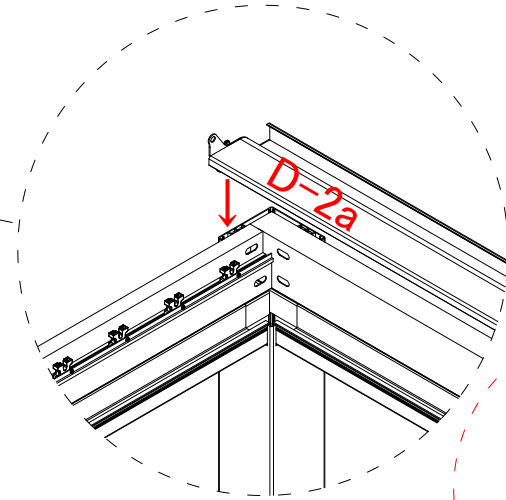
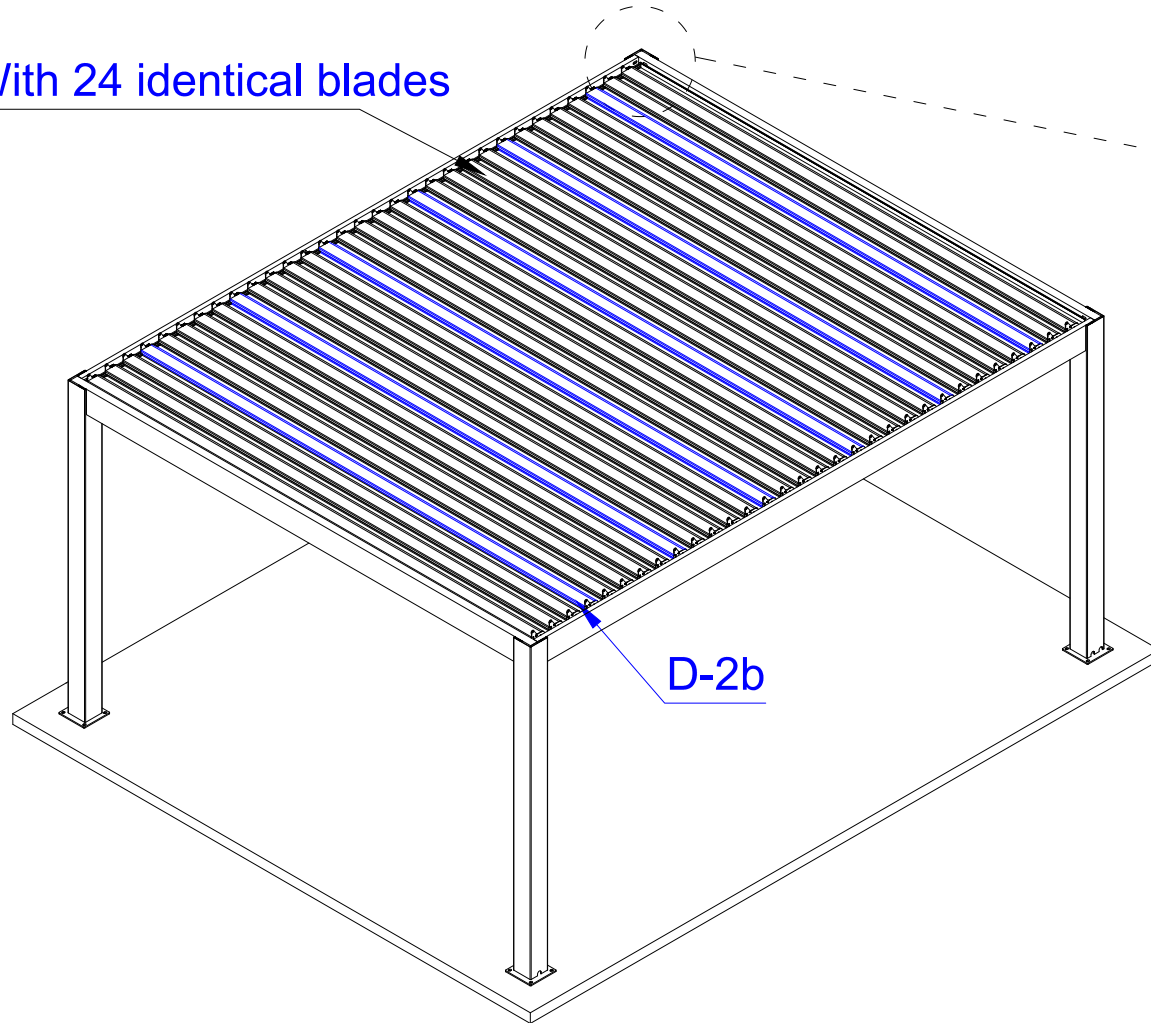


D-2a		x 24
D-2b		x 6

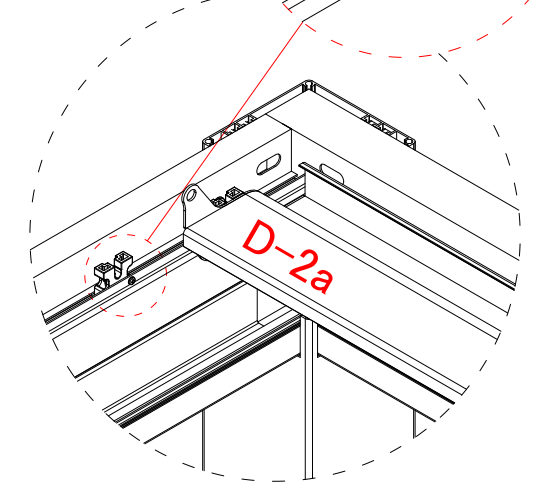
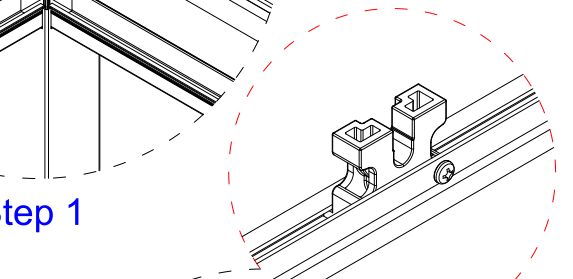
Installing Louvre Blades

1) There are 31 Blades, including 24 Common Blade D-2a, 6 LED Light Blade D-2b and 1 Driving Blade D-1.

With 24 identical blades



Step 1



Step 2

19

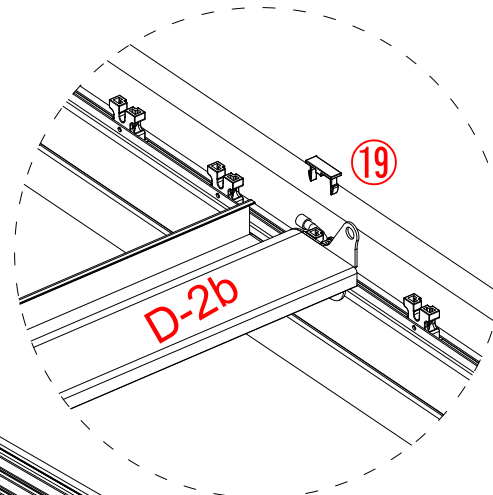


x 62

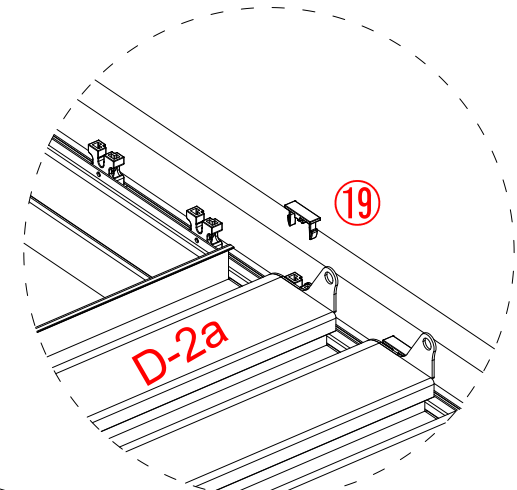
2) As illustrated, lock each louver with 62 Upper Clip 19.



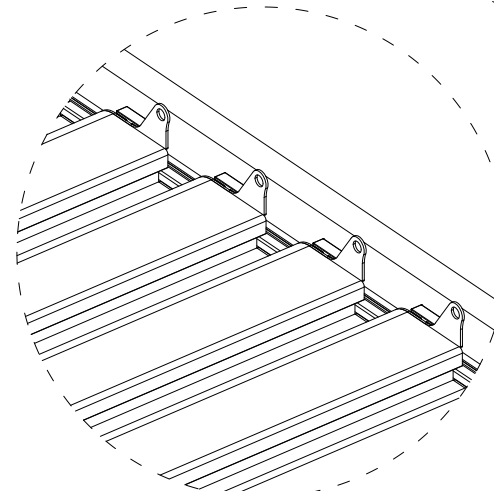
Please note that the light strip wires must be routed through the clips when installing the light strip blinds.



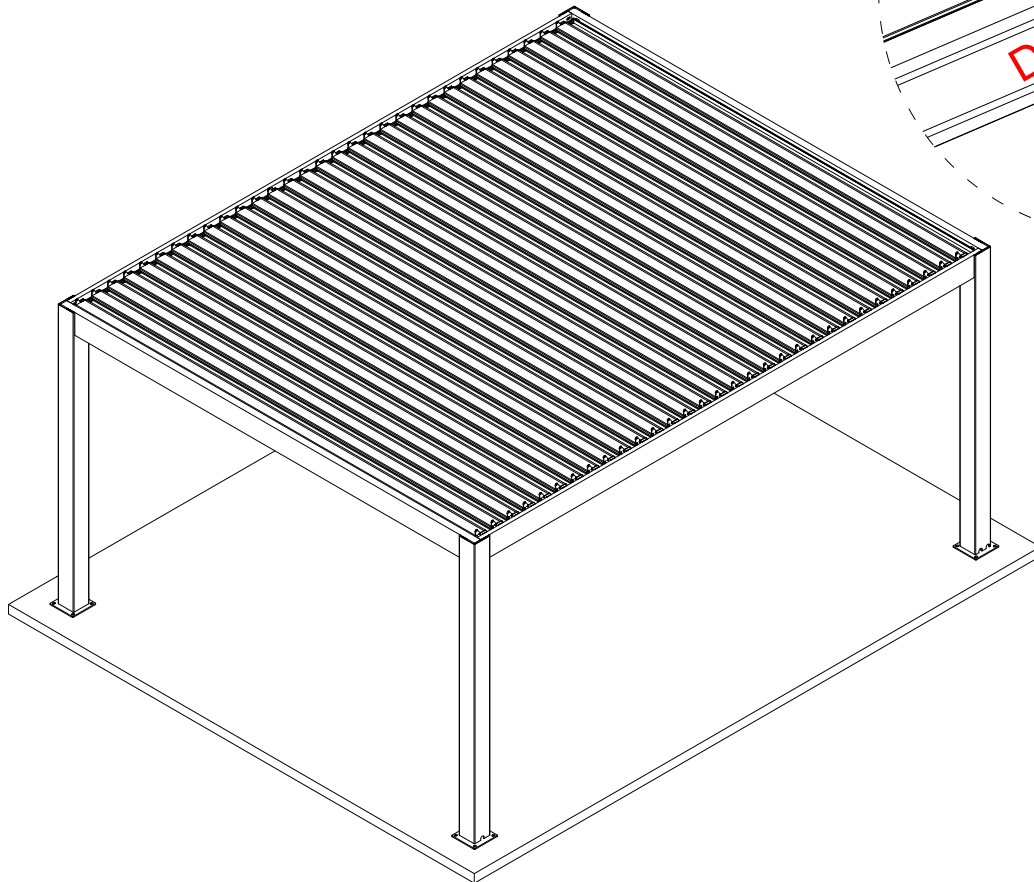
Step 1





Step 2



Step 3

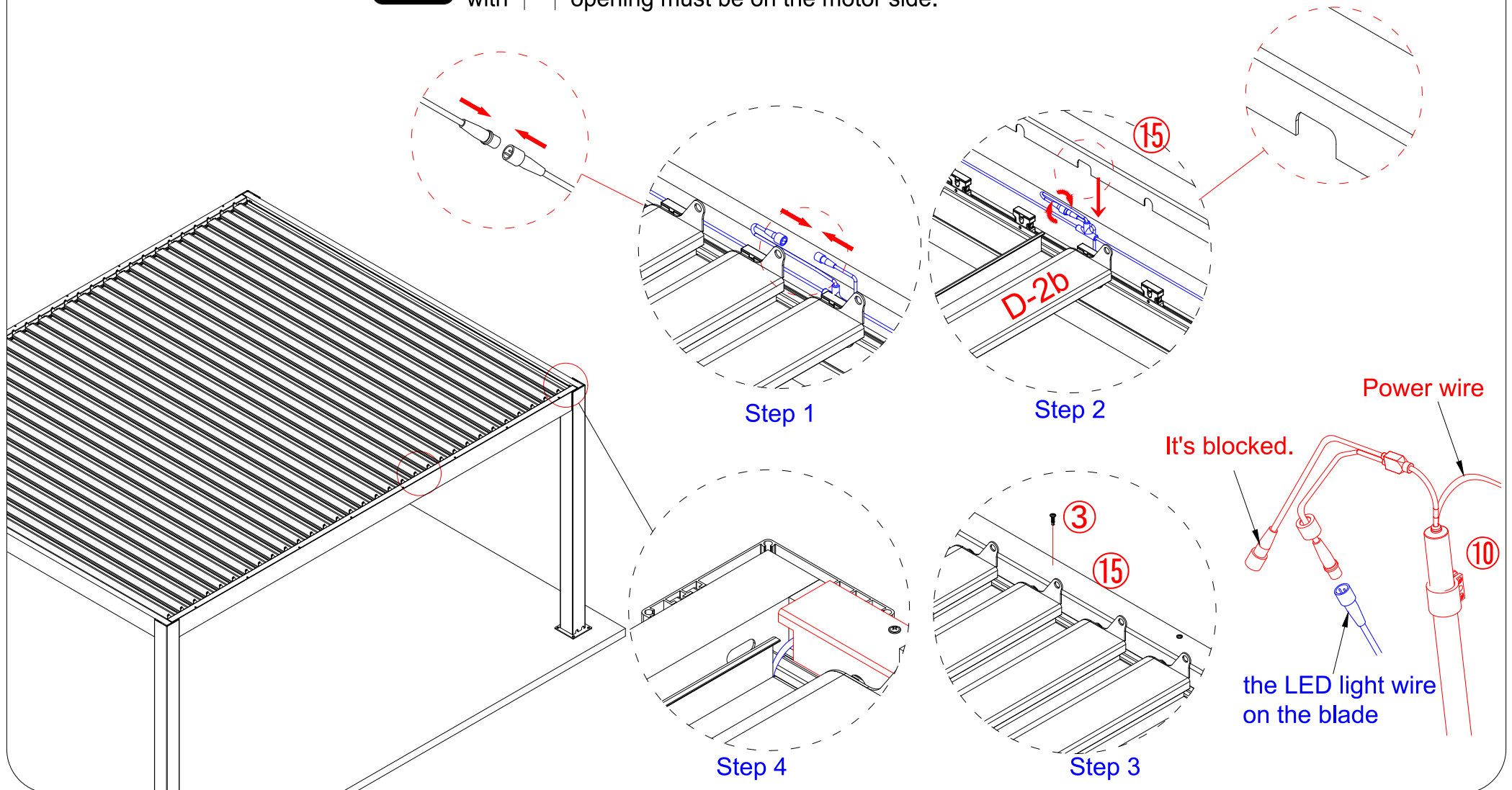


⑮		x 2
③		x 20

- 3) Assemble the LED light wire from the louver blade with the LED and hide it in the wire slot, then secure each Wire casing cover ⑮ with 20 ST4.2x25 Screw ③.
- 4) Connecting the louvre strip cord to the motor



Note: The wire strip for the louvre lamp and the concealed wire cover with "┌" opening must be on the motor side.

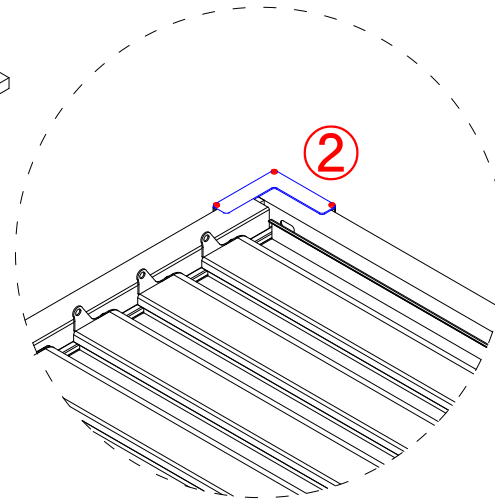
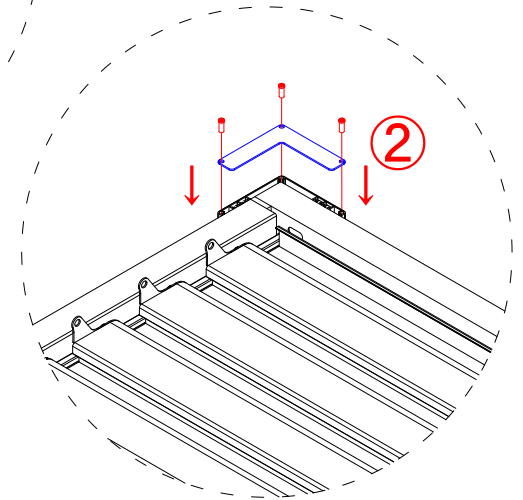
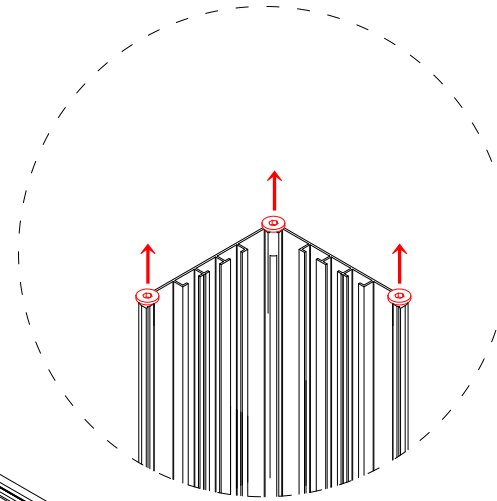
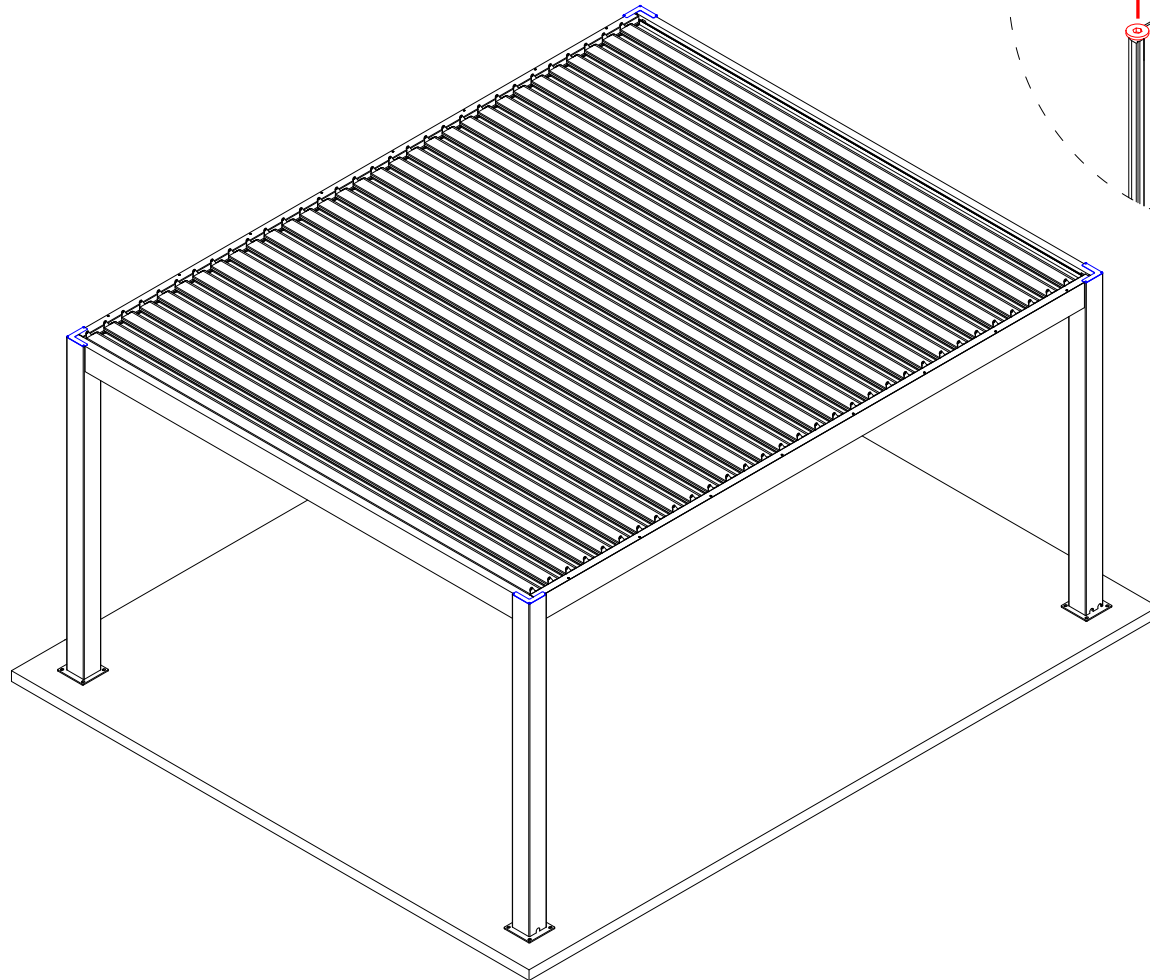






②



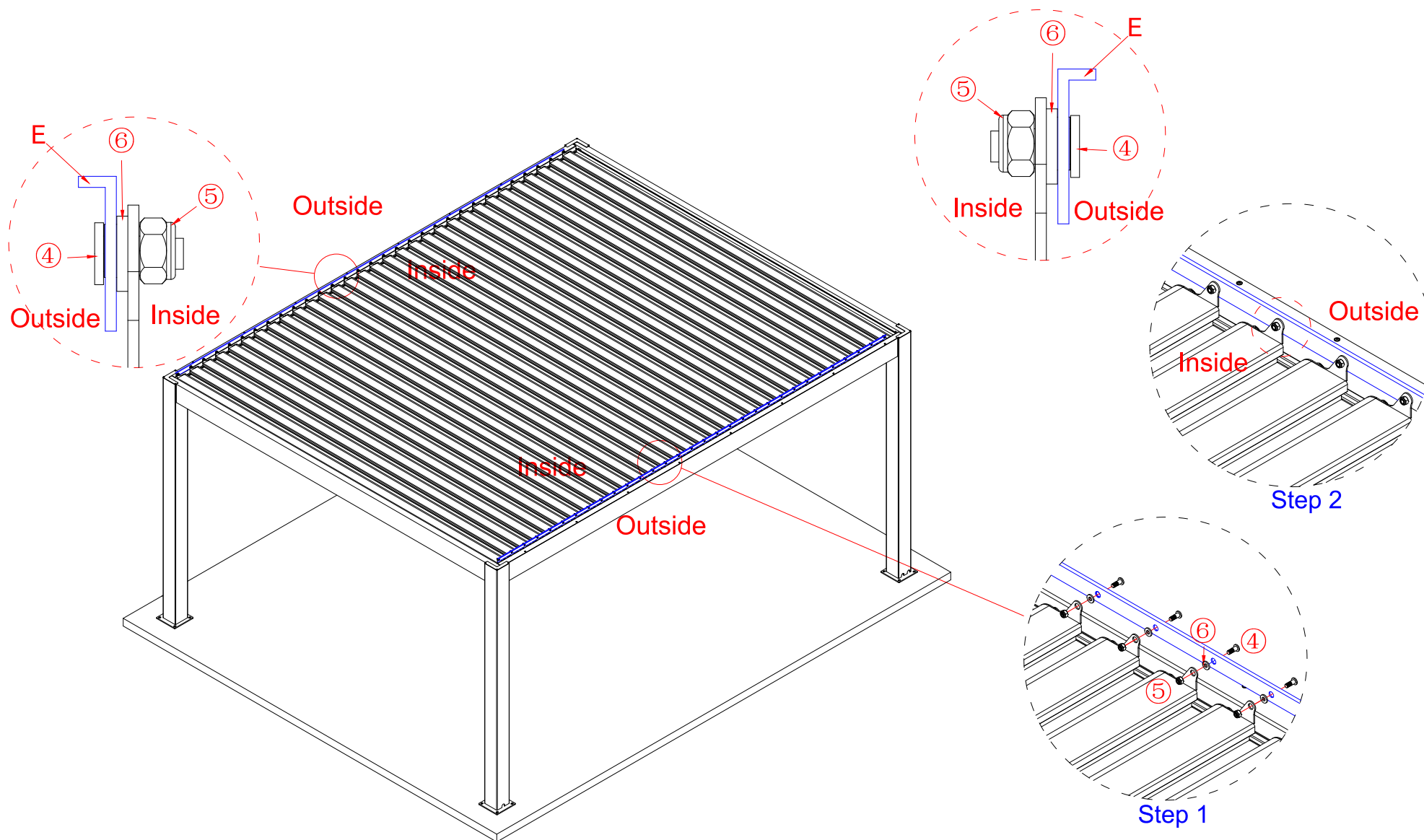
x 4

5) Fixed the post top cover ② on the post with the unscrewed bolts and tighten the bolts on the beam.

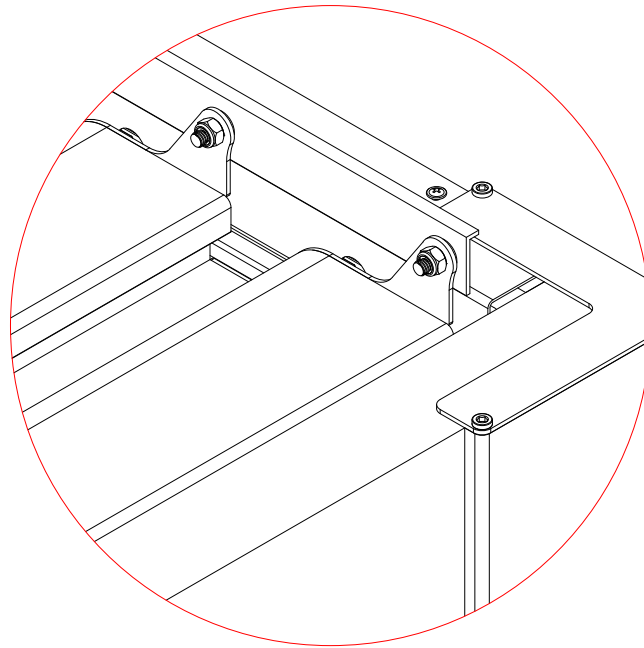


E		x 2	⑤		x 62
④		x 62	⑥		x 62

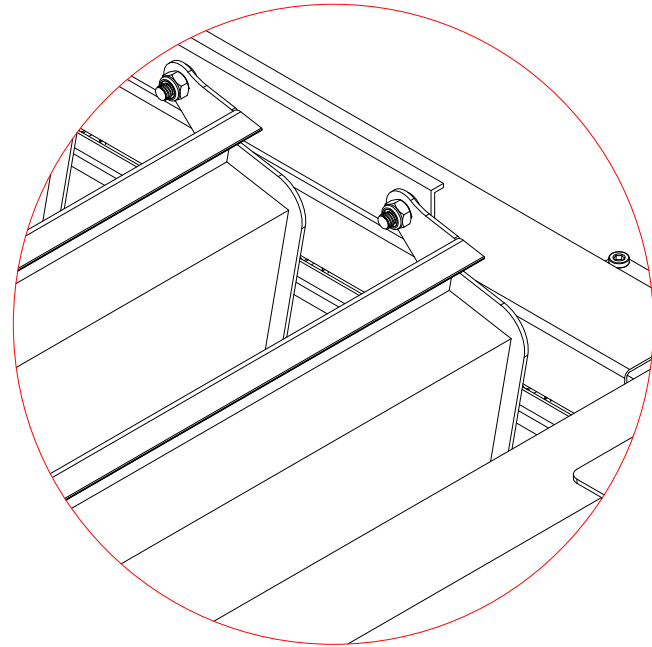
6) As shown, pass the M8x22.4 Bolts ④ through the transmission rod, seal and the blade cover, then tighten the screw with the M8 Locking Nut ⑤ (the connection sequence connection is M8x22.4 Bolts ④-transmission rod-Plastic Spacer ⑥-blade cover-M8 Locking Nut ⑤.)



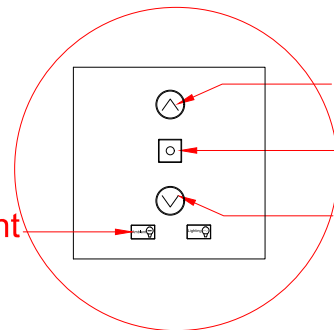
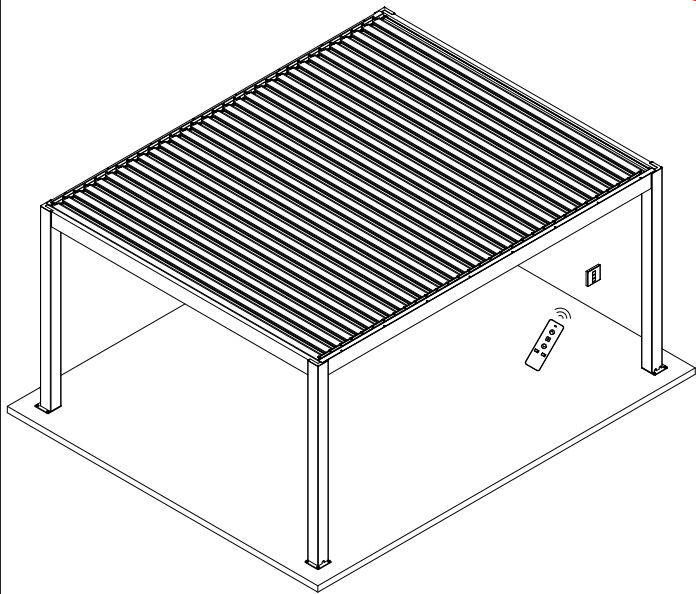
The installation is complete



Closing



Opening



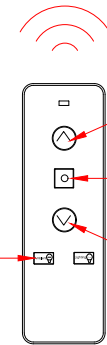
Open

Stop

Close

close/open the light

Receiver



Open

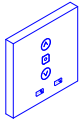
Stop

Close

close/open the light

Remote Control

14



x 1

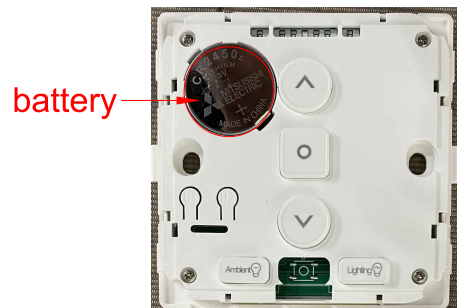
13



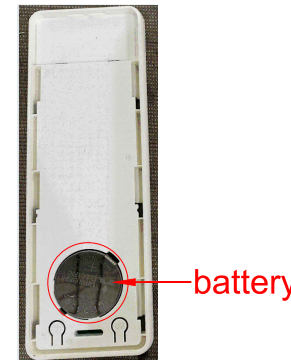
x 1

We have set up the programming before shipping, if you found the receiver can not control the motor, please follow the steps below to get it programmed:

Step 1: If the battery of the wireless receiver and the remote control are not working; you can press the remote control or the receiver to see if the light is on, sometimes even if the light is on, the battery runs out and signal cannot be sent. At this point, you need to replace the battery for the wireless receiver and remote control.



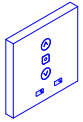
Receiver



Remote Control

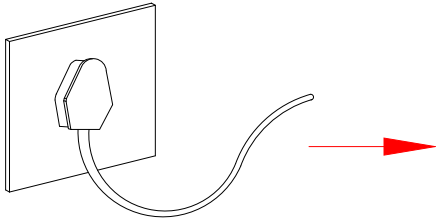
Step 2: If the battery of the wireless receiver and the remote control are in good condition, please turn off the power, and then turn on the power. If you can hear two beeps of the motor, it means that the power supply of the motor is normal, and you can proceed to the next step.

14



x 1

We have set up the programming before shipping, if you found the receiver can not control the motor, please follow the steps below to get it programmed:



Up button

Middle button

Bottom button

Receiver

Step 3: Please cut off the power and reconnect the power, then please start the following steps within 15 seconds.

Code programming: Open the front cover of the wireless receiver, then please get the power on the motor, press and hold the small hole of the receiver for 3 seconds until you hear the a sound of the motor, go ahead to press the Up button of the receiver one time, once you hear the beep of the motor, it means the code programming successfully.

(**Code deleting :** Open the front cover of the wireless receiver, then please get the power on the motor, press and hold the small hole of the receiver for 3 seconds until you hear the a sound of the motor, go ahead to press the Bottom button of the receiver one time, once you hear the beep of the motor, it means the code deleting successfully.

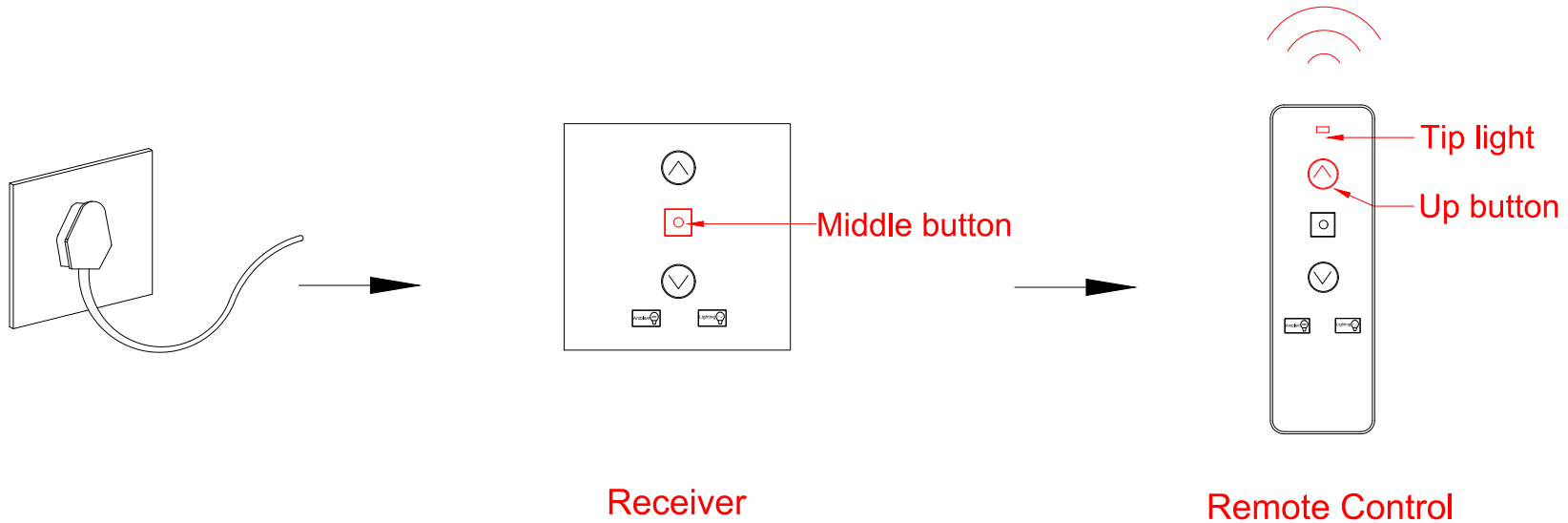
Direction changing: Open the front cover of the wireless receiver, then please get the power on the motor, press and hold the small hole of the receiver for 3 seconds until you hear the a sound of the motor, go ahead to press the Middle and Up button of the receiver one time, once you hear the beep of the motor, it means the direction changing successfully.)

13



x 1

We have set up the programming before shipping, if you found the receiver can not control the motor, please follow the steps below to get it programmed:



Step 4: Please cut off the power and reconnect the power, then please start the following steps within 15 seconds. Then press the middle button on the receiver for about 5 seconds until the tip light (blue) at the top continues to flash. Press the up button on the remote control. When the receiver tip light (blue) flashes 3 times, this means the remote control can be used to control the motor.

Caring for Your Pergola

Structure surfaces coated with thermosetting powder coatings must be cleaned once a year to maintain their original aesthetic appearance.

Thermosetting powders are sensitive to:

- Physical friction, hard impact, extrusion, chemicals including alkaline solvent and acidic solvent.
- Natural elements such as wind, rain, snow, and prolonged sunlight. The exterior of the pergola may deteriorate over time and this will not be covered under warranty.

Cleaning Your Pergola

- Do not use scouring pad, cream cleaner, abrasive sponge, iron wire ball or coloured cloths.
- Recommended: Soft sponge, soft sand-free cloth, cotton wool, cotton or non-woven paper (white only).
- Do not use corrosive products such as acidic or alkaline cleaners. It is recommended to wash with neutral pH detergent water and then wipe it with a cloth to keep it dry.
- When cleaning with high-pressure equipment, the same precautions must be taken as when cleaning the car body: distance, nozzle type, water temperature and pressure should all be considered.

Use Reminder

- After the installation is complete, check that the screws are tight. Remember to check the screws at least once per year.
- **In an instance where snowfall, hail or strong winds greater than 80km/h are predicted, it is recommended to open the louvre blades. Do not operate the blades in the event of frost or snow. Please remove the blades from the pergola when the snow is abundant.**
- Regularly check the sealing conditions to ensure that the seals or other components do not leak.
- Regularly clean up debris such as fallen leaves on pergola to prevent blockage of the drain.
- Restrictions on use: Watertight systems, although effective, are not designed to ensure complete waterproofing. Heavy rain and strong winds may damage the pergola. Any damage incurred will not be covered under warranty.

