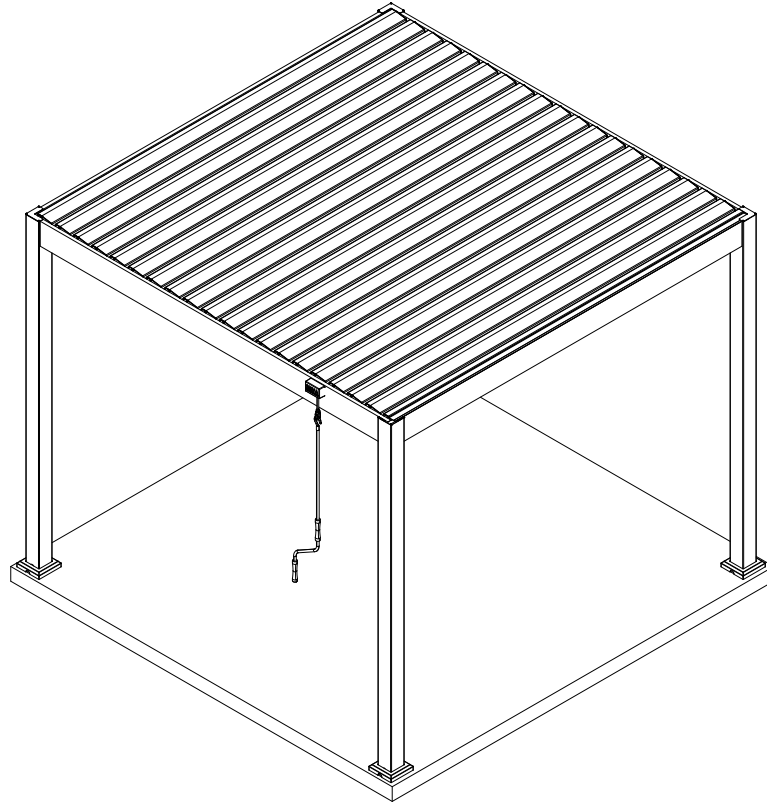


OWNER'S MANUAL



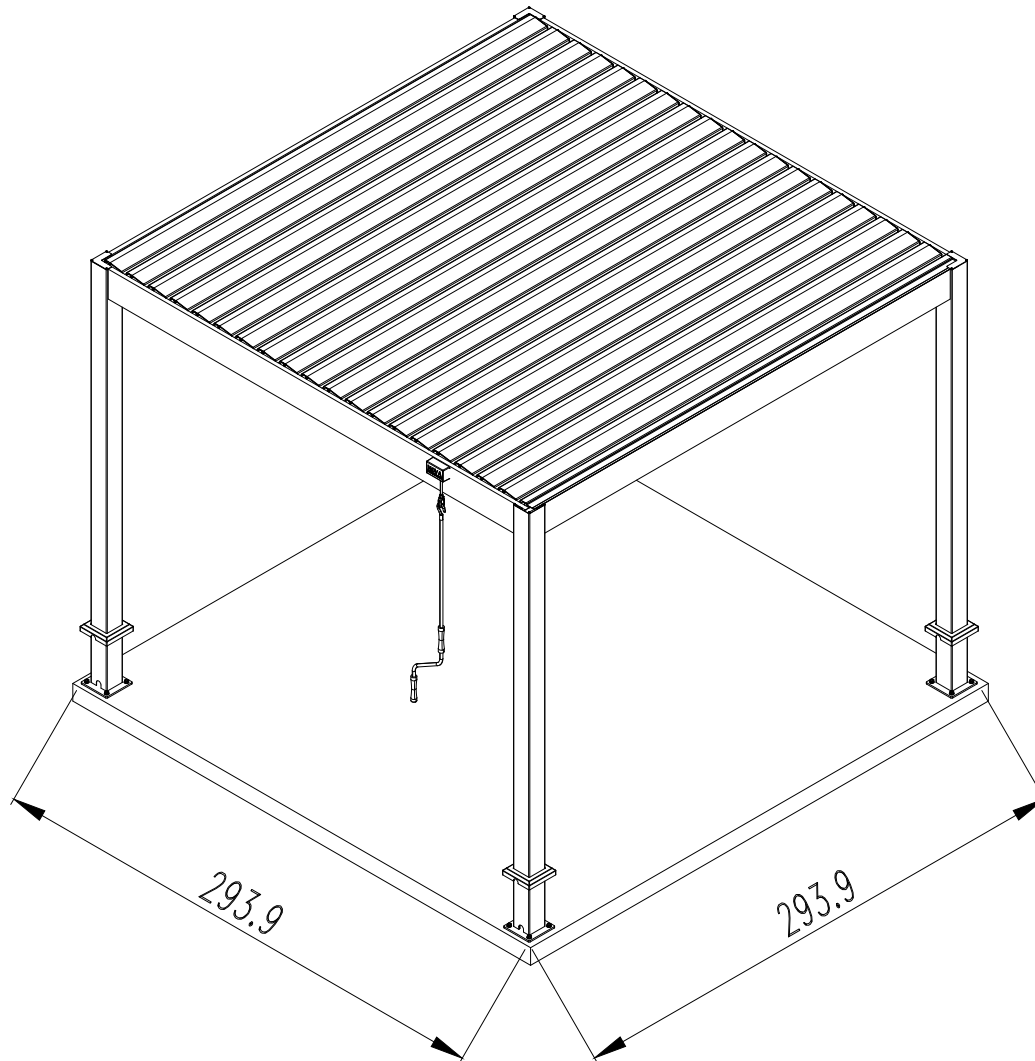
Pergola 300 x 300 cm

Please read this manual before using your pergola for the first time.
Please keep this manual for future reference.

Pergola

Opening: Manual

Size: 300 (Length) x 300 (Width) -cm



Installation Notes:

1. Installation requires a minimum of three people: one for measurement and marking, one for installation and one as an assistant.
2. Only concrete floor fasteners are provided. In the case where there is no concrete slab on the ground, it is recommended to make concrete slabs at each column. The concrete slab should be a minimum of 500x500x500mm.
3. After the Pergola frame is assembled, use a square, level and ruler to measure the product level and diagonal to ensure the size of the pergola.
4. Power tools are required: make sure they work properly and follow the safety instructions.
5. Be careful when using sharp tools.
6. Wear protective clothing including safety glasses, helmets and gloves.
7. Don't climb or stand on the roof.

Safety Warning

- It is highly recommended to wear gloves for assembly.
- Do not install pergola during bad weather conditions, such as wind or rain.
- Do not touch any wires with aluminum profiles.
- Always wear protective shoes and glasses when installing pergola.
- Keep all plastic bags out of the reach of children.
- The pergola column must be positioned and fixed on a flat surface.
- Do not lean on the column during the assembly phase.
- Do not let children approach the scene during the assembly phase.
- Don't be near pergola in a storm or typhoon.
- Do not try to climb pergola under the influence of alcohol or drugs.
- When using ladders or similar tools and power tools during the assembly phase, be sure to follow the manufacturer's safety recommendations.
- Any hot tool, such as an electric drill, cannot be in contact with the pergola profile.
- Make sure there are no cables or other cables hidden underground before positioning the column.

General Advice

- This pergola has several components and it takes at least 90 minutes to assemble. The pergola should not be positioned under a tree.
- If you connect the column directly to cement or a similar base, use the pre-punched holes on the supplied base.
- Check the number of profiles and fittings before assembly and use them according to the list of profile fittings for easy assembly.
- Put small pieces such as screws into a container to avoid loss.
- Please pay attention to the position of the transmission on the beam to avoid misplacement.
- Regularly clean leaves, snow or other objects off the pergola.

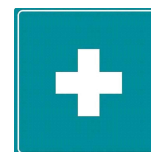
Maintenance and Repair

- To clean pergola, use a mild detergent and rinse with water. Do not use acetone or abrasive cleaning products to clean the surface of the aluminum profile.

Protection and Installation Tools

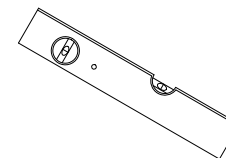
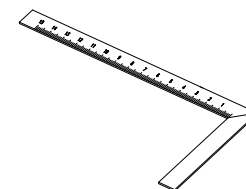
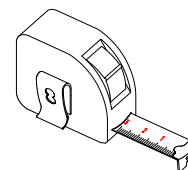
Protective Equipments:

1. Helmet
2. Gloves
3. Emergency first-aid kit
4. Protective glasses



Measuring Instrument:

1. Tape measure (5 metres or more)
2. Square ruler
3. Level



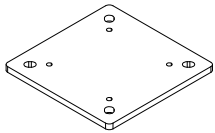

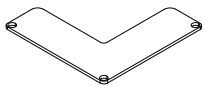
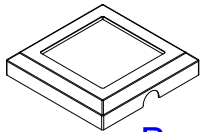
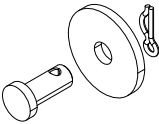
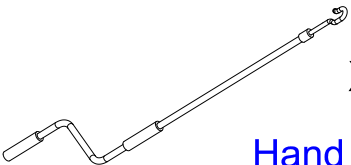
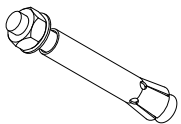
Tools:

1. 2 metre ladder (1.5 metres or more)
2. 13mm hex wrench
3. 17mm hex wrench
4. Electric drill
5. Electric drill bit (10 mm drill bit)
6. Marker or pencil
7. Rubber hammer
8. Sealant and glue gun



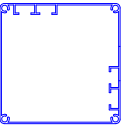
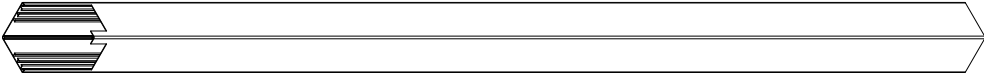
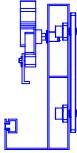
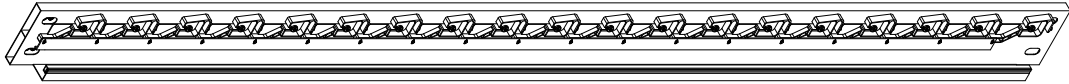
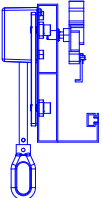
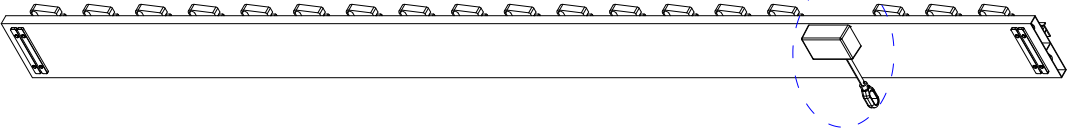
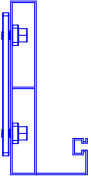
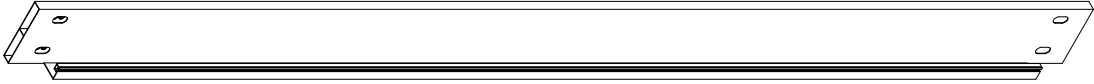
Silicon

Profile Accessories List

①		x 4 Base Plate	⑦		x 4 ST3.5*20 Self-tapping screws	⑬	
②		x 4 Post Top Cover	⑧			⑭	
③		x 4 Base Plate Cover	⑨			⑮	
④		x 1 M5 Gasket B type cotter pin Ø5X16 Locating pin	⑩			⑯	
⑤		x 1 Hand Crank	⑪			⑰	
⑥		x 16 Anchor Bolt	⑫			⑱	

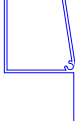
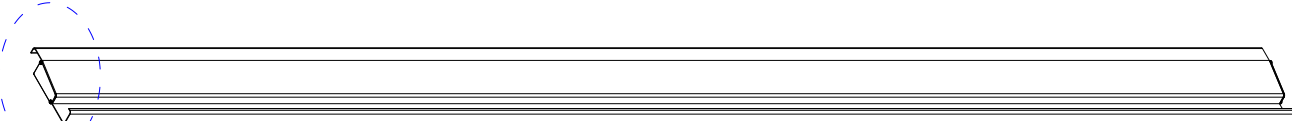
Profile Accessories List

Profile

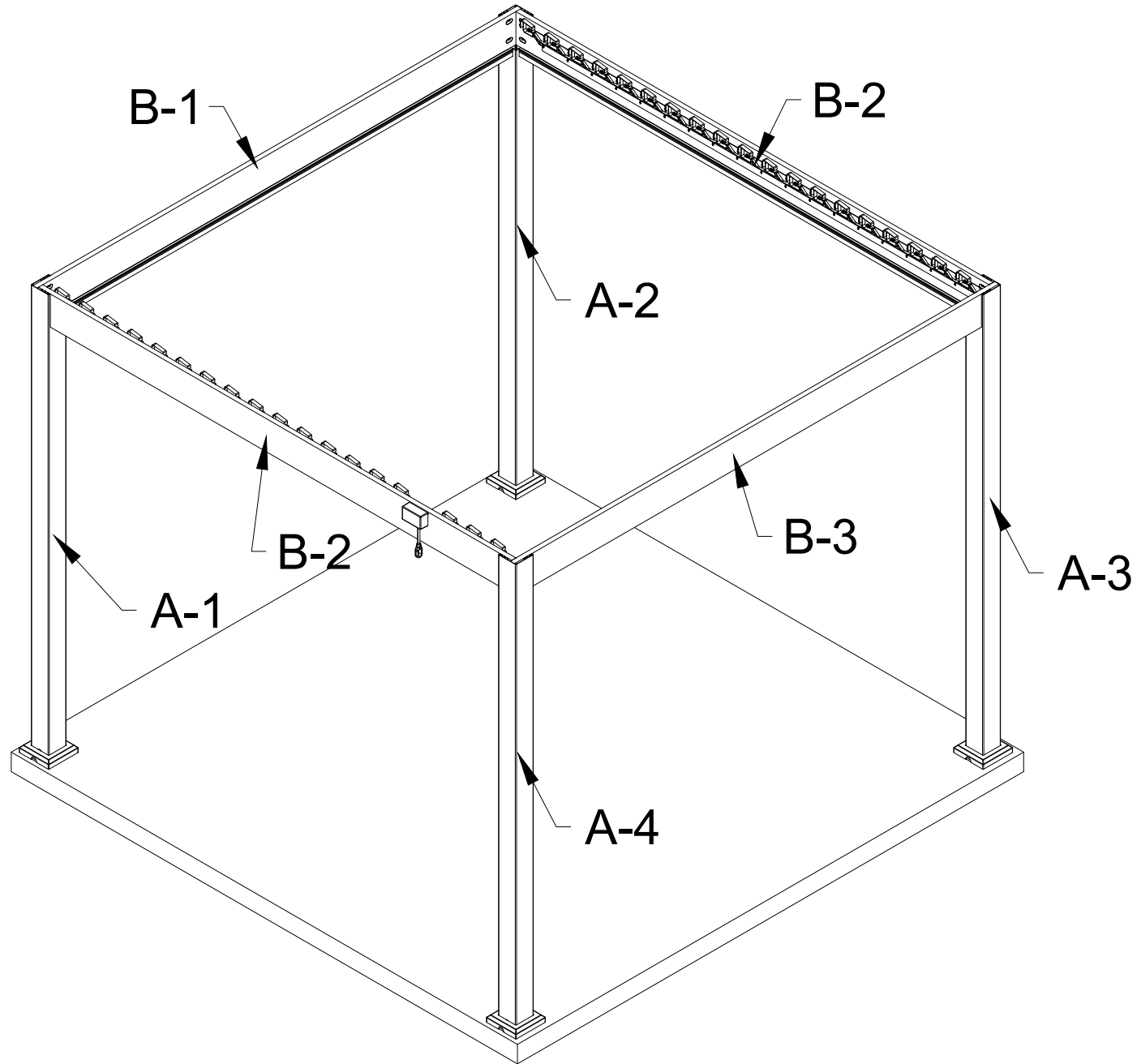
<p>A-1 ~ A-4</p>			<p style="text-align: right;">x 4 Post</p>
<p>B-2</p>			<p style="text-align: right;">x 1 Beam with hook</p>
<p>B-4</p>			<p style="text-align: right;">x 1 Beam with hook</p>
<p>B-1 B-3</p>			<p style="text-align: right;">x 2 Beam</p>

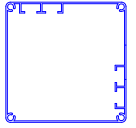
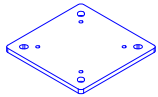
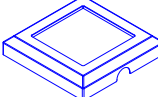
Profile Accessories List

Profile

<p style="text-align: center;">D-1</p>			<p style="text-align: right;">x 1 Driving Blade</p>
<p style="text-align: center;">D-2</p>			<p style="text-align: right;">x 18 Common Blade</p>
<p style="text-align: center;">E</p>			<p style="text-align: right;">x 1 Aluminum Plate</p>

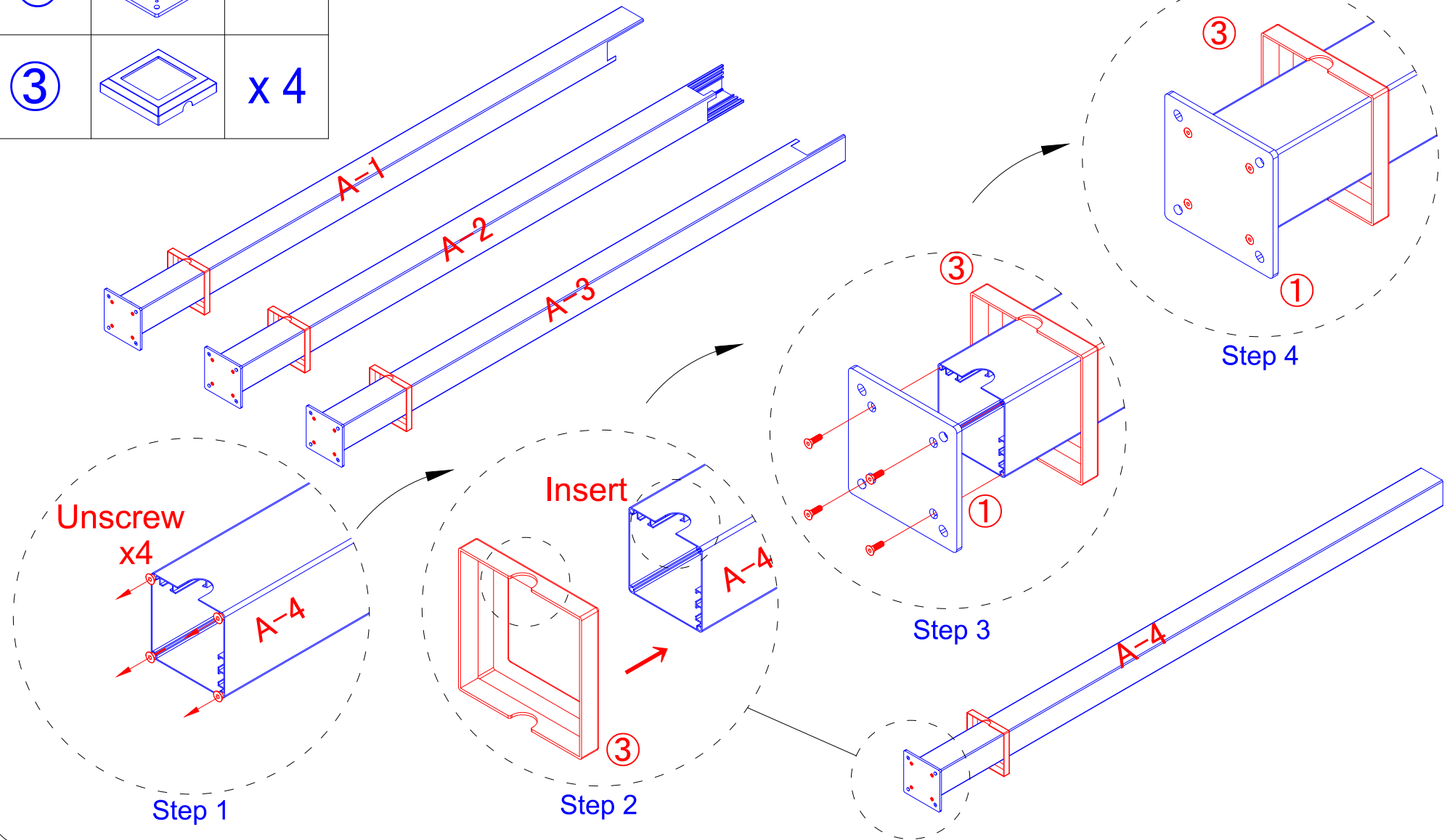
Aluminum Profiles Lay Out Drawing

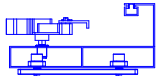
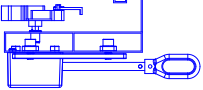


A-1 ~ A-4		x 4
①		x 4
③		x 4

Assemble the Framework

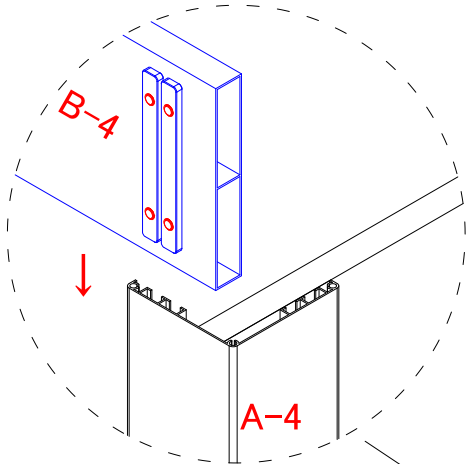
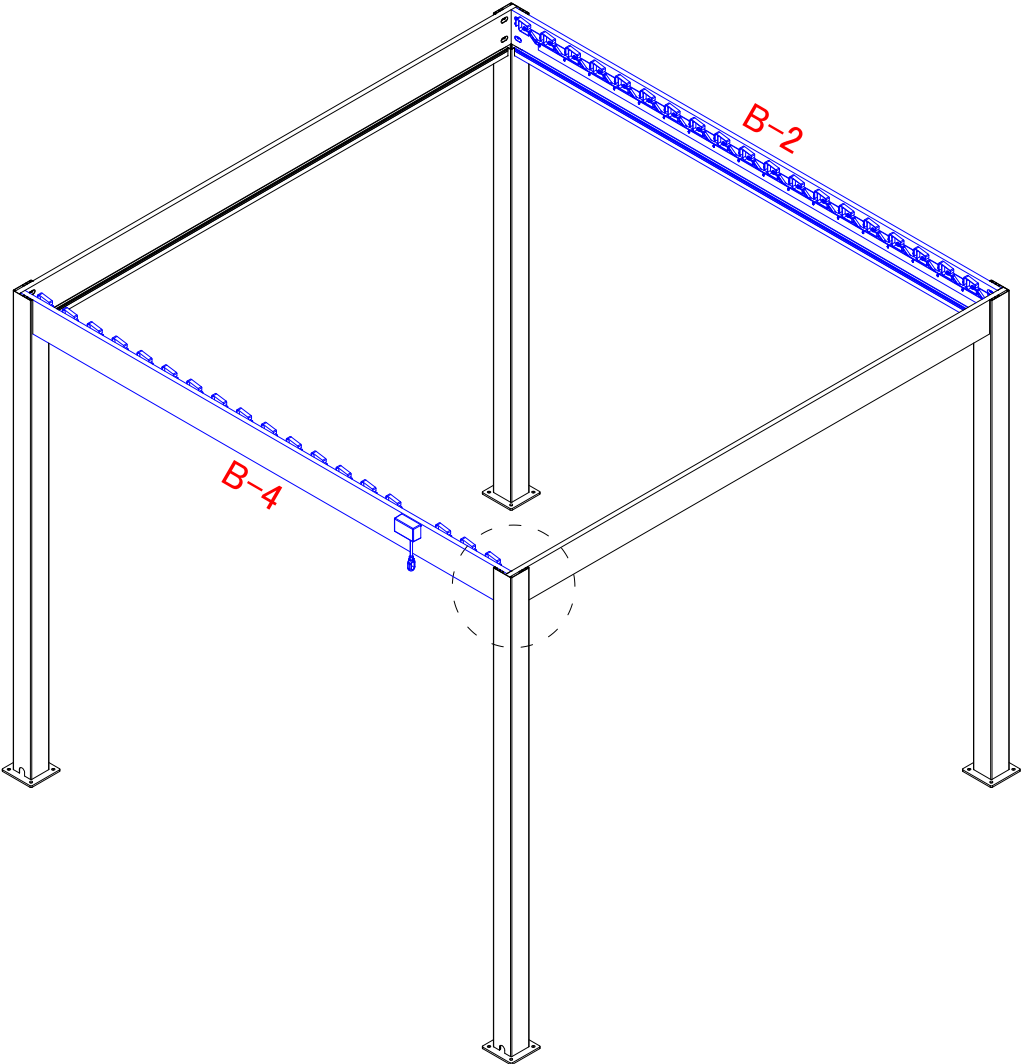
1) Unscrew the bolts pre-installed on the bottom of the Post (A-1, A-2, A-3, A-4), insert the base plate cover ③ into the posts, align the base plate ①, and lock the base plate ① to the post with the unscrewed bolts.



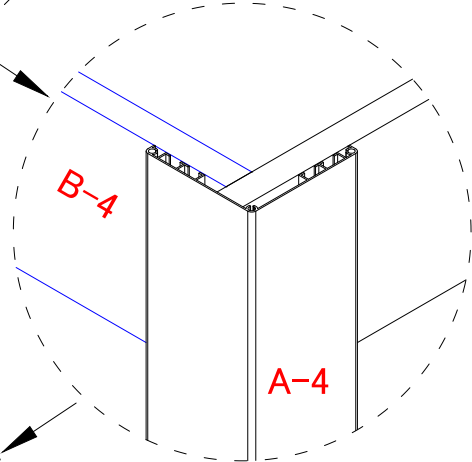
B-2		x 1
B-4		x 1

Assemble the Framework

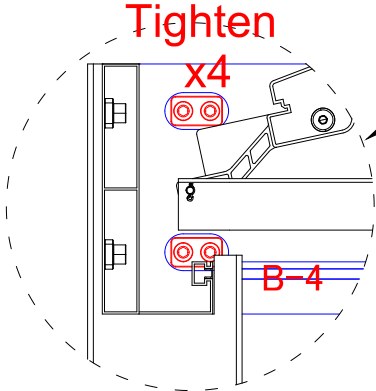
3) Unscrew the bolts pre-installed on the top of the Post,insert the beam with hook (B-2, B-4) into the post connector, and lock the beam with hook to the post.



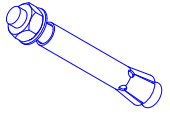
Step1



Step2



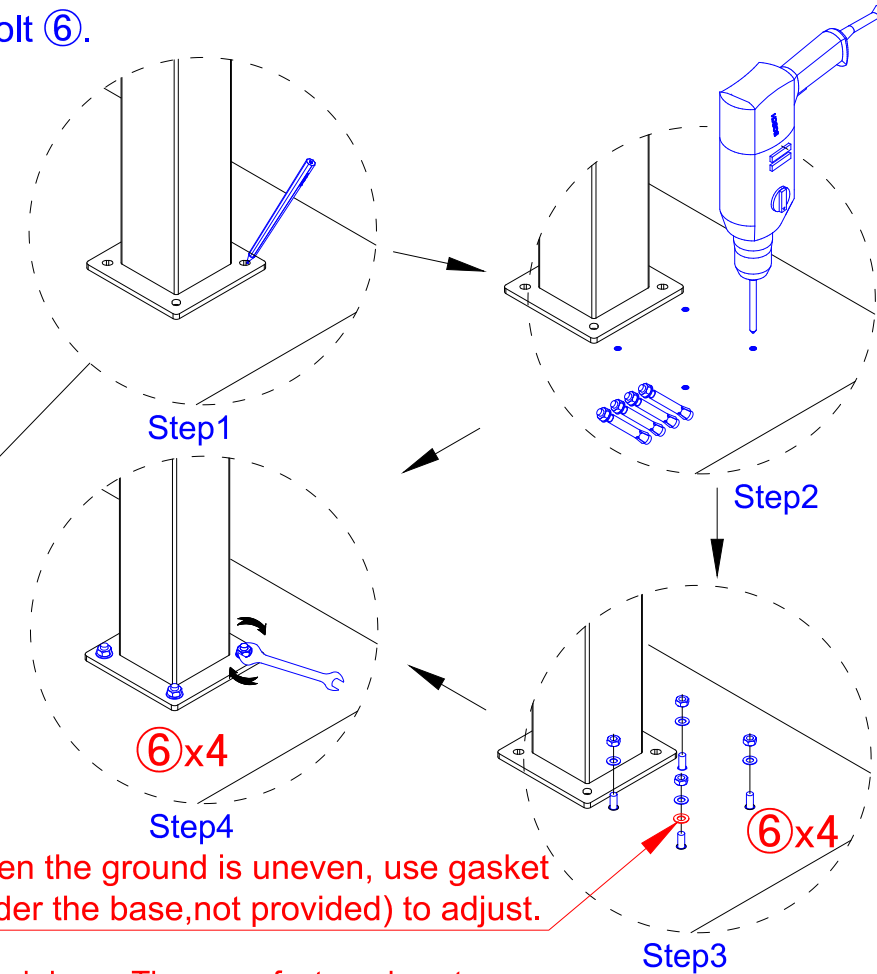
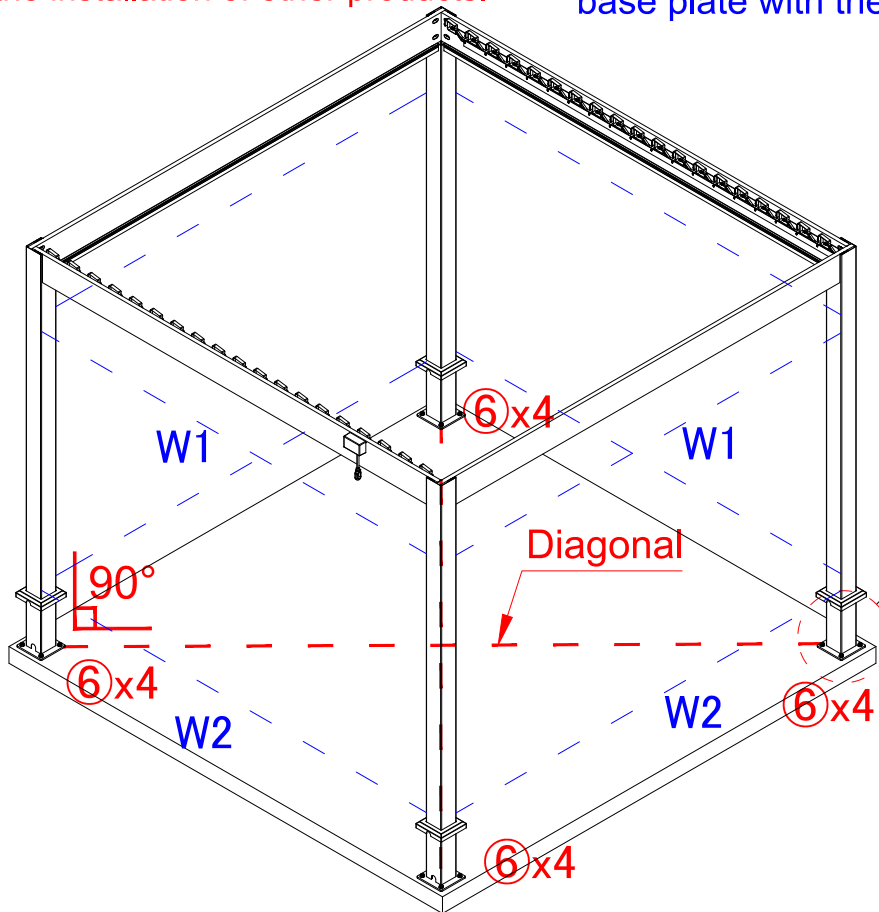
Step3

⑥**x 16**

Note:
Please make sure the size
W1=W2, otherwise it will affect
the installation of other products.

Fix Pergola to the Ground

- 1) Use the 16 anchor bolts provided, if the ground is not concrete floor. You will need to find another solution to bolt your pergola down onto your desired surface.
- 2) Move the pergola to the appropriate installation position, then mark the position of the four posts with the pencil, remove the pergola, and use the electric drill to make 16 holes according to the mark. Move the pergola back to the position and secure the base plate with the anchor bolt ⑥.



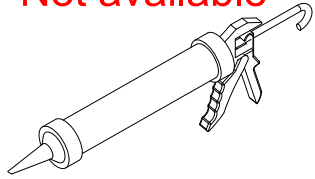
When the ground is uneven, use gasket (under the base, not provided) to adjust.



It is the responsibility of the user to ensure that the pergola is fixed down. The manufacturer is not responsible for damage caused by natural disasters or special events to the pergola (or its accessories). Any pergola that is not fixed may be blown away and cause damage, and this responsibility will not be attributed to the manufacturer. Check the pergola regularly to ensure it remains stable and firmly attached to the ground. A pergola that detaches from its position and incurs or causes damage will not be covered under warranty.

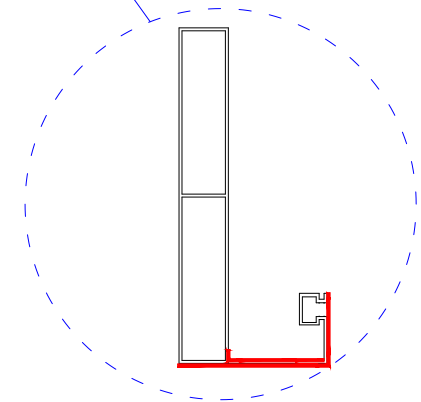
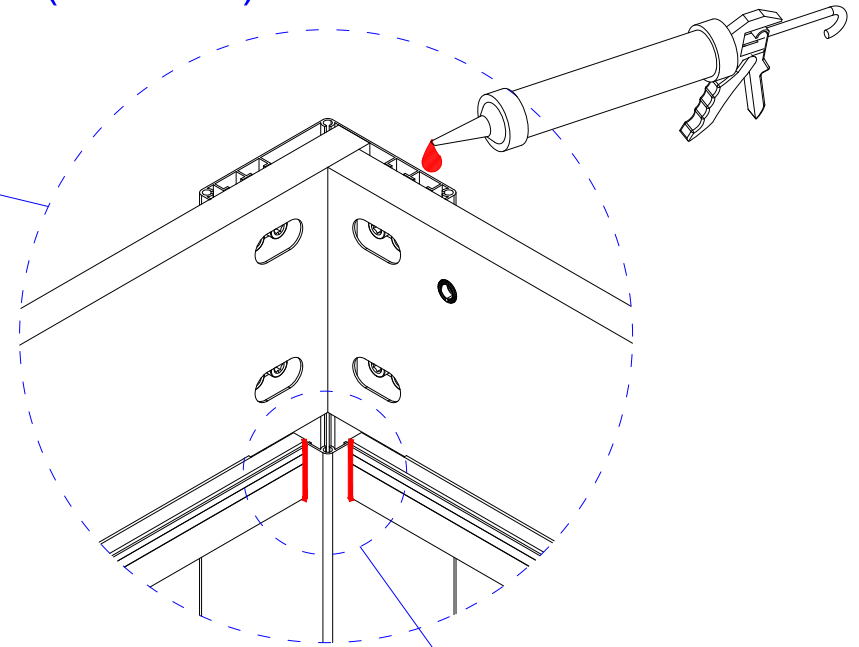
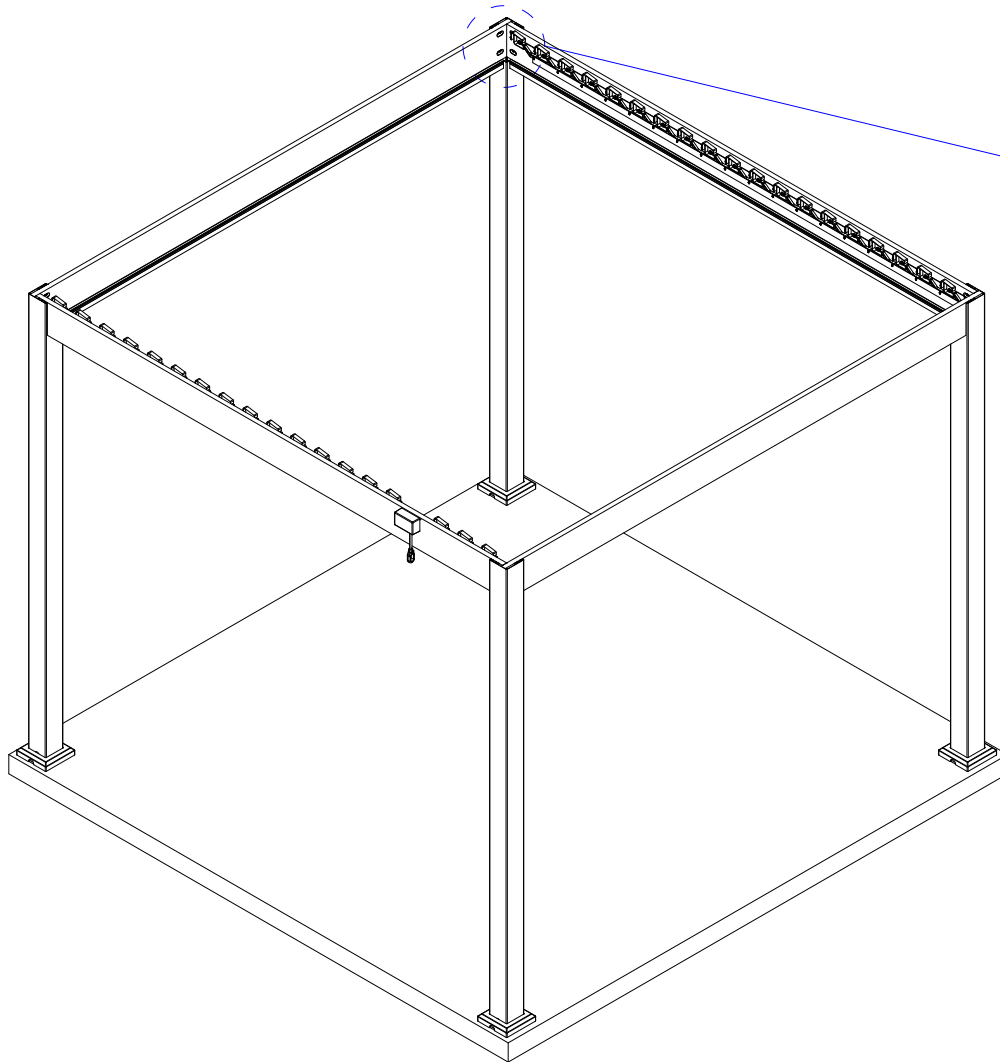


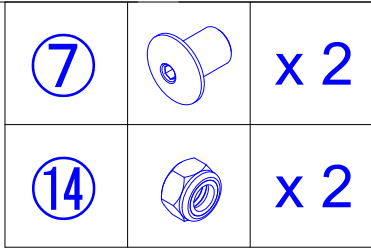
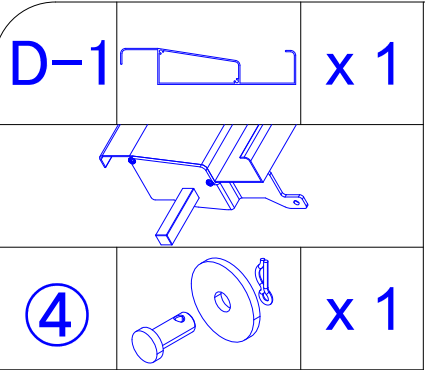
Not available



Increase the Waterproof Performance of Pergola

- 1) The pergola product itself is waterproof, so the manufacturer does not provide a sealant. Sealing can be done at the owner's discretion to increase the pergola's durability. Sealing position: the inside of the profile joint, the joint between the gutters and the Plastic Fixed Part For Gutter(as shown).

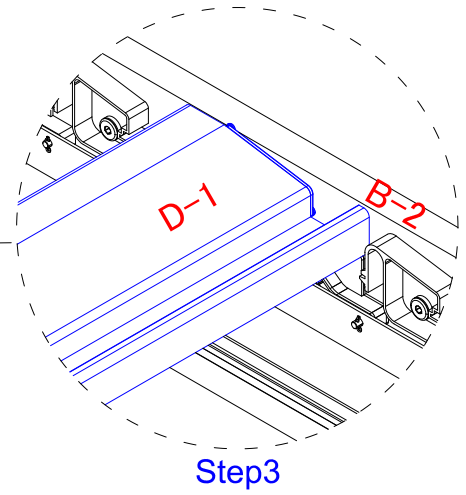
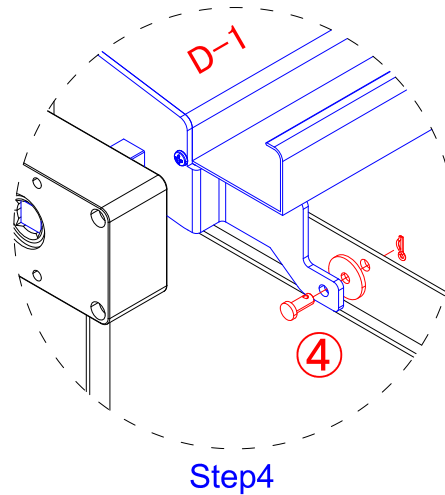
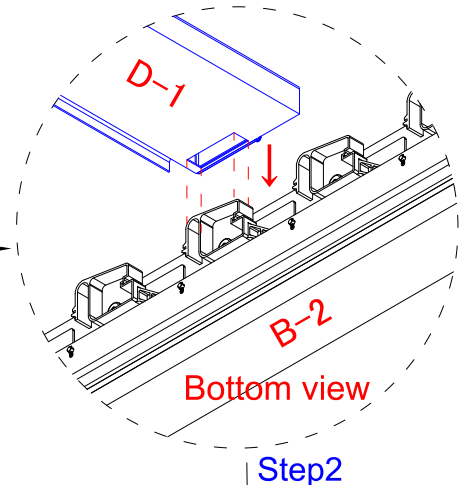
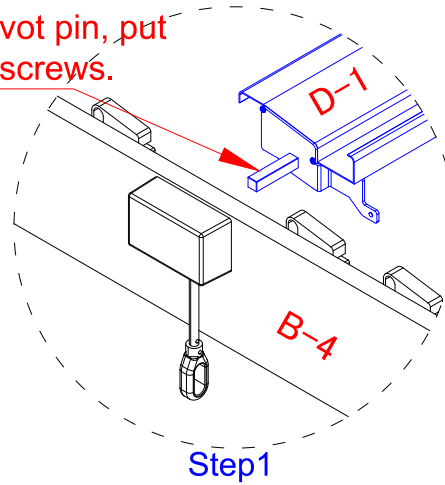
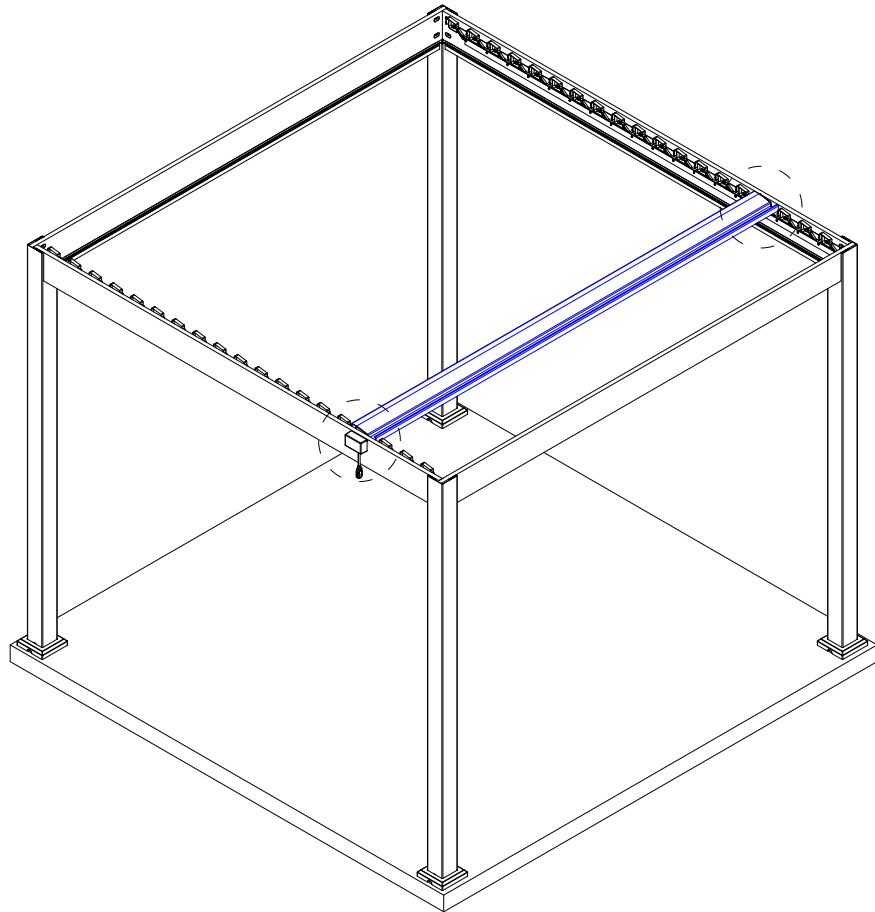




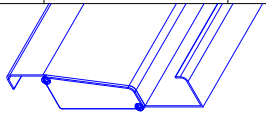
Installing Louvre Blades

- 1) As shown, Insert the strengthened pivot pin of "Driving Blade D-1" into Beam-4 and the other side into the hook of Beam-2.
- 2) As shown, pass the "Ø5X16 Locating pin" across the Driving Blade D-1 cover → beam, and lock with a "B type cotter pin".

If the blades don't fit, you can remove the Strengthen pivot pin, put it in, and then tighten the screws.



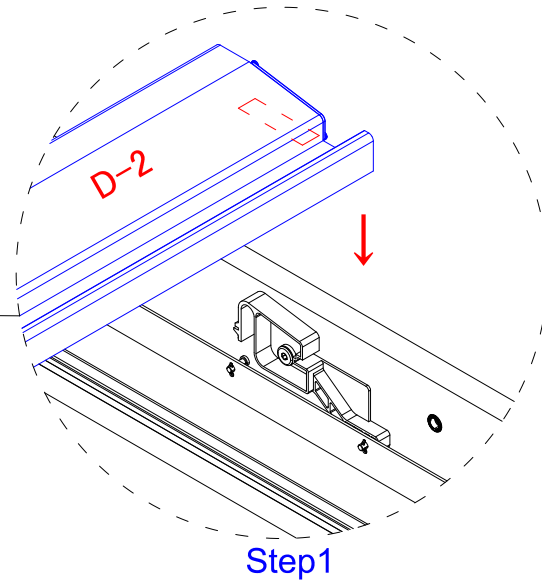
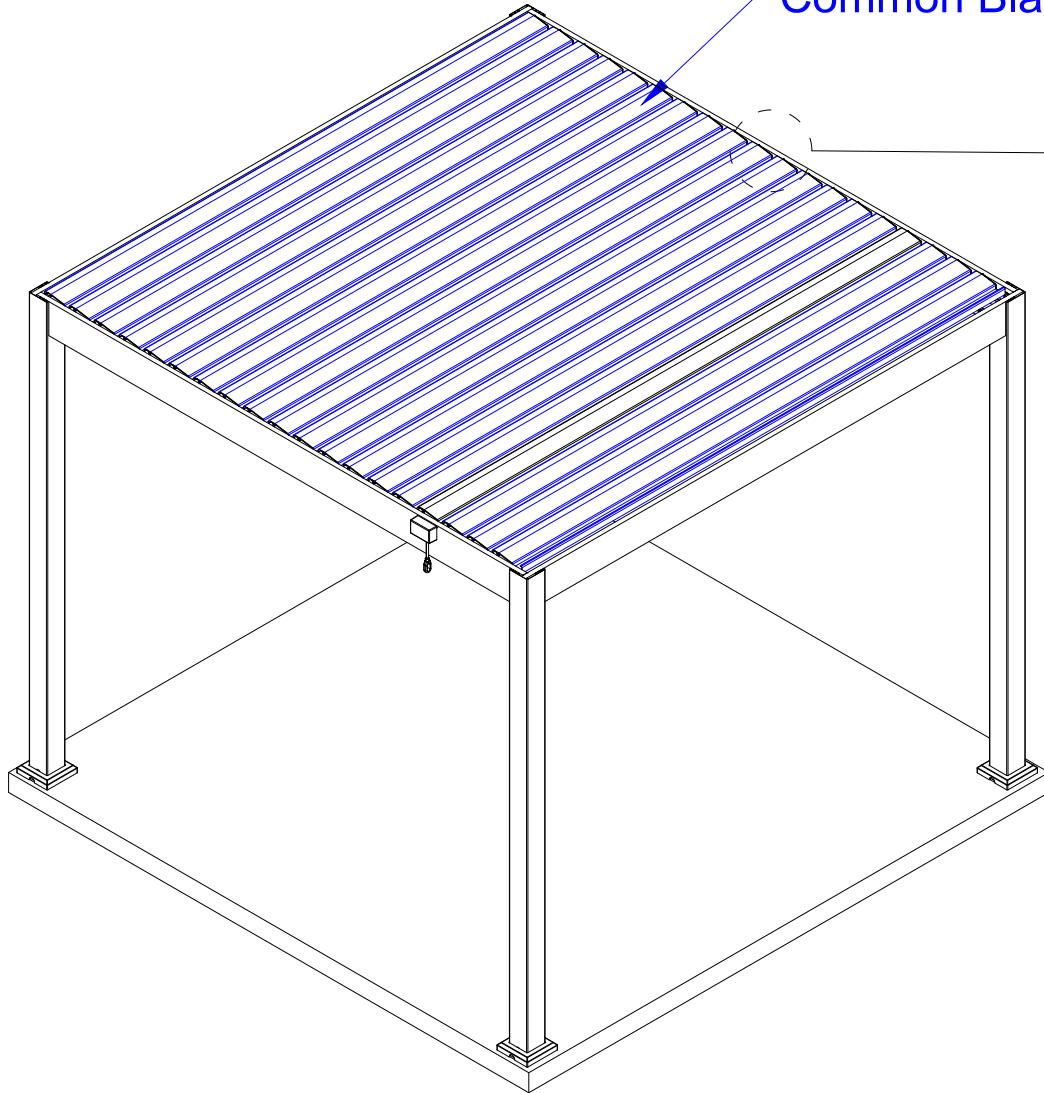
D-2 x 18



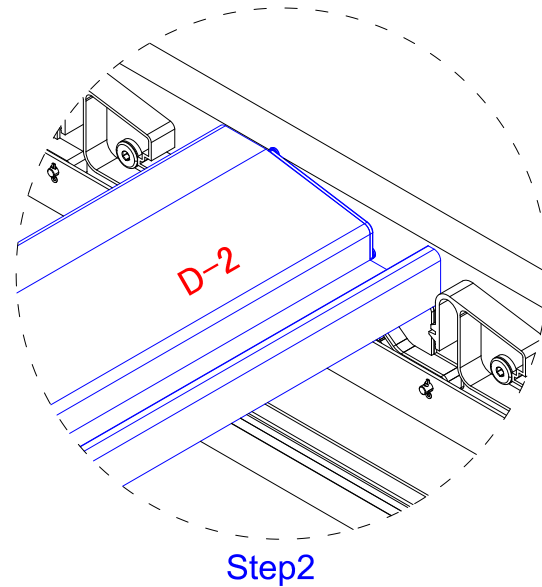
Installing Louvre Blades

3) As shown, the Common Blade D-2 clicks directly into the hook.

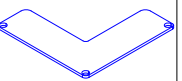


18 pieces
Common Blade D-2



Step1

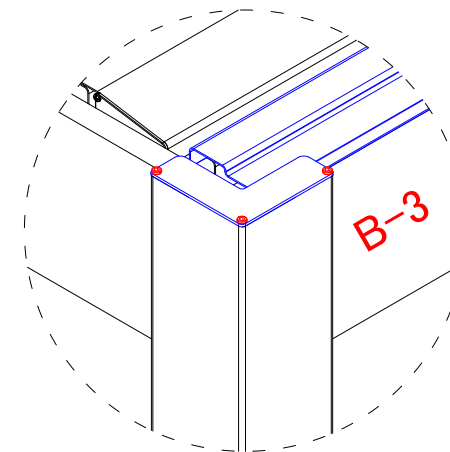
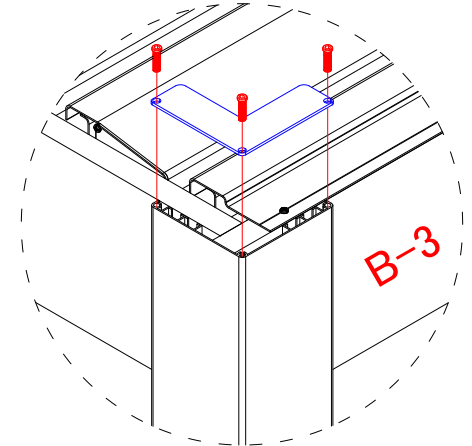
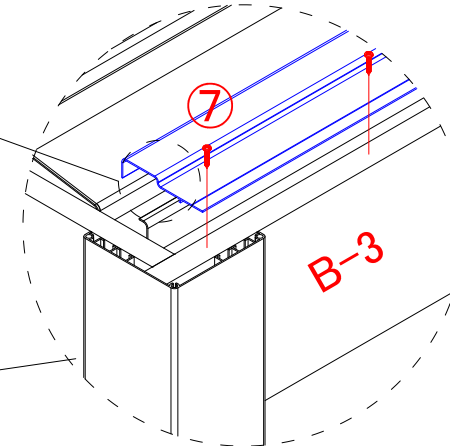
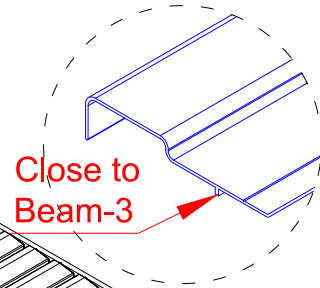
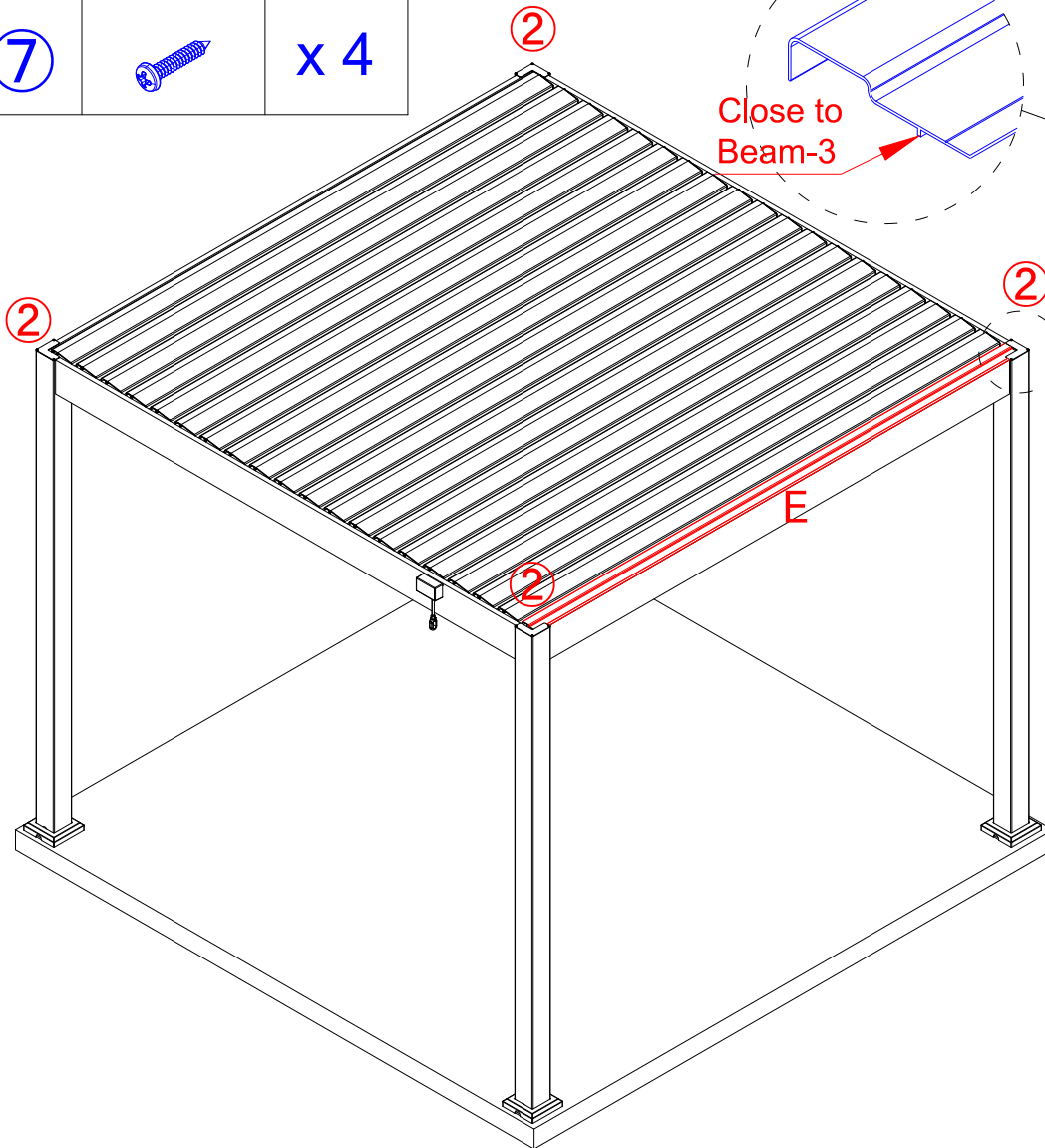


Step2

②		x 4
E		x 1
⑦		x 4

Installing Aluminum Plate & Post Top Cover

- 1) Place the "Aluminum Plate" on the Beam-3 and tighten it with "ST3.5*20 Self-tapping screws.
- 2) Fasten the M6x20 screws(Unscrew the post) to fix "Post Top Cover" to the post.



Caring for Your Pergola

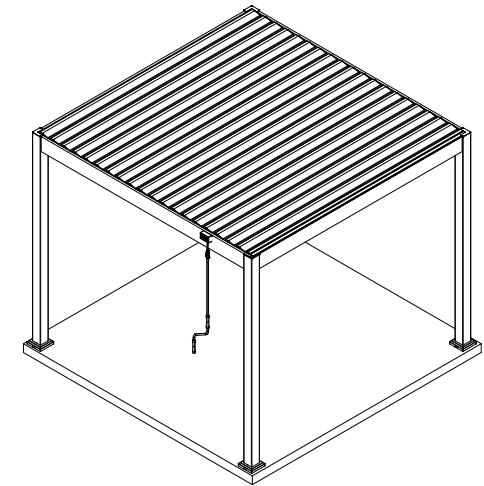
Structure surfaces coated with thermosetting powder coatings must be cleaned once a year to maintain their original aesthetic appearance.

Thermosetting powders are sensitive to:

- Physical friction, hard impact, extrusion, chemicals including alkaline solvent and acidic solvent.
- Natural elements such as wind, rain, snow, and prolonged sunlight. The exterior of the pergola may deteriorate over time and this will not be covered under warranty.

Cleaning Your Pergola

- Do not use scouring pad, cream cleaner, abrasive sponge, iron wire ball or coloured cloths.
- Recommended: Soft sponge, soft sand-free cloth, cotton wool, cotton or non-woven paper (white only).
- Do not use corrosive products such as acidic or alkaline cleaners. It is recommended to wash with neutral pH detergent water and then wipe it with a cloth to keep it dry.
- When cleaning with high-pressure equipment, the same precautions must be taken as when cleaning the car body: distance, nozzle type, water temperature and pressure should all be considered.



Use Reminder

- After the installation is complete, check that the screws are tight. Remember to check the screws at least once per year.
- **In an instance where snowfall, hail or strong winds greater than 80km/h are predicted, it is recommended to open the louvre blades. Do not operate the blades in the event of frost or snow. Please remove the blades from the pergola when the snow is abundant.**
- Regularly check the sealing conditions to ensure that the seals or other components do not leak.
- Regularly clean up debris such as fallen leaves on pergola to prevent blockage of the drain.
- Restrictions on use: Watertight systems, although effective, are not designed to ensure complete waterproofing. Heavy rain and strong winds may damage the pergola. Any damage incurred will not be covered under warranty.