



**BB01**

**Owner's Manual**

## **Table of Contents:**

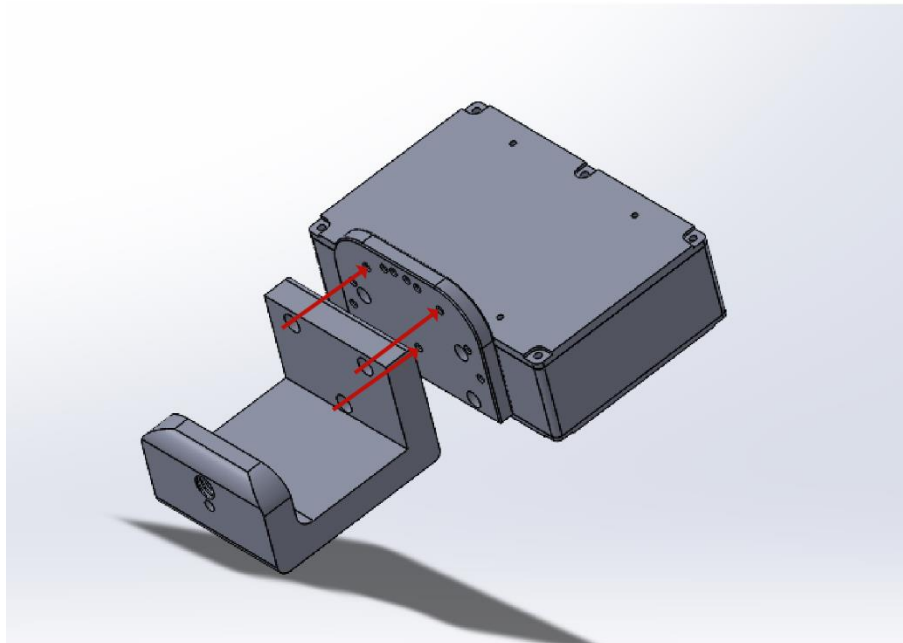
### Contents

Mounting.....	- 3 -
Installing The Desk Clamp .....	- 3 -
Installing The Button Box With A Clamp .....	- 4 -
Installing the Box with a Side Mount .....	- 4 -
Installing the Box with an 80 or 120mm Face Mount.....	- 6 -
Installing A VESA Mount .....	- 7 -
Using the Button Box .....	- 8 -
Mapping Buttons .....	- 8 -
Contact Information.....	- 8 -

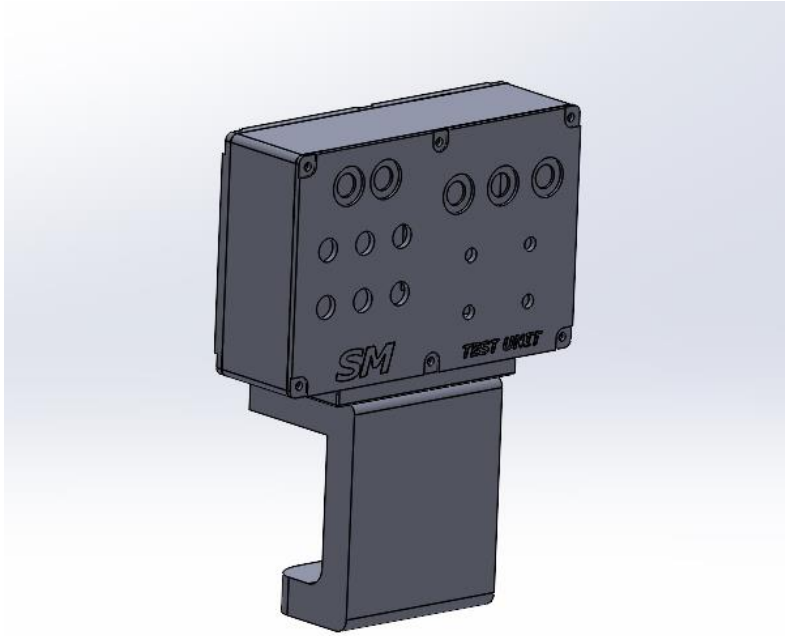
## Mounting

### Installing The Desk Clamp

1. Decide where you want the button box to be located on your desk. You will likely want to angle the box accordingly.
2. To switch the angle of the clamp first unscrew the large plastic bolt in the center of the clamp to remove it completely.
3. Then take a Philips head screwdriver with at least a 6-inch-long shaft and insert it into the smaller of the two holes in the bottom of the clamp. Use your screwdriver while inserted in this hole to unscrew the bolt closest to the front of the box  $\frac{1}{2}$  of a turn.
4. Remove your screwdriver from the hole in the bottom of the clamp and use it to remove the two bolts farthest away from the front of the box. The box and the clamp should now rotate freely from each other while still being connected.
5. Rotate the clamp and line it up with the set of holes in the bottom of the body that you would like to use. **Note: it is possible to line it up such that only one of the two rearward holes in the clamp lines up with a hole in the body. Do not secure it this way, rotate it until both holes line up with the holes in the bottom of the body. A good reference is that the clamp can be secured roughly 30 and 45 degrees from parallel with the front of the in either direction.**



6. Once aligned, reinstall the two bolts you removed earlier. **Do not overtighten these**, the box is designed such that it will be most sturdy when these are snug but not stripped out.
7. Reinsert your screwdriver through the bottom of your clamp and tighten down the bolt that you loosened  $\frac{1}{2}$  of a turn earlier. The finished assembly should look like this:



8. Reinsert the large plastic bolt you removed earlier and install the desk contact point onto the top of it. The desk contact point should not be tight when you place it on top of the bolt, it is designed to let the bolt turn freely while staying stationary as to not scratch the bottom of your desk.

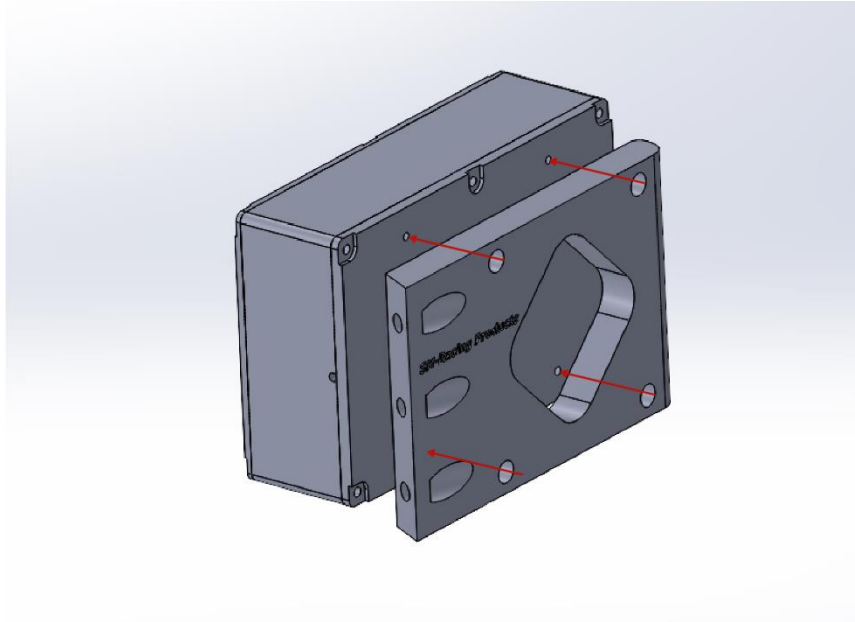
#### Installing The Button Box With A Clamp

1. Now that your clamp is secured at the angle you desire and the clamp is tightened down you are ready to install the button box to your desk. Loosen the plastic bolt in the bottom of the clamp such that there is a gap slightly greater than the thickness of your desk between the top of the contact point on the bolt and the top surface of the clamp.
2. Slide the clamp onto the desk and tighten the large plastic bolt down. **This should not be overtightened.**
3. Connect the USB cable to your computer and your box is installed.

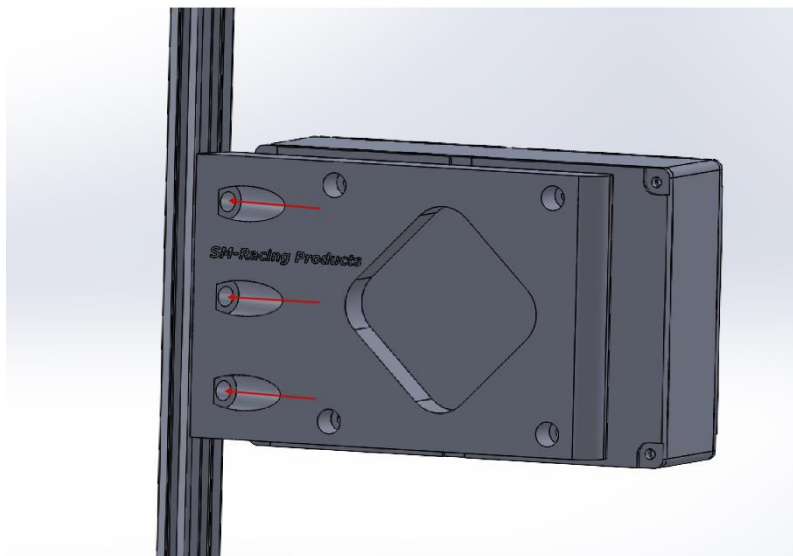
#### Installing the Box with a Side Mount

1. The side mount can be flipped 180 degrees to allow the box to be mounted on the left or right side of a piece of aluminum extrusion. If the mount is preinstalled in the orientation that you prefer skip to step 3.

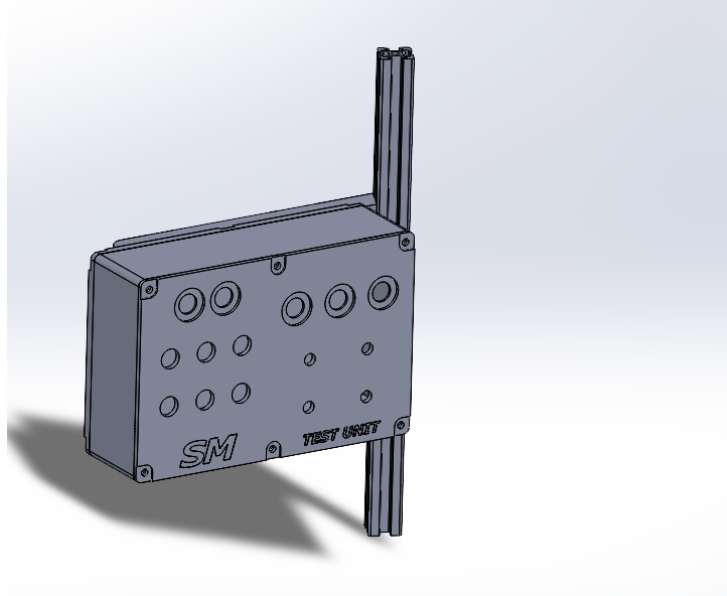
2. To flip the mount first remove the four bolts that hold it to the back of the box. Then rotate it 180 degrees and reinstall the bolts as shown below.



3. Now that the side mount is secured to the box use 3 M8 bolts and T-nuts (not included) to mount the box to your aluminum extrusion as shown below. **Note: some rigs do not allow space for all 3 bolts to be used. In these cases, it is acceptable to use just the center and bottom or center and top holes.**

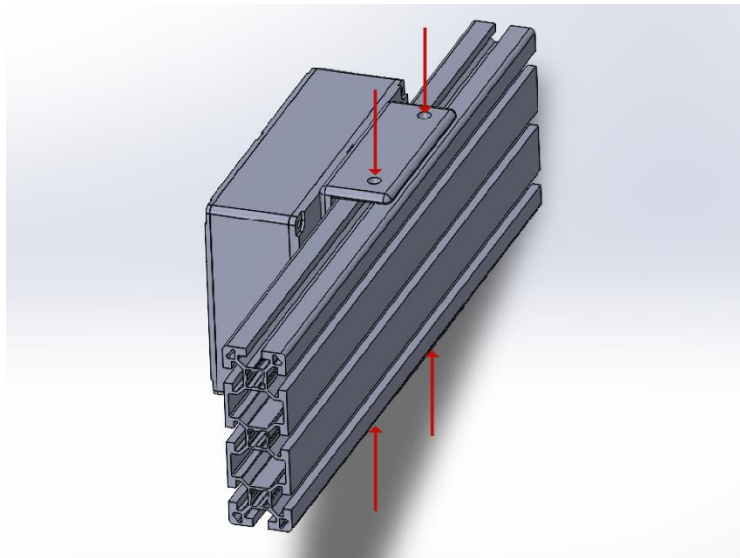


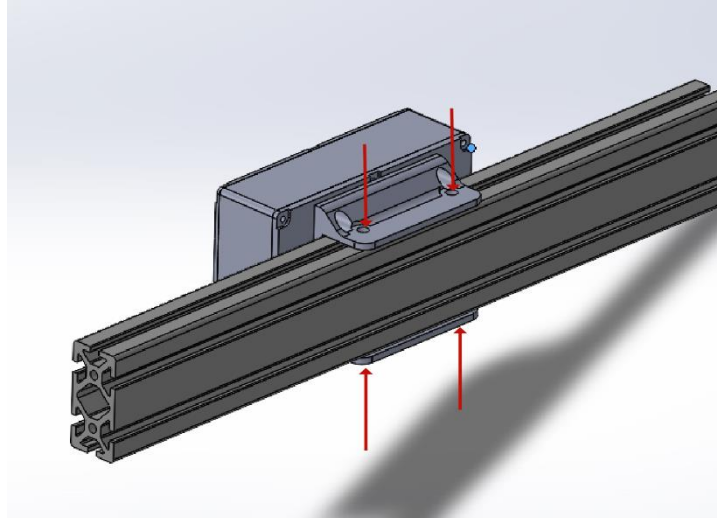
4. The finished mount should look like this:



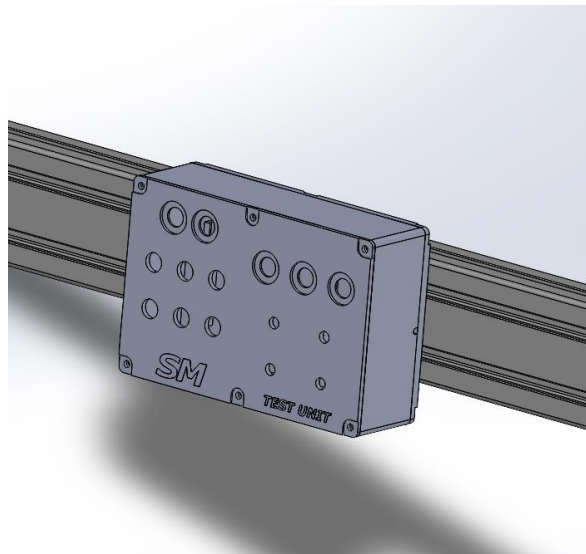
#### Installing the Box with an 80 or 120mm Face Mount

1. Insert 2 T-nuts (not included) into the top and bottom rails of your aluminum extrusion.
2. Slide the mount over the extrusion and using four bolts mount the box to the aluminum extrusion.





3. The finished mount should look like this:



### Installing A VESA Mount

1. Insert 4 M4x10 bolts into the mounting holes on your VESA mount. Once they are inserted you will screw them into the back of the button box in the 4 unused holes. It is advisable to start them all and turn them 1 turn in, then turn them  $\frac{1}{2}$  a turn out and repeat until they are snug. **Do not strip these.**
2. Now install your VESA mount to your sim rig in whatever fashion you would like and connect the USB cable to your computer.

## Using the Button Box

### Mapping Buttons

1. You should now be able to use your button box. Setting up controls is different for each game so you will need to follow in-game instructions. Here are some helpful reminders.
  - a. iRacing
    - i. When assigning a non-momentary switch (either of the lighted switches on your button box) to a control you must start with the switch in the off (downward) position and press enter on your keyboard after flipping it on (upward) to exit the setup for that control. If you do not do it this way the switch will not function properly.
    - ii. Momentary switches (all the switches in your button box that are not lighted) and push buttons will be programmed the same way a key or button on your wheel would be programmed.

### Contact Information

If you have any issues, please contact us at <https://sm-racingproducts.com>, by email [sm-racingproducts@sm-racingproducts.com](mailto:sm-racingproducts@sm-racingproducts.com), or by call/text (785)-633-1576 or (785)-221-9864.

Thank you for choosing SM-Racing Products!

