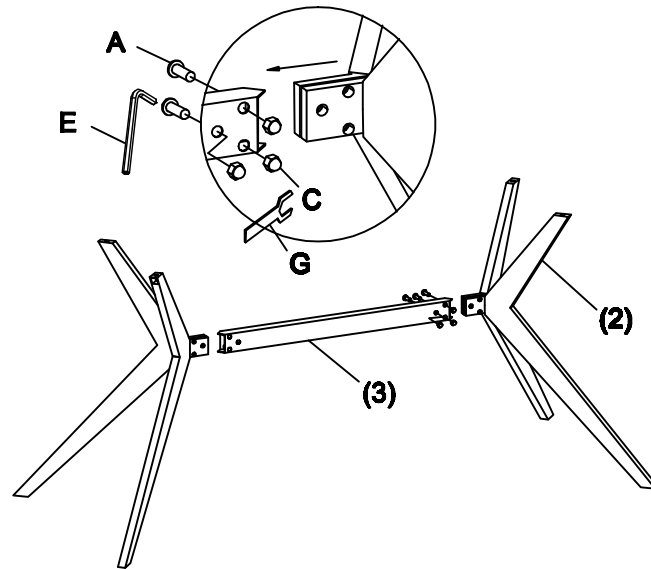


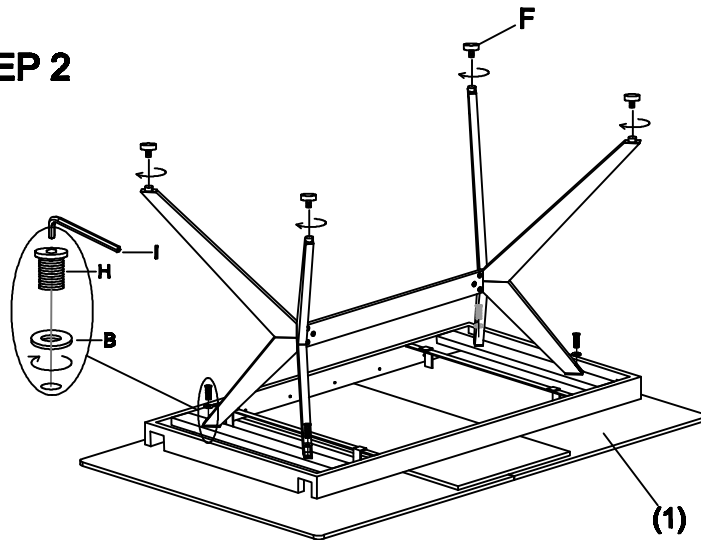
ASSEMBLY INSTRUCTIONS

STYLE 947

STEP 1



STEP 2



(1)		1
(2)		4
(3)		1

A		M8*20	6
B			4
C			6
E		6mm	1
F			4
G			1
H		M8*25	4
I		5mm	1

