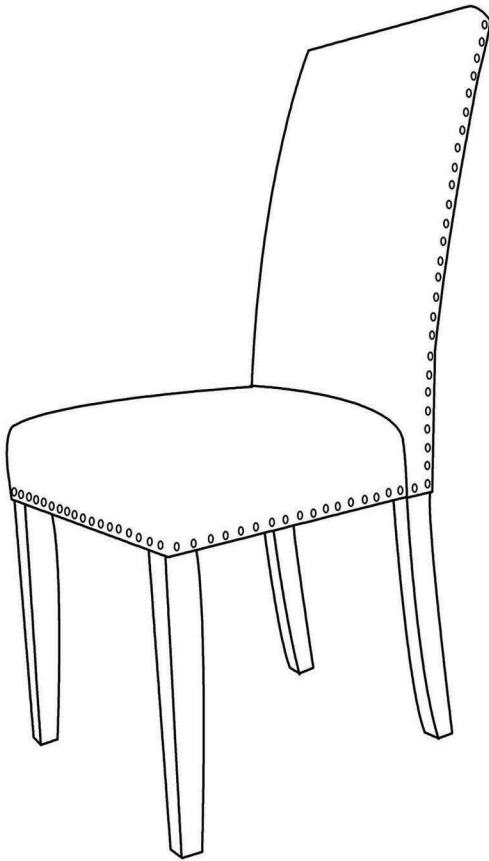





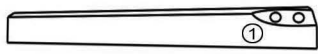
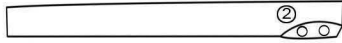
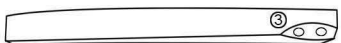
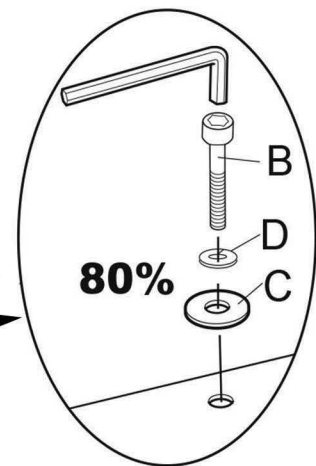
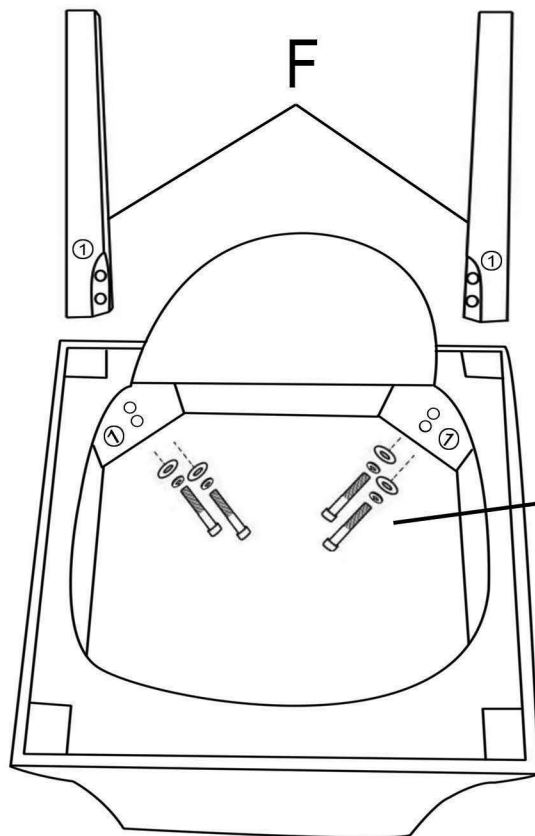


# ASSEMBLY INSTRUCTION



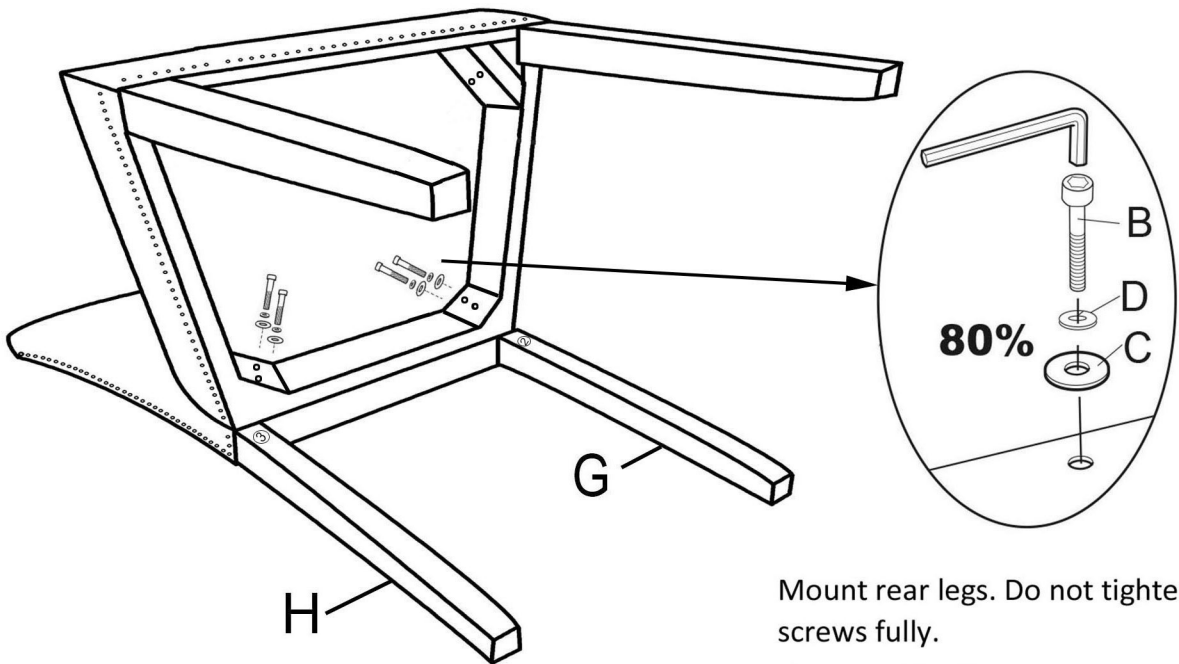
NO.	PARTS	Q'TY
A	 Seat	1
B	 M8x65mm	8
C	 ø8mm	8
D		8
E		1
F	 ① Front Leg	2
G	 ② Rear Leg	1
H	 ③ Rear Leg	1



Mount front legs. Do not tighten screws fully.

**STEP 1**

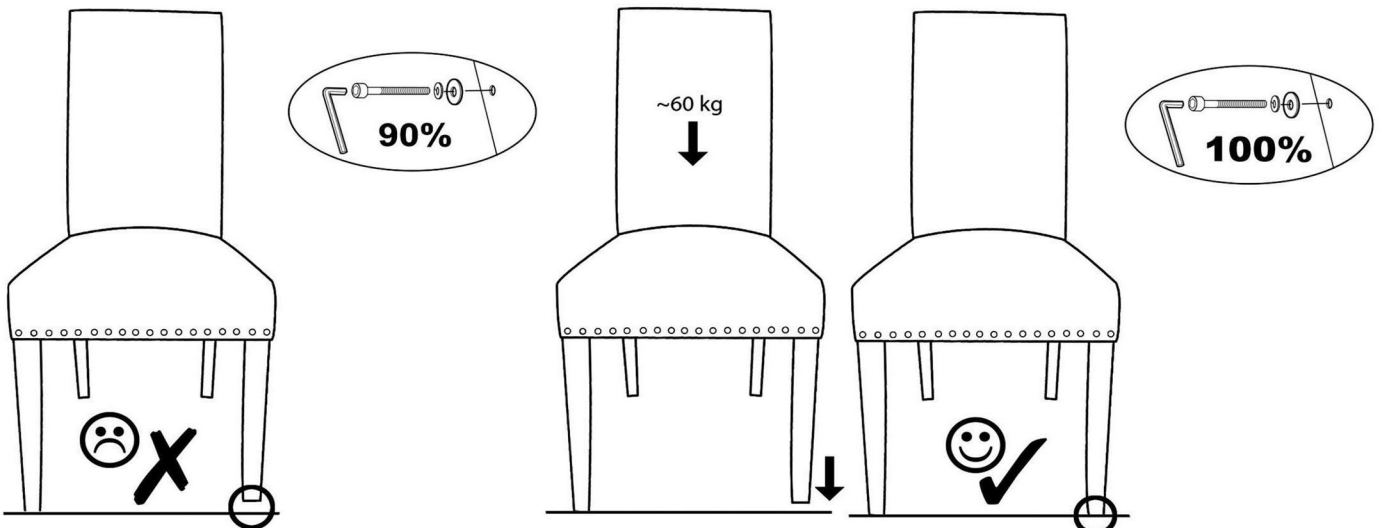
# ASSEMBLY INSTRUCTION



## STEP 2

### English

- Place the chair on an even surface.
- Put a load of approx. 60KG on to the seat.
- Adjust until all 4 legs are level – before you carefully tighten the screws.



## STEP 3