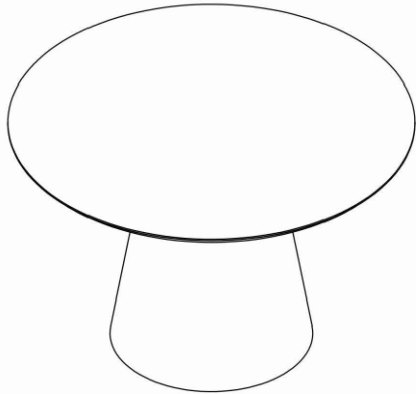


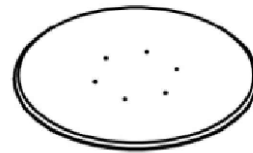
Assembly Instructions

Item No.: 955-25-10



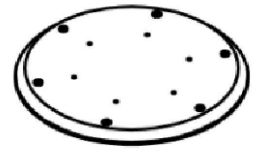
+ Parts Included

①



1pc

②



1pc

③

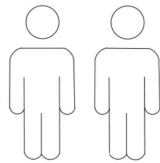


1pc

+ Do Not Use Power Tools



+ Suggested Adults

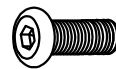


NOTE: For questions about parts or assembly please email support@shankar.uk.com

1. Read instructions cover to cover.
2. Save all packaging until assembly is completed.

+ Hardware Included

A



screw
(12pcs)

B



Flat washer
(12pcs)

C



Flat washer
(12pcs)

D



Allen Key
(1pc)

E



Pad
(8pcs)

IMPORTANT ASSEMBLY INFORMATION

Assembly Step:

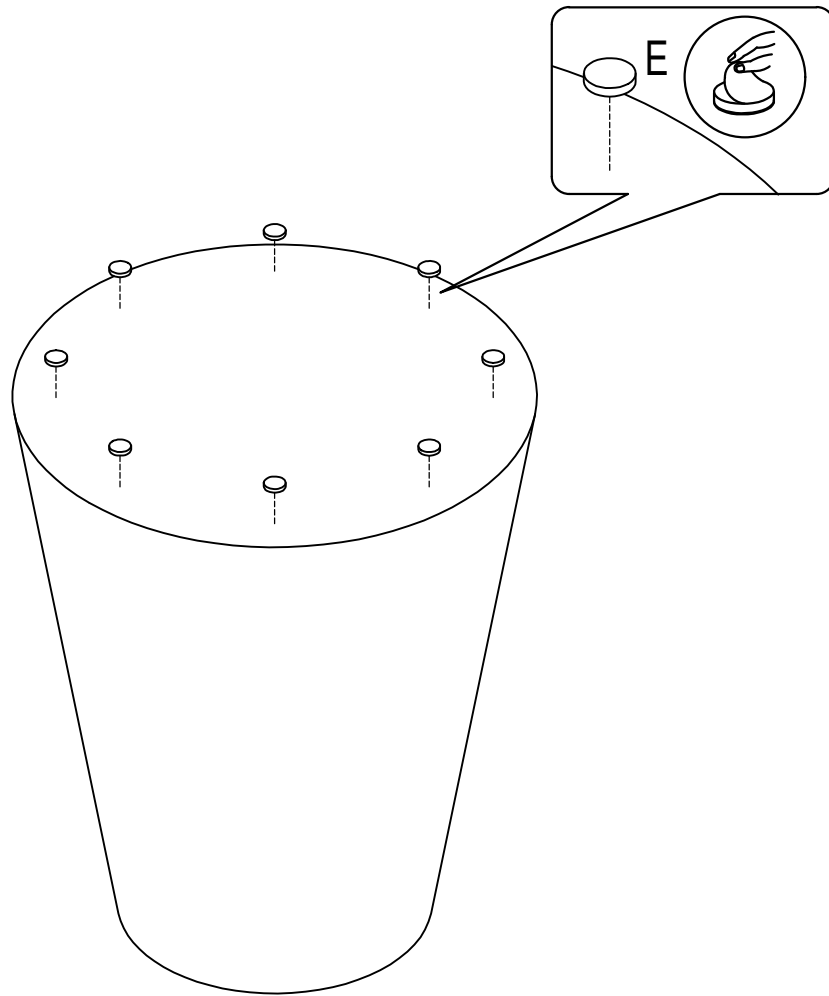
- 1) Use Screws to connect Part to Part.
- 2) Please strictly follow the assembly steps to assemble

Do not tighten until all hardware is locked

Assembly Instructions

Item No.: 955-25-10

①

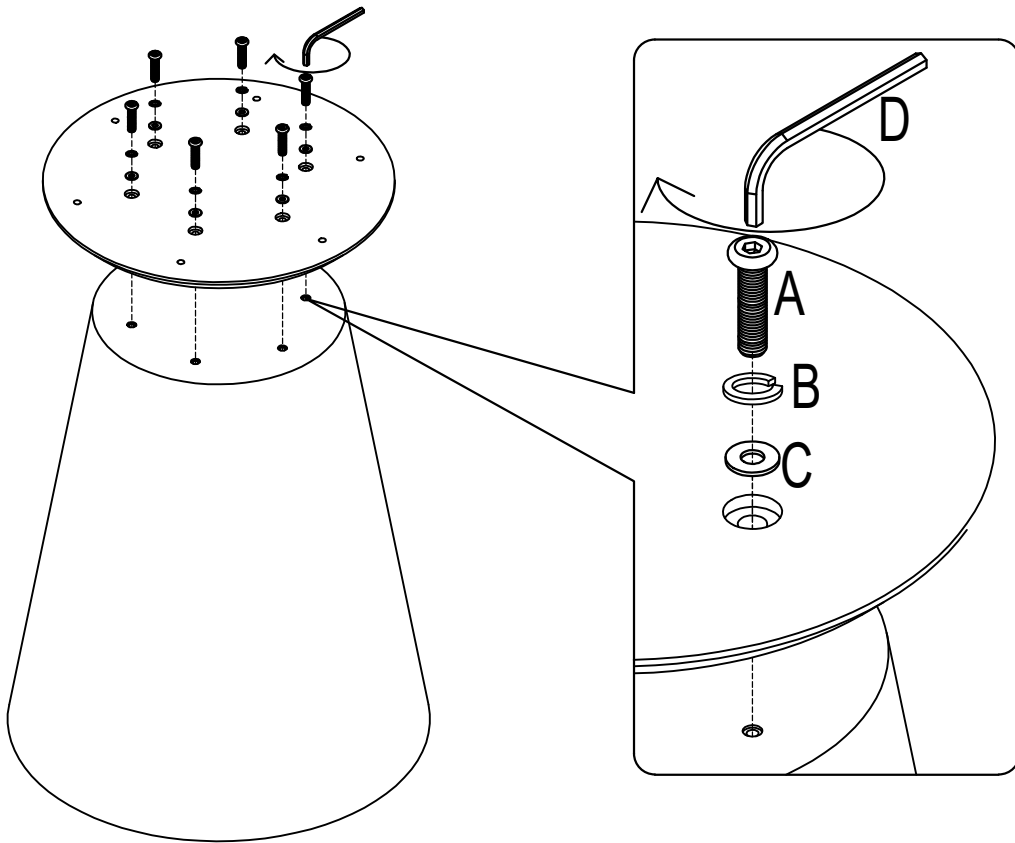


Do not tighten until all hardware is locked

Assembly Instructions

Item No.: 955-25-10

②



Do not tighten until all hardware is locked

Assembly Instructions

Item No.: 955-25-10

3

