

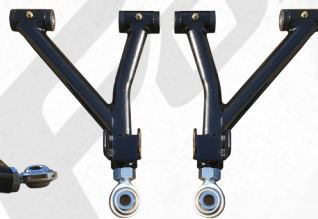
PROFORMX™ BY

A-ARM LIFT KIT

Fits E-Z-GO® RXV® 2008-2015



Front Suspension



Upper A-Arms



Rear Shock Plates



Warning Label



Front Spindles



Front Shocks



Rear Lift Blocks



Rear U-Bolts

TOOLS NEEDED

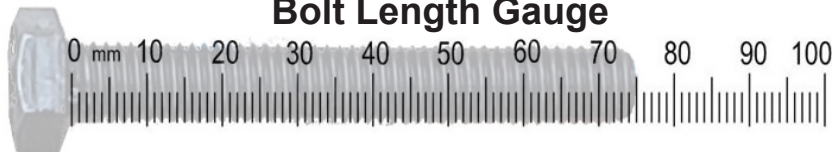
- 21mm socket
- 19mm socket
- 18mm socket
- 17mm socket
- 13mm socket
- 10mm socket
- 3/8 Allen Head Socket

- 17mm wrench
- 13mm wrench
- 12mm wrench
- 10mm wrench
- 6mm Allen Wrench
- Cordless Drill (optional)

PARTS LIST

- Front Suspension
- Front Spindles
- Upper A-Arms
- Rear Lift Blocks
- Rear Shock Plates
- Rear U-Bolts
- Hardware Pack
- Thread Locking Adhesive

Bolt Length Gauge



STEP 1

Switch key to the OFF position.

Place TOW/RUN switch to TOW.



STEP 2

Lift front of cart up with a floor jack and place jack stands under front frame.

Remove front wheels



STEP 3

You will need to remove the front bumper to access the front suspension.

Using a 15mm socket and wrench remove and retain the front bumper nuts highlighted (1 on each side).



STEP 4

Remove front wheel hubs with a 15/16" socket and retain.



STEP 5

Remove the cotter pin on the steering rack tie rod with needle nose pliers. Then remove the steering rack tie rod from the spindle with a 17mm socket.

Retain all.



STEP 6

Note: If the tie rod will not easily release from the spindle flip the castle nut upside down and thread it on until it's flush with the bottom threads. This will help protect the threads.

Tap the bottom of the tie rod with a hammer to release.



STEP 7

Remove the final upper shock nuts with a 15mm socket and wrench.

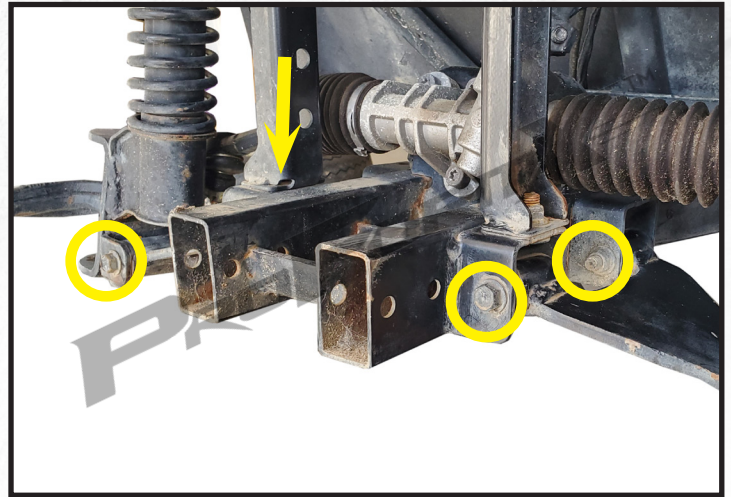
Leave the shock bolts in place for now.



STEP 8

Using a 15mm socket and wrench remove and retain the lower control arms from the frame at four locations.

Note: At this point the only thing keeping the front suspension on is the upper bolts on the shocks.



STEP 9

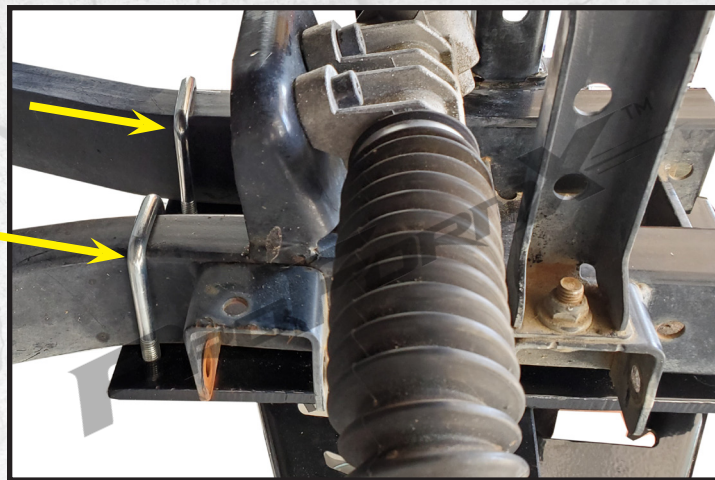
Remove the upper shock bolts to release the front shocks, control arms, and spindles from each side.



STEP 10

Place the small U-bolts included with your kit over the frame behind the control arm mounts as shown.

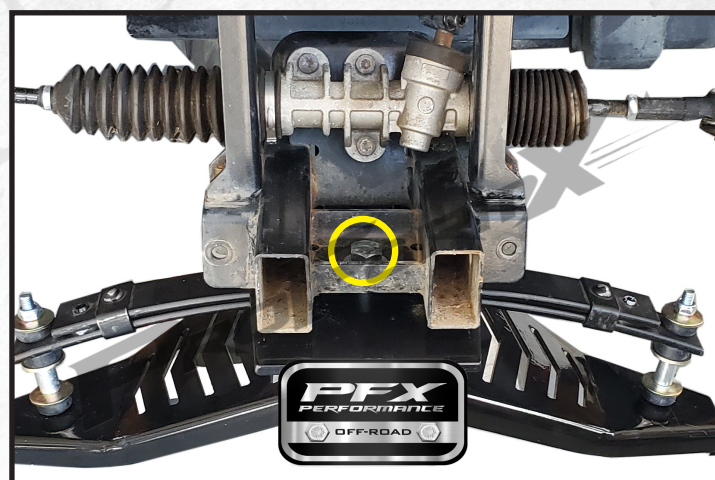
Place the new Front Suspension under the frame and secure with the supplied nuts and washers.
Do **NOT** tighten hardware



STEP 11

Secure the front of the Front Suspension to the frame as shown with the supplied 16 x 50mm bolt using a 24mm or 15/16" socket.

Tighten all Front Suspension hardware.

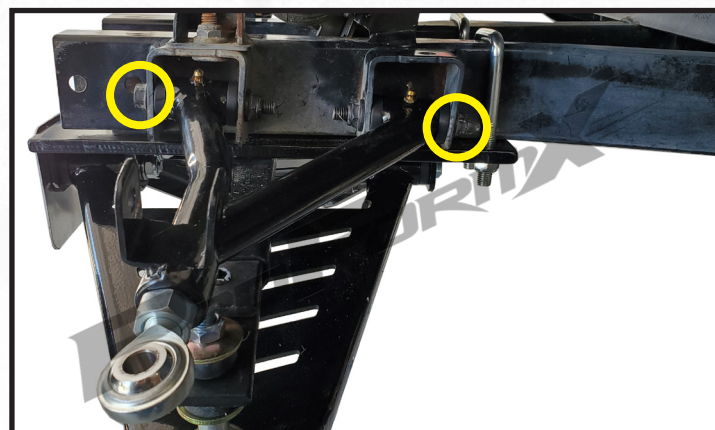


STEP 12

Before installing upper A-Arms grease zerk fittings.

Install A-Arms using the bolts and nuts from **step 9**.

Note: Angled tube of A-Arm goes towards rear of cart as shown.



STEP 13

Attach the new Shocks to the A-Arms **using the supplied bolts and hardware**.
Do **NOT** tighten until after next step.

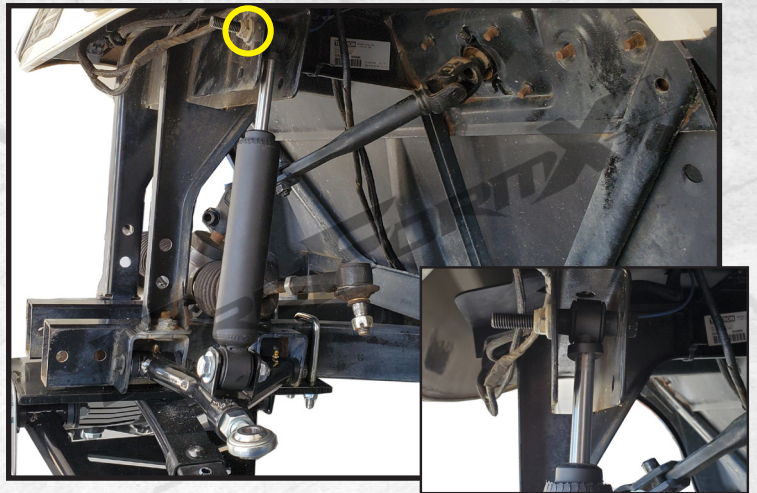


STEP 14

Using the hardware from **step 8**, secure the top of the new Shocks.

Note: *Shock bolt inserts from rear and nut attaches on the front.*

You can now tighten all Shock hardware.



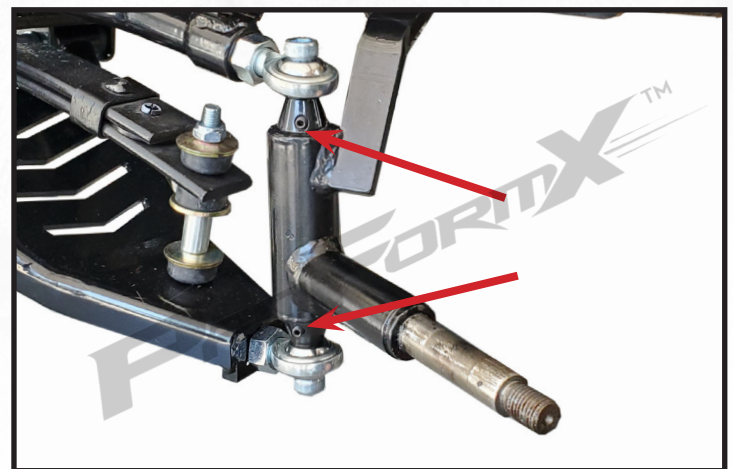
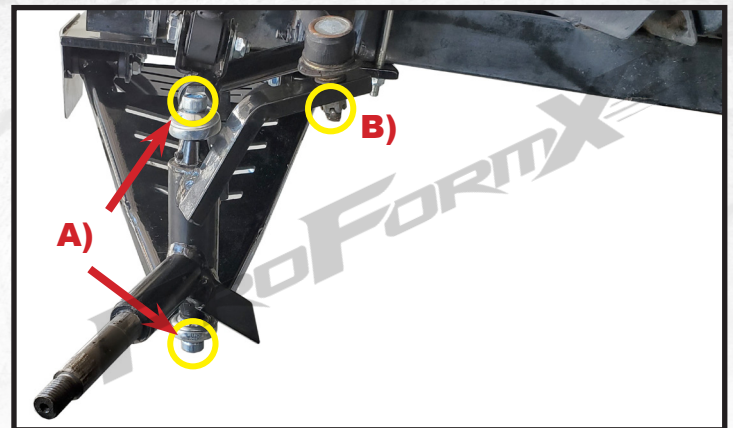
STEP 15

Note: *Use a 3mm Allen head wrench to back out set screws for proper spindle bolt penetration.*

A) Attach new Spindles using the supplied Allen head bolts with a 3/8" Allen head wrench.

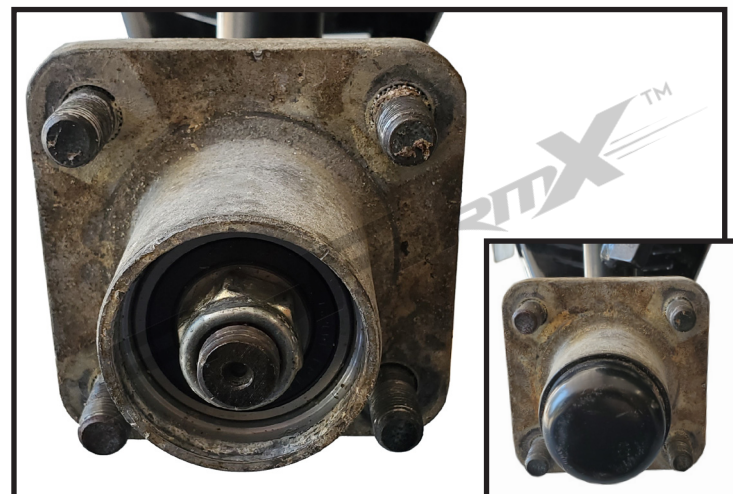
B) Attach steering rack arms using the hardware and cotter pin from **step 5**.

Do NOT re-tighten set screws or use thread locking adhesive on Allen head bolts until after alignment STEP 26.



STEP 16

Attach wheel hubs and dust caps from step 4 with a 15/16" socket. Tighten all the way, then back nut off quarter to half a turn so hub spins freely.



STEP 17

Front lift kit is assembled, reattach the front bumper using nuts from step 3.

You can now install your new front tires/wheels using 1/2" Lug Nuts and remove jack stands.

We recommend 22-23" tires and 12" or 14" x 7" wheels for proper clearance.



REAR LIFT INSTALL

STEP 18

Disengage parking brake and chock front wheels. Use a floor jack under rear end to lift rear of cart up and place jack stands under frame.

Remove rear wheels.

Note: Leave floor jack under rear end to support weight during install



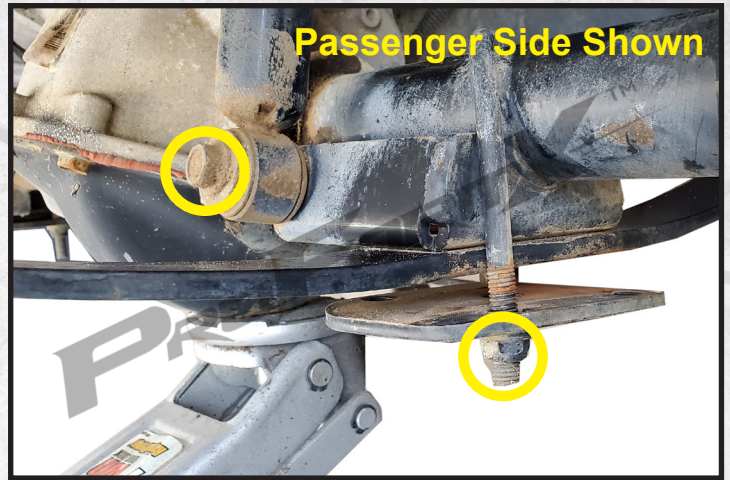
STEP 19

Loosen the Passenger side rear U-bolt from spring plate with a 15mm socket but **do NOT** fully remove nuts.

Remove shock bolt from the

Important: This side needs to be loosened first before installing Driver's side lift blocks.

***Now move to opposite side until after STEP 23.**

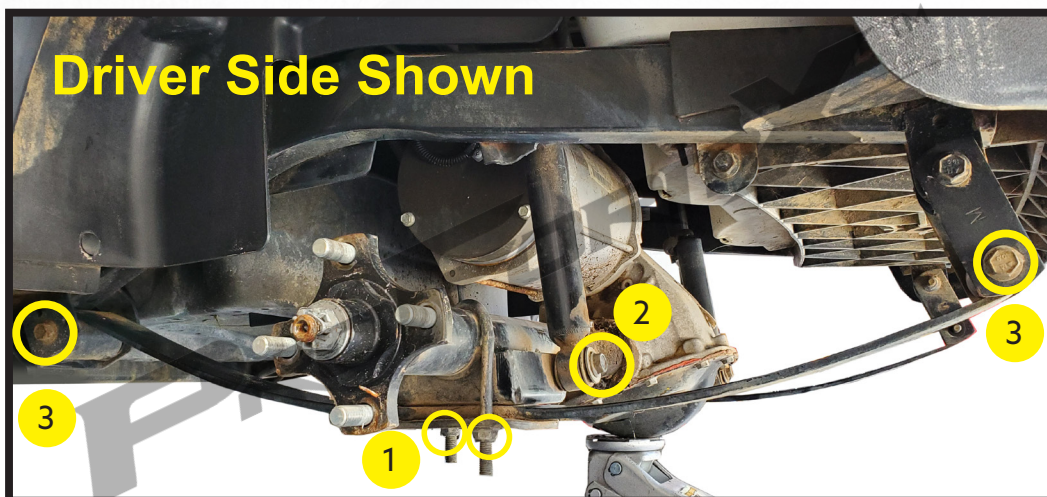


STEP 20

1) Moving to the Driver's side, remove the factory U-bolts from the spring plate with a 15mm socket. Do NOT keep U-bolts or hardware.

2) Using a 15mm socket, remove and retain the shock nut and bushings from the rear axle.

3) Temporarily remove the front and rear leaf spring bolts highlighted with a 15mm socket.



Note: Leave floor jack under rear end to support weight during install.

STEP 21

The Driver's side axle is now free, make sure floor jack is still under motor/axle to support weight.

Carefully lower floor jack to allow enough room to install rear lift block. Reinstall leaf spring **ABOVE** axle using hardware from STEP 20.

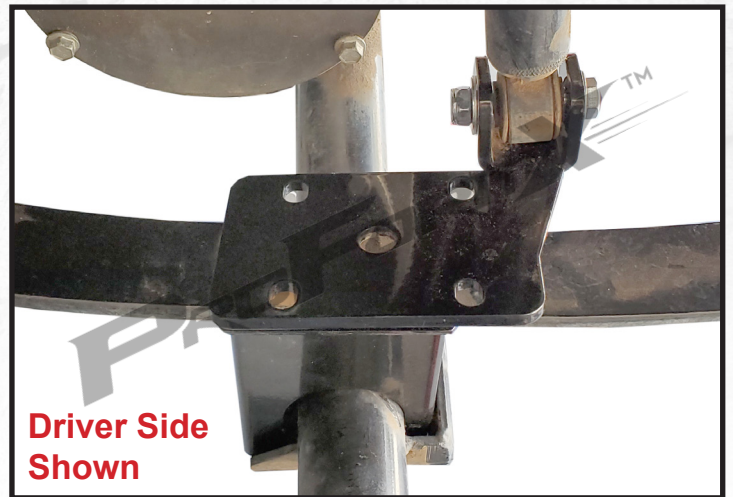


Thin leg of lift block goes towards back of cart *

STEP 22

Place the new Rear Shock Plate on top of the leaf spring as shown.

Attach shock using the supplied 10mm x 55mm bolts and hardware. **Do NOT** tighten yet.



STEP 23

Attach the supplied 8mm x 20mm hex head bolt, washer, and nut to the factory spring plate as shown using a 13mm socket and 13mm wrench.

Note: This bolts purpose is to keep the spring plate in line with the alignment hole located in the bottom of the axle.



STEP 24

Using the supplied U-Bolts and hardware, route the U-Bolts through the Shock Mount and down through the factory spring mount as shown. You may need to adjust the floor jack to make this step easier.

Once both ends of the U-bolt are in place, tighten hardware equally.

Make sure the leaf spring nut is properly sitting inside the new Shock Plate hole and the Hex head bolt from STEP 23 is recessed in rear axle plate while tightening hardware. All components should be tight together with no gaps between. A rubber mallet can be used to help align components.



STEP 25

Repeat STEPS 18-24 on Passenger's side.

Then install new wheels and tires using 1/2" x 20 Lug Nuts, lower cart, and proceed to alignment steps.

STEP 26

ALIGNMENT INSTRUCTIONS

WARNING

After installing this lift, the front wheels must be properly aligned. Failure to properly align the front wheels may result in decreased ability to control the golf cart which may result in a rollover or crash. **IMPORTANT:** Camber and toe must be adjusted for proper operation.

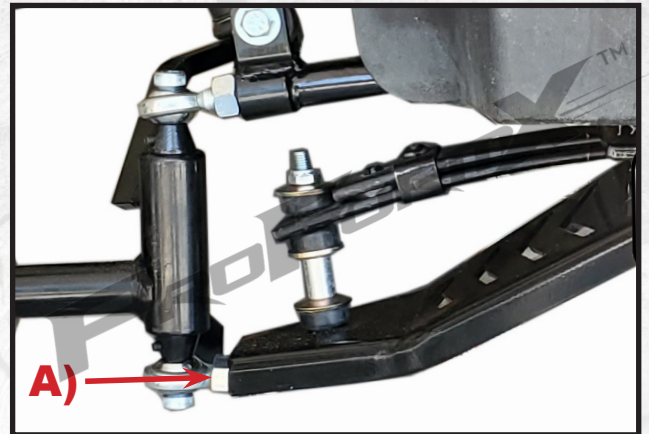
CAMBER ADJUSTMENT

To adjust for proper camber, use a framing square or level to verify the tire is resting at a 90 degree angle to the ground.

Adjust camber using the two nuts on the bottom heim joint **(A)**.

If adjusting the camber to 90 degrees is not possible using only the adjustment on the bottom heim joint **(B)** must be disconnected from the spindle and rotated as necessary to achieve the correct camber.

IMPORTANT: Be sure to retighten all hardware after adjustments are made. Once proper camber is achieved, use supplied threadlock adhesive on spindle bolts and tighten set screws in spindles.



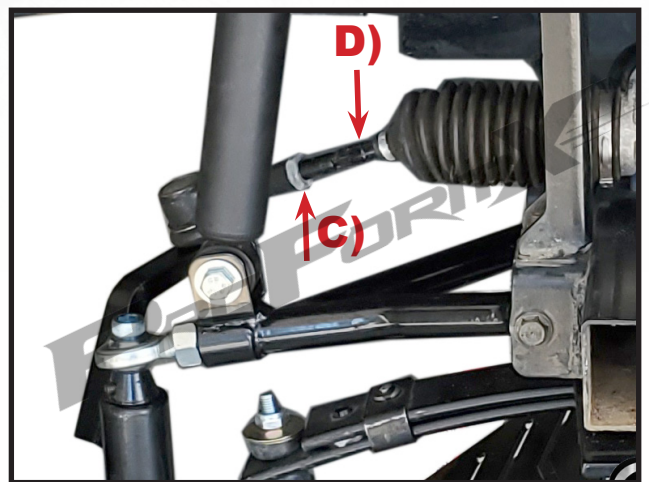
TOE ADJUSTMENT

Ensure tires are pointing as straight as possible and steering wheel is in the correct position.

First, find a common point to measure from on the inside front and inside rear of tires. You will need to adjust the steering arms until the front measurement is 1/4" greater than the rear measurement. Tires should toe **OUT** in the front.

To adjust steering rack, loosen nut on tie rod end **(C)** with a 3/4" wrench and adjust tires in or out on the steering rack using a **11/16"** wrench. Tighten nut on tie rod end when complete.

Test drive the cart and then recheck your measurements. Readjust if necessary.



HARDWARE LIST

RXV®

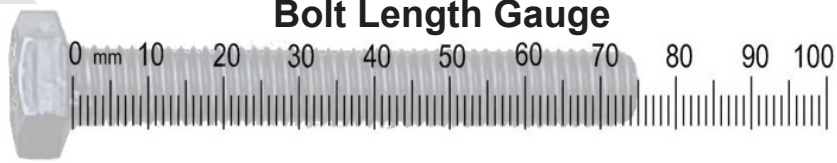
Hardware Pack

- 10mm x 50mm Shoulder Hex Bolts - 4

ProForm

Club Car®, Precedent®, and DS® are registered trademarks of Ingersoll Rand, Inc. E-Z-GO®, TXT®, and RXV® are registered trademarks of Textron Innovations, Inc. ("Textron"). Yamaha®, G-14®, G-19®, G-22®, G-29®, and Drive2® are registered trademarks of Yamaha Golf-Car Company and Yamaha Motor Corporation ("Yamaha"). Reference to Club Car®, E-Z-GO®, or Yamaha® or their associated trademarks and products is only for purposes of identifying golf carts with which this ProFormX™ product is compatible. ProFormX™ products are aftermarket parts and are not original equipment parts. ProFormX™ is not connected or affiliated with or sponsored by Club Car®, E-Z-GO®, or Yamaha® or endorsed by Ingersoll Rand Inc®, Textron Innovation Inc®, or Yamaha Golf Cart Company®.

Bolt Length Gauge



MYPROFORMX.COM