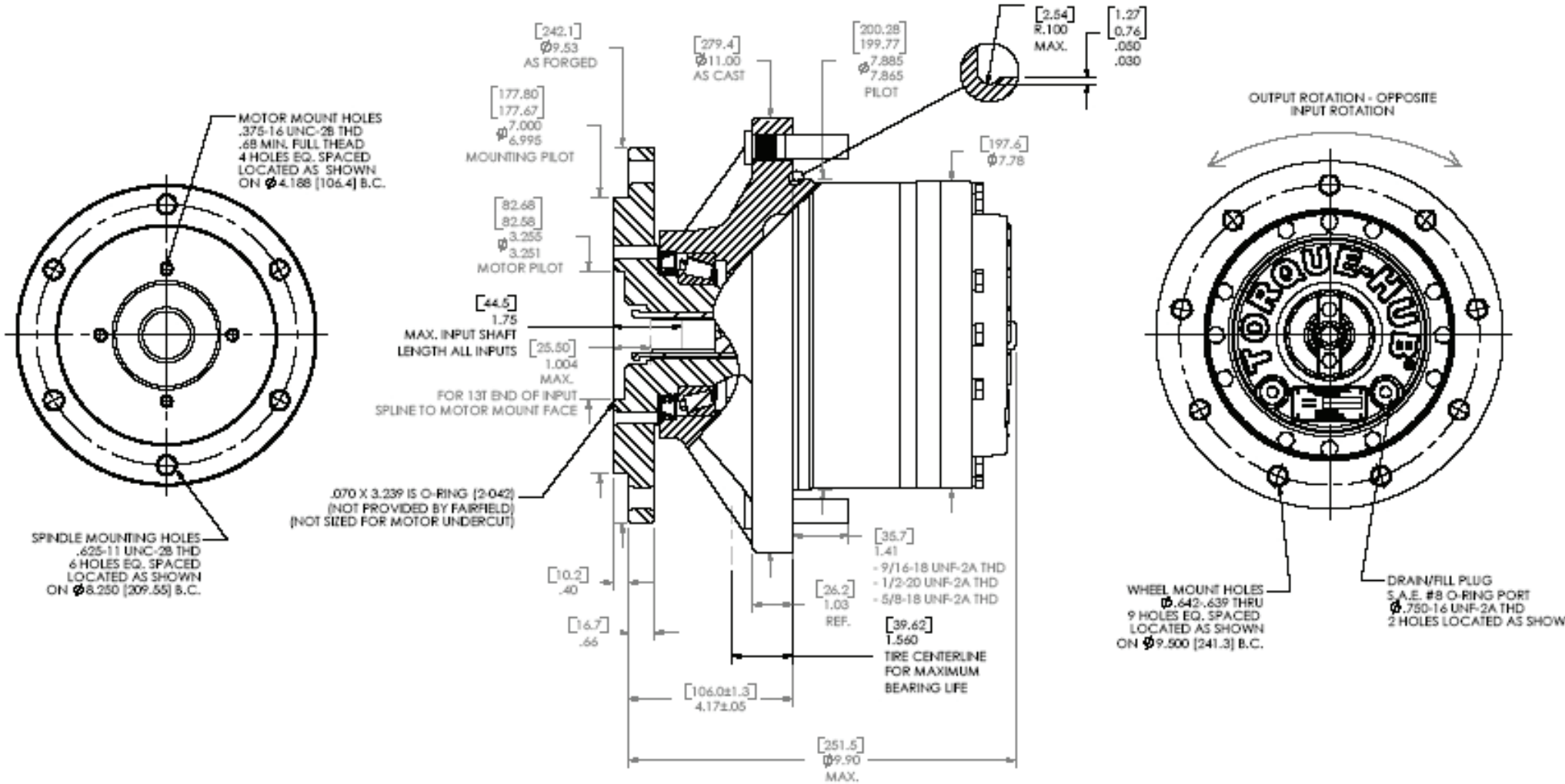


TORQUE-HUB
Planetary Final Drives



oerlikon
fairfield

Catalog prints are representative of the units.
Before final design request a certified print from Fairfield.

NOTE: MM SHOWN IN ()
MOTOR CAVITY DIMENSIONS VARY WITH MODEL

OTHER MODELS ALSO AVAILABLE
FAIRFIELD BRAKE AVAILABLE

W1A

Performance Data

Continuous	Intermittent	Peak
15,000 lb-in	30,000 lb-in	40,000 lb-in
1,250 lb-ft	2,500 lb-ft	3,333 lb-ft
1,690 Nm	3,381 Nm	4,508 Nm
172 kg-m	345 kg-m	460 kg-m

For ultimate torque and horsepower capacities, contact a Torque-Hub® representative.

Speed Limitations

Input Speed: 4,000 RPM Maximum Intermittent

Weight

Approximately 90 lbs (41 kg)

Note: Specific models will change weights.

W1A Model Formula

W – Torque-Hub® Wheel Drive

1 – Series

	Spindle			Hub		
	Motor Mount	Flange Mounting Dia.	Motor B.C.	Frame B.C.	Mounting Dia.	Flange B.C.
A4	SAE "A"	<u>5.250</u> 5.245	(2) 3/8-16 4.188 B.C.	(8) 5/8-11 6.500 B.C.	<u>7.885</u> 7.665	(9) .642/.639 9.500 B.C.

æerlikon
fairfield

Fairfield Manufacturing Company, Inc.

First in Custom Gears and Drive Systems

www.fairfieldmfg.com

Oil

Fill to half full with 90 weight gear lube with EP additive on most applications.

Approximate Volume 17 oz. (503 cm³)

Note: Oil level and type will vary with specific model and application.

Conditions of Bearing Curve

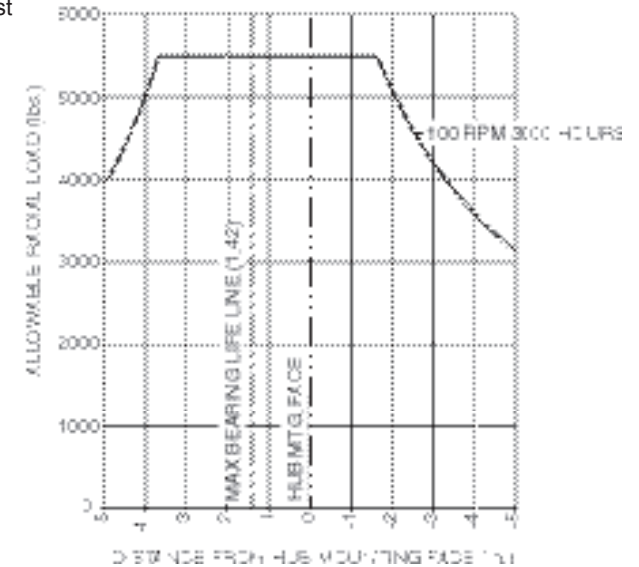
Life = 3,000 hours B-10

Speed = 100 RPM output

To adjust for loads and speeds other than shown on curve:

$$\text{Adjusted Life (hrs)} = 3,000 \left(\frac{100 \text{ RPM}}{\text{Speed (Adjusted)}} \right) \left(\frac{\text{Load (Curve)}}{\text{Load (Adjusted)}} \right)^{\left(\frac{10}{3} \right)}$$

Bearing Curve



W 1 A4 0 0 3 35

Options
O – None
Z – Seal Boot

Wheel Studs
0 – Not Included
4 – 1/2-20 x 1.875 long

Input Options
1 – 24T, 32/64 Spline
3 – 13T, 16/32 Spline

Ratios
18 – 18.25:1
24 – 24.85:1
30 – 30.05:1
35 – 35.13:1
40 – 40.25:1
47 – 47.33:1
49 – 49.29:1
58 – 57.89:1
68 – 68.00:1