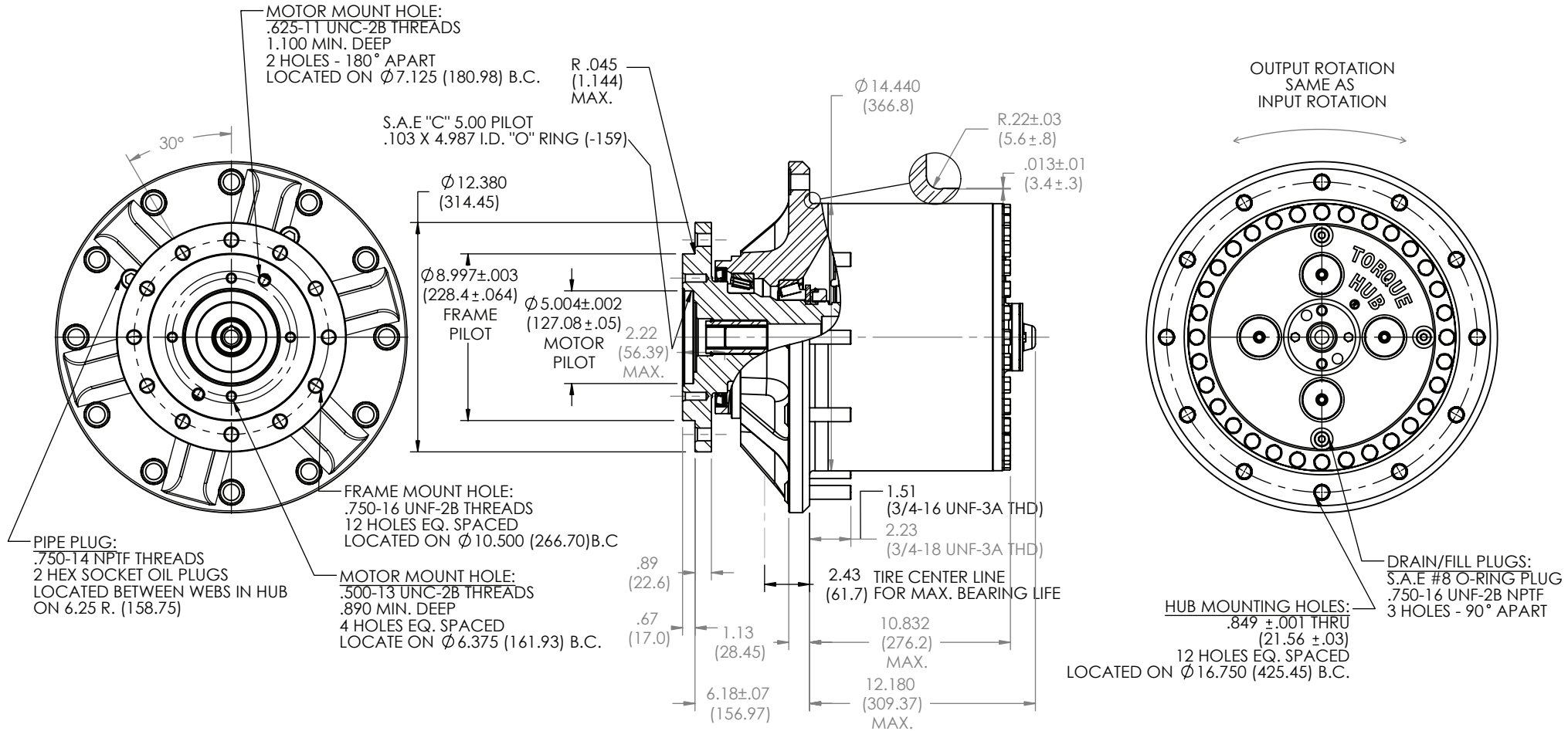


W16C3 Application Sheet

TORQUE-HUB
Planetary Final Drives



æerlikon
fairfield

Catalog prints are representative of the units.
Before final design request a certified print from Fairfield.

NOTE: MM SHOWN IN ()
MOTOR CAVITY DIMENSIONS VARY WITH MODEL

OTHER MODELS ALSO AVAILABLE
FAIRFIELD BRAKE AVAILABLE

W16C3

Performance Data

Continuous	Intermittent	Peak
160,000 in-lbs	320,000 in-lbs	
13,333 ft-lbs	26,667 ft-lbs	Contact Fairfield
18,079 N-m	36,158 N-m	
1,843 kg-m	3,686 kg-m	

For ultimate torque and horsepower capacities, contact a Torque-Hub® representative.

Speed Limitations

Input Speed: 4,000 RPM Maximum Intermittent

Weight

Approximately 500lbs (227kg)

Note: Specific models will change weights.

W16C3 Model Formula

W 16 C3 1 0 4 40 X

W- Torque-Hub Wheel Drive

16 - Series

Spindle			Hub		
Motor Mount	Flange Mounting Dia.	Motor B.C.	Frame B.C.	Mounting Dia.	Flange B.C.
C3	SAE "C"	(2) 5/8-11 7.125 B.C.	(12) 3/4-16 10.500	14.44/14.43	(12) .852/.849 16.750 B.C.

oerlikon
fairfield

Fairfield Manufacturing Company, Inc.
First in Custom Gears and Drive Systems

www.fairfieldmfg.com

Oil

Fill to half full with 90 weight gear lube with EP additive on most applications.

Approximate Volume 128oz (3785cc)

Note: Oil level and type will vary with specific model and application.

Conditions of Bearing Curve

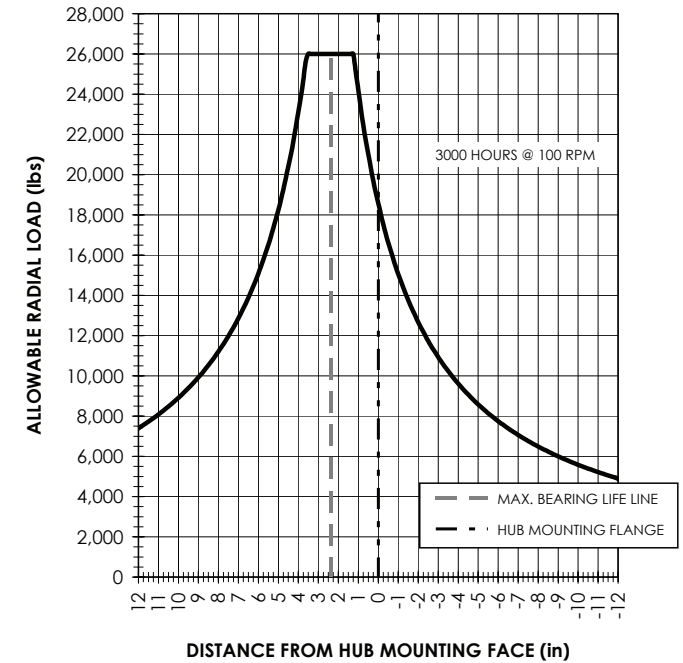
Life = 3,000 hours B10

Speed = 100 RPM output

To adjust for loads and speeds other than shown on curve:

$$\text{Adjusted Life (hrs)} = 3,000 \left(\frac{100 \text{ RPM}}{\text{Speed (Adjusted)}} \right) \left(\frac{\text{Load (Curve)}}{\text{Load (Adjusted)}} \right)^{\frac{10}{3}}$$

Bearing Curve



Studs in Wheel Flange

0 - Not Included
1 - 3/4 - 16 x 2 17/32
8 - 3/4 - 16 x 3 1/4

Input

4 - 14T, 12/24 Spline
7 - 21T, 16/32 Spline
C - 14T, 12/24 with Solid Cover Cap (has spring)
G - 23T, 16/32 Spline
5 - 13T, 8/16 Spline
E - 27T, 16/32 Spline

Reduction

20 - 20.3
29 - 29.2
40 - 39.4

Disengage Option

X - Anti-disengage spacer