

Service Data

Vickers®
Steering



Power Steering Pump

VTM27/28/42 Series -14 Design



Revised 04/01/97

M-2052-S

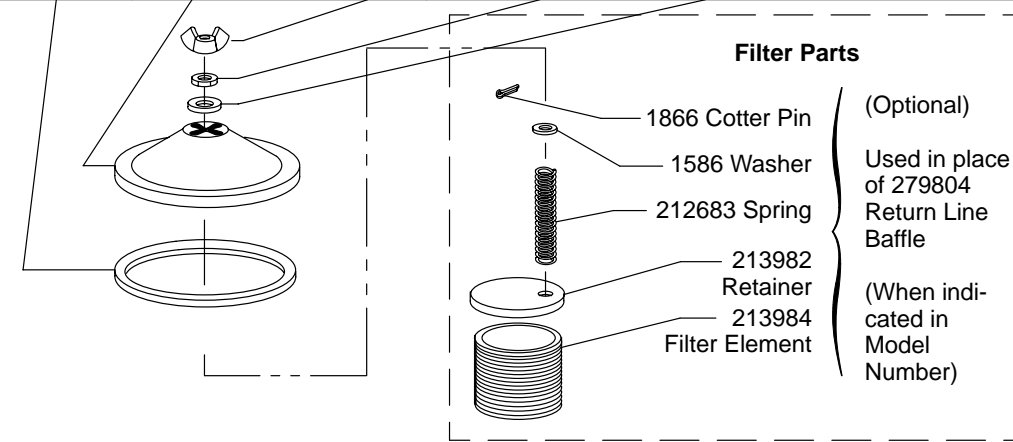
Gasket	Cover S/A	Wing Nut	Lock Washer	Washer	Model
291439	314269	109609	294050	233037	VTM**-**-**-07**-**-14
142521	375095			308075	VTM**-**-**-11**-**-14

Inlet Strainer
(Optional parts used when "S" is indicated in model number)

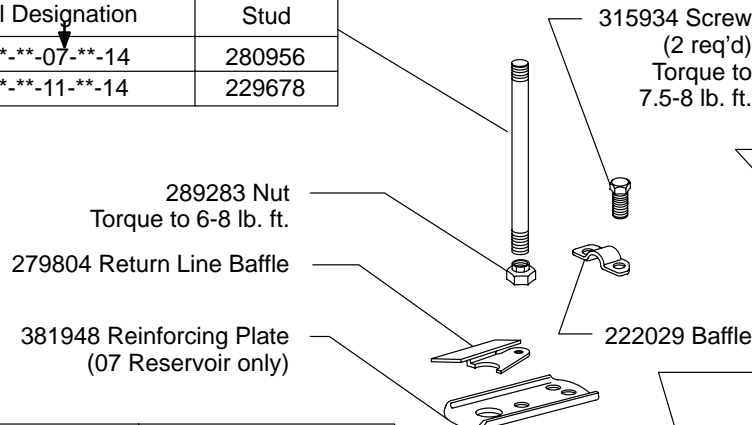
199144 Screw (2 req'd) Torque to 90-100 lb. ft. (Replaces 315934)

363014 Screen S/A (Replaces 222029)

381948 Plate

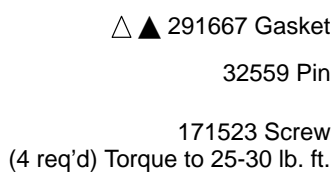


Model Designation	Stud
VTM**-**-**-07**-**-14	280956
VTM**-**-**-11**-**-14	229678

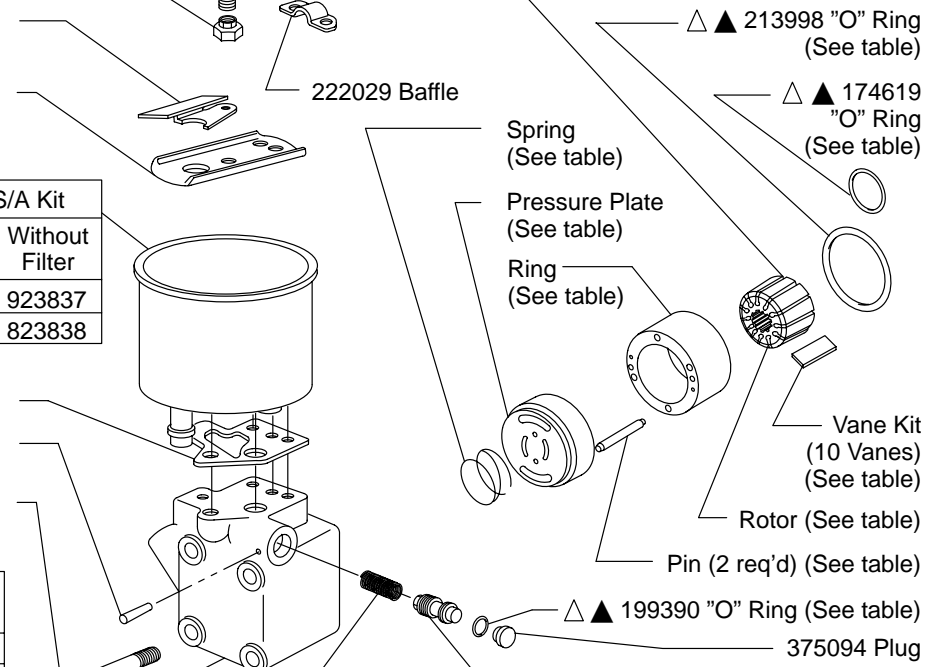


Note
Assemble rotor with counterbore toward body.

Model	Reservoir S/A Kit		
	Cu. In.	With Filter	Without Filter
VTM**-**-**-07**-**-14	70	923839	923837
VTM**-**-**-11**-**-14	115	923840	823838



Model Designation	Cover Sub. Assy.
VTM**-**-07**-**-14	574347
VTM**-**-15**-**-14	377547
VTM**-**-20**-**-14	377552
VTM**-**-25**-**-14	377548
VTM**-**-30**-**-14	377549
VTM**-**-35**-**-14	377555
VTM**-**-40**-**-14	377553
VTM**-**-45**-**-14	377550
VTM**-**-50**-**-14	379063
VTM**-**-55**-**-14	377554
VTM**-**-60**-**-14	379064
VTM**-**-65**-**-14	377551
VTM**-**-75**-**-14	379062



Model	Control Valve S/A
VTM**-**-02	229613
VTM**-**-03	255515
VTM**-**-05	233018
VTM**-**-06	247615
VTM**-**-07	232794
VTM**-**-08	397339
VTM**-**-10	232795
VTM**-**-12	232796
VTM**-**-15	232797
VTM**-**-17	232798
VTM**-**-20	232799
VTM**-**-35	284220

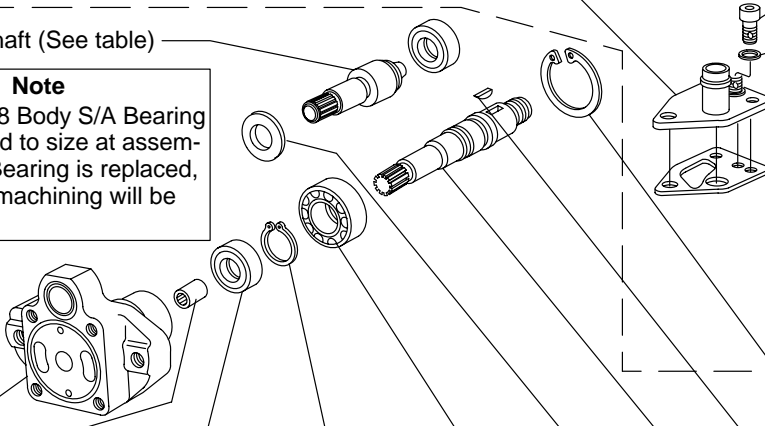
Manifold Parts

Model	Manifold Kit	Manifold S/A	Plug	Screw (3) Torque to 90-100 lb. in.	Washer	Gasket
VTM**-**-**-MA**-14	923844	280955	—	199144	28931	275260
VTM**-**-**-MB**-14	923845	280954				
VTM**-**-**-MD**-14	923846	281409	7075	315939		
VTM**-**-**-ME**-14	923847	275276				
VTM**-**-**-MF**-14	—	283905	—	199144		
VTM**-**-**-MG**-14		293026				
VTM**-**-**-MH**-14	—	292457	—	315939		
VTM**-**-**-MJ**-14		344082				
VTM**-**-**-MR**-14	—	413689	—	199144		
VTM**-**-**-MS**-14		—				
VTM**-**-**-NO**-14	—	—	—	—	—	283556

VTM 28 Shaft (See table)

Note

The VTM28 Body S/A Bearing is machined to size at assembly. If the Bearing is replaced, additional machining will be necessary.



- MA** - No Bypass Tube
- MB** - With Bypass Tube
- MD** - 90° Bend on Inlet Tube
- ME** - Casting W/Out Bypass Tube
- MF** - Casting with Bypass Tube
- MG** - No Bypass Swivel Coupling
- MH** - 90° Bend on Inlet Tube
- MJ** - Casting w/Out Bypass Tube
- MR** - 90° Bend on Inlet & Bypass Tube
- MS** - 90° Bend on Inlet Tube
- NO** - No Manifold

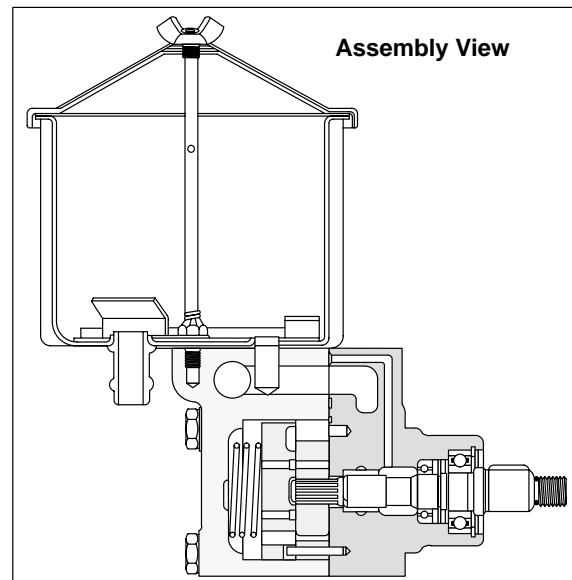
Body S/A Kit (Includes Ball & Bearing)	Bearing	Shaft Seal	Retaining Ring	Bearing	Washer	#1 Shaft	Key	Retaining Ring	Model
923951	222440	▲ 263585	193732	148423	—	250455	1606	172376	VTM27/42 Series
308048	184408	△ 188323	—	—	307569	307597	—	—	VTM28 Series

Spring	Pressure Plate	Pin (2 req'd)	Ring	Vane Kit (10 Vanes)	Rotor	Cartridge Kit	Model Designation	
289281	276396	217308	296594	912139	213860	923087	VTM**-10**-**-**-14	
			296595			923088	VTM**-15**-**-**-14	
			296596			923089	VTM**-20**-**-**-14	
245507		154364	296597	296597	922594	213859	923090	VTM**-40**-**-**-14
				296598			923091	VTM**-50**-**-**-14
				296599			923092	VTM**-60**-**-**-14

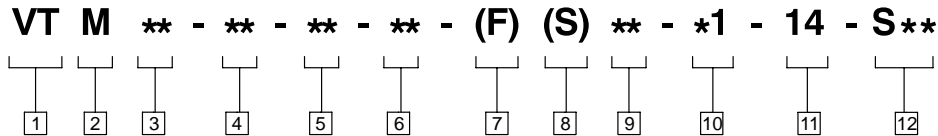
△ Included in 923086 VTM28 Seal Kit

▲ Included in VTM27 & VTM42 Seal Kit 922904

See **Overhaul Manual M-2050-S** for maintenance information.



Model Code



1 Vane Type

2 Mobil Application

Series

27
28
42

3 Capacity

10 - 1.0 US GPM
15 - 1.5 US GPM
20 - 2.0 US GPM
40 - 4.0 US GPM
50 - 5.0 US GPM
60 - 6.0 US GPM

**4 Controlled Flow
(1500 RPM @ 100 PSI)**

07 - 0.7 US GPM
15 - 1.5 US GPM
20 - 2.0 US GPM
25 - 2.5 US GPM
30 - 3.0 US GPM
35 - 3.5 US GPM
40 - 4.0 US GPM
45 - 4.5 US GPM
50 - 5.0 US GPM
55 - 5.5 US GPM
60 - 6.0 US GPM
65 - 6.5 US GPM
75 - 7.5 US GPM

5 Relief Valve Setting

02 - 250 PSI
03 - 300 PSI
05 - 500 PSI
07 - 750 PSI
08 - 850 PSI
10 - 1000 PSI
12 - 1250 PSI
15 - 1500 PSI
17 - 1750 PSI
20 - 2000 PSI
35 - 3500 PSI

6 Filter Parts

7 Inlet Screen

8 Reservoir or Manifold

07 - 70 Cu. In. Reservoir
11 - 115 Cu. In. Reservoir
MA - Manifold with no bypass tube
MB - Manifold with bypass tube
MD - Manifold - 90° bend on inlet tube
ME - Cast manifold with no bypass tube
MF - Cast manifold with bypass tube
MG - Manifold - no bypass swivel coupling
MH - Manifold - 90° bend on inlet tube
MJ - Cast manifold with no bypass tube
MR - Manifold - 90° bend on inlet and bypass tube
MS - Manifold - 90° bend on inlet tube
NO - Shipping closure

9 Pump Rotation

(Viewed from Shaft End)

R - Clockwise
L - Counterclockwise

10 Shaft No. 1

11 Design

12 Special Features

For satisfactory service life of these components in industrial applications, use full flow filtration to provide fluid which meets ISO cleanliness code 18/15 or cleaner. Selections from Eaton OFP, OFR, and OFRS series are recommended.