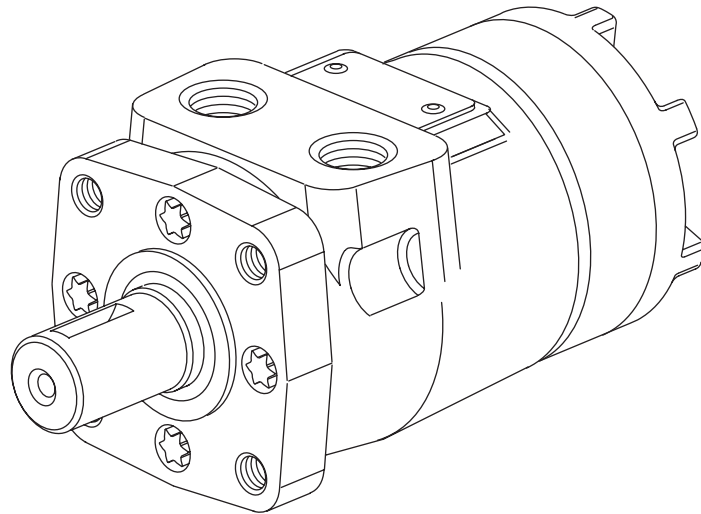


Char-Lynn®
Hydraulic Motor

January, 1995



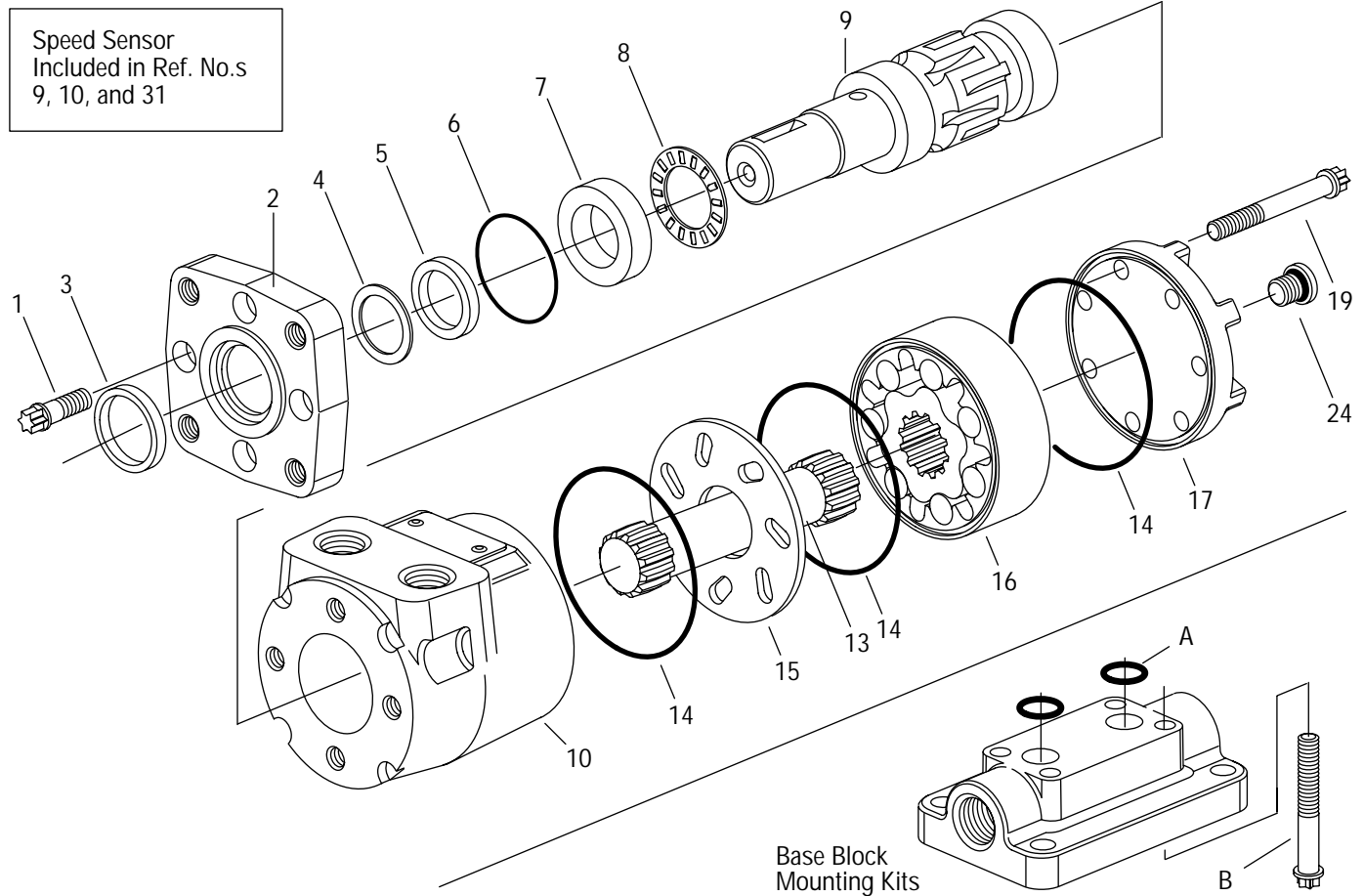
Parts Information



T Series
General Purpose Geroler® Motor

001

Displ. cm ³ /r [in ³ /r]	Ref. No. 13		Ref. No. 16		Ref. No. 19	
	Drive	Length mm [in.]	Geroler®	Width mm [in.]	Screw, Cap	Length mm [in.]
36 [2.2]	602-000	76,2 [3.00]	22801-001	6,6 [.26]	16294-150	38,1 [1.50]
49 [3.0]	201111-001	78,7 [3.10]	22801-002	8,9 [.36]	16294-162	41,1 [1.62]
66 [4.0]	616-000	81,8 [3.22]	22801-003	11,9 [.47]	16294-175	44,5 [1.75]
80 [4.9]	201111-002	84,6 [3.33]	22801-004	14,7 [.58]	16294-188	47,8 [1.88]
102 [6.2]	201111-003	88,6 [3.49]	22801-005	18,5 [.73]	16294-200	50,8 [2.00]
131 [8.0]	201111-004	94,0 [3.70]	22801-006	23,9 [.94]	16294-225	57,2 [2.25]
157 [9.6]	201111-005	90,8 [3.90]	22801-007	29,0 [1.14]	16294-238	60,5 [2.38]
195 [11.9]	201111-006	105,7 [4.16]	22801-008	35,6 [1.40]	16294-262	66,5 [2.62]
244 [14.9]	201111-007	114,8 [4.52]	22801-009	44,5 [1.76]	16294-300	76,2 [3.00]
306 [18.7]	201111-008	126,2 [4.97]	22801-010	56,1 [2.21]	16294-350	88,9 [3.50]
370 [22.6]	201111-009	137,9 [5.43]	22801-012	67,8 [2.66]	16294-400	101,6 [4.00]



Ref. No.	Part Number	Description	Quantity
1	16292-088	Screw, Cap (6 Point (E10) Drive 5/16-24 x 7/8)	4
2	22000-001	Flange Mounting (2 Bolt)	1
	22000-002	Flange Mounting (4 Bolt) 3/8-16 UNC	1
	22000-006	Flange Mounting (4 Bolt) M10 x 1,5	1
	22000-004	Flange Mounting (2 Bolt SAE B)	1
	22000-005	Flange Mounting (4 Bolt Magneto)	1

Continued on Page 3

Continued from Page 2

Ref. No.	Part Number	Description	Quantity
X 3	9121-002	Seal, Exclusion	1
X 4	22002-000	Washer, Backup	1
X 5	9057-014	Seal, Pressure	1
X 6	9091-001	Seal	1
7	7462-000	Race, Thrust Bearing	1
8	7537-000	Bearing, Thrust Needle	1
9	7360-001	Shaft, Output (1 in. Dia. Straight with Woodruff Key Slot)	1
	220879-001	Shaft, Output (1 in. Dia. Straight with Woodruff Key Slot) — <i>Speed Sensor Shaft</i>	1
	7360-002	Shaft, Output (SAE 6B Splined)	1
	7360-007	Shaft, Output (1 in. Dia. Straight with .315 Dia. Crosshole)	1
	7360-008	Shaft, Output (1 in. Dia. Straight with .406 Dia. Crosshole)	1
	7360-024	Shaft, Output (25 mm Dia. Straight)	1
	7360-016	Shaft, Output (7/8 in. Dia. SAE B 13 T Splined)	1
	220880-016	Shaft, Output (7/8 in. Dia. SAE B 13 T Splined) — <i>Speed Sensor Shaft</i>	1
	7360-017	Shaft, Output (7/8 in. Dia. Straight SAE B Straight)	1
	7360-018	Shaft, Output (1 in. Dia. Tapered)	1
	14193-000	Key, Woodruff (1 in. Dia. Straight Shaft)	1
	14193-000	Key, Woodruff (for Tapered Shaft)	1
	14391-004	Key, Straight (for 7/8 in. Dia. Shaft)	1
	14462-006	Key, Straight (for 25 mm Dia. Shaft)	1
	14381-000	Nut (for Tapered Shaft)	1
10	201285-001	Housing, 7/8-14 O-ring Ports	1
	201138-001	Housing, 7/8-14 O-ring Ports — <i>Speed Sensor Housing</i>	1
	201285-002	Housing, 1/2 NPTF Ports	1
	201138-002	Housing, 1/2 NPTF Ports — <i>Speed Sensor Housing</i>	1
	201285-003	Housing, Manifold Ports (5/16-18 UNC)	1
	201138-003	Housing, Manifold Ports (5/16-18 UNC) — <i>Speed Sensor Housing</i>	1
	201285-004	Housing, Manifold Ports (M8 x 1.5)	1
	201285-006	Housing, (G 1/2 (BSP))	1
X 11	N/A	O-ring	1
12	N/A	Plug	1
13	*	Drive	1
X 14	9086-005	Seal	3
15	22808-000	Plate, Spacer	1
16	*	Geroler	1
17	23986-001	Cap, End (No Port)	1
	23986-002	Cap, End (with Drain Port 7/16-20 O-ring)	1
	23986-003	Cap, End (with Drain Port G 1/4 (BSP))	1
X 18	—	Seal, Washer	7
19	*	Screw, Cap (6 Point (E10) Drive 5/16-24)	7
24	9072-003	Plug/ O-ring (7/16-20 Drain Port)	1
X	250003-904	O-ring for 7/16-20 Drain Port Plug	1
	9170-002	Plug/O-ring (G 1/4 (BSP) Drain Port)	1
	—	O-ring for G 1/4 (BSP) Drain Port Plug	1
31	201137-001	Sensor, Speed — 127mm [5.0 in.] Lead Wire	1

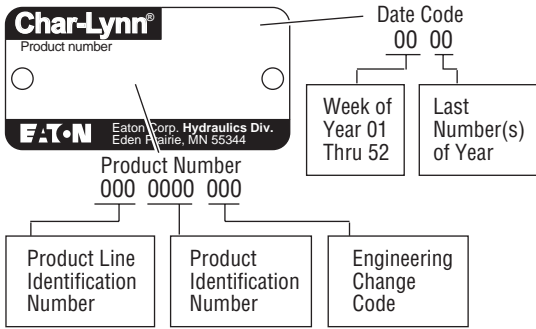
Continued on back page

T Series

Ref. No.	Part Number	Description
	60564-000	Seal Kit (Buna N) — Contains Parts Indicated by X
	60566-000	Seal Kit (same as above with one exception - Shaft Seal is Viton®)
	60565-000	Seal Kit (Viton) — Contains Parts Indicated by X (Part No.s Differ from those Shown)
Mounting Kit	123-1007	Base Block Mounting Kit (1/2 NPTF Ports (Manifold Mount Motors Only))
	123-1008	Base Block Mounting Kit (7/8-14 O-ring Ports (Manifold Mount Motors Only))
X A	15058-000	Seal, O-ring (2)
B	267512-019	Screw, Cap (5/16-18 Thread (4))
	14474-003	Screw, Cap (M8 x 1.5) Thread (4))

Viton® is a Registered Trade Name of Dupont Corporation.

* See Chart Above Part Dwg. Page 2. N/A — Not Applicable



How to Order Replacement Parts

Each Order Must Include the Following:

1. Product Number
2. Date Code
3. Part Name
4. Part Number
5. Quantity of Parts

For More Detailed Information Contact Eaton Corp. Hydraulics Division 15151 Highway 5 Eden Prairie, MN 55344.

- Specifications and performance data, Catalog No. 11-885
- When servicing T Series Motors refer to Repair Information No. 7-145. This repair manual lists tools required, and step by step disassembly and reassembly procedures.

Product Numbers—T Series -001

Add three digit prefix —**158**—to four digit number from chart for complete product number—Example 158-1068.

Mounting	Shaft	Ports	Displ. cm ³ /r [in ³ /r] Product Number 158-xxxx											
			36 [2.2]	49 [3.0]	66 [4.0]	80 [4.9]	102 [6.2]	131 [8.0]	157 [9.6]	195 [11.9]	244 [14.9]	306 [18.7]	370 [22.6]	
2 Bolt Flange	1 in. Straight w/Woodruff Key	7/8-14 O-ring	158-	—	—	-1537	-1034	-1035	-1538	-1036	-1037	-1038	-1039	-1040
		1/2 NPTF	158-	—	—	-1540	-1026	-1027	-1541	-1028	-1029	-1030	-1031	-1032
		Manifold	158-	—	—	-1543	-1042	-1043	-1544	-1044	-1045	-1046	-1047	-1048
2 Bolt Flange	1 in. SAE 6B Splined	7/8-14 O-ring	158-	—	—	-1552	-1082	-1083	-1553	-1084	-1085	-1086	-1087	-1088
		1/2 NPTF	158-	—	—	-1555	-1074	-1075	-1556	-1076	-1077	-1078	-1079	-1080
		Manifold	158-	—	—	-1558	-1090	-1091	-1559	-1092	-1093	-1094	-1095	-1096
4 Bolt Flange	1 in. Straight w/Woodruff Key	7/8-14 O-ring	158-	—	—	-1570	-1010	-1011	-1571	-1012	-1013	-1014	-1015	-1016
		1/2 NPTF	158-	—	—	-1573	-1002	-1003	-1574	-1004	-1005	-1006	-1007	-1008
		Manifold	158-	—	—	-1576	-1018	-1019	-1577	-1020	-1021	-1022	-1023	-1024
	1 in. SAE 6B Splined	7/8-14 O-ring	158-	—	—	-1579	-1058	-1059	-1580	-1060	-1061	-1062	-1063	-1064
		1/2 NPTF	158-	—	—	-1582	-1050	-1051	-1583	-1052	-1053	-1054	-1055	-1056
		Manifold	158-	—	—	-1585	-1066	-1067	-1586	-1068	-1069	-1070	-1071	-1072

158-1068

Eaton
Fluid Power Group
Hydraulics Business USA
14615 Lone Oak Road
Eden Prairie, MN 55344
USA
Tel: 952-937-9800
Fax: 952-294-7722
www.eaton.com/hydraulics

Eaton
Fluid Power Group
Hydraulics Business Europe
Route de la Longeraie 7
1110 Morges
Switzerland
Tel: +41 (0) 21 811 4600
Fax: +41 (0) 21 811 4601

Eaton
Fluid Power Group
Hydraulics Business Asia Pacific
11th Floor Hong Kong New World Tower
300 Huaihai Zhong Road
Shanghai 200021
China
Tel: 86-21-6387-9988
Fax: 86-21-6335-3912