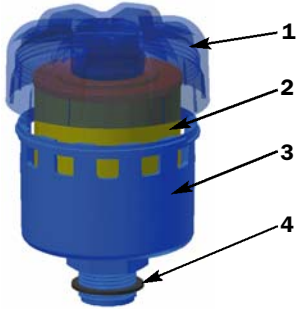


Nylon breather filter



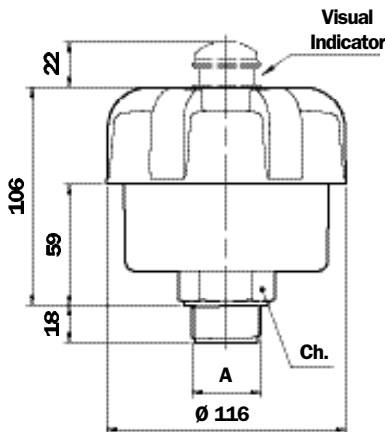
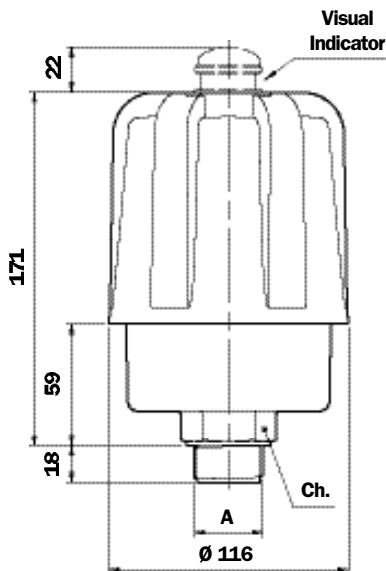
SAP115 (Materials)

- 1 - Cover: Nylon
- 2 - Breather filter: Resin impregnated cellulose
Inorganic microfibre
- 3 - Connection: Nylon
- 4 - Seals: NBR
FPM



Clogging indicator

Set pressure: - 0.062 bar ± 10 %
Manual reset



Series SAP 115

Ordering information

Breather filter	1	2	3	4	5	6	7
SAP115	<input type="checkbox"/>	<input type="checkbox"/>	<input type="checkbox"/>	<input type="checkbox"/>	<input type="checkbox"/>	<input type="checkbox"/>	<input type="checkbox"/>
Example: SAP115	2	A	A03	A	1	B	P01
Filter element	1	3	7				
A115	<input type="checkbox"/>	<input type="checkbox"/>	<input type="checkbox"/>				
Example: A115	2	A03	P01				

1 - Length

- 1
- 2

2 - Connection

- A** G 1"
- B** M33x2
- C** G 1 1/2"

3 - Filter element

- L10** Resin impregnated cellulose 10 µm
- A03** Inorganic microfibre 3 µm

4 - Seals

- A** NBR
- V** FPM

5 - Variants

- 0** Without
- 1** With anti-slosh feature

6 - Indicator

- A** Without
- B** Visual indicator

7 - Options

- P01** MP Standard filters

Flow rate with Δp: 0,02 bar

TYPE	Filtration	l/min		Weight
		SAP 115 1	SAP 115 2	
G 1"	L10	2170	2800	SAP 115 1: 0,410 Kg SAP 115 2: 0,525 Kg
	A03	1830	2800	
G 1 1/2"	L10	2330	3000	
	A03	1995	3000	

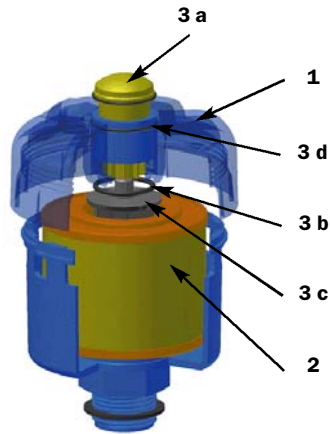
Dimensions

Connection	A	Ch. (mm)
A	G 1"	41
B	M33x2	41
C	G 1 1/2"	55

Changing the filter element in breather filters series **SAP 115**

- 1 Thoroughly clean the plug and adjacent parts.
- 2 Unscrew and raise the cover.

- 3 Renew the filter element and screw the cover fully home into the cartridge (DO NOT OVER TIGHTEN).



SAP 115 spare parts

Pos.	Description	Q.ty	Plug series SAP 115	
1	Complete plug	1	See order table	
2	Filter Element	1	See order table	
3	Indicator Kit	1	NBR 02005187	VITON 02005188
3a	Visual indicator	1	S62P01	
3b	Seal	1	O-R 3106 Ø 26,64 X 2,62	
3c	Indicator securing screw	1	01022670	
3d	O-R indicator	1	O-R 2112 Ø 28,3 x 1,78	