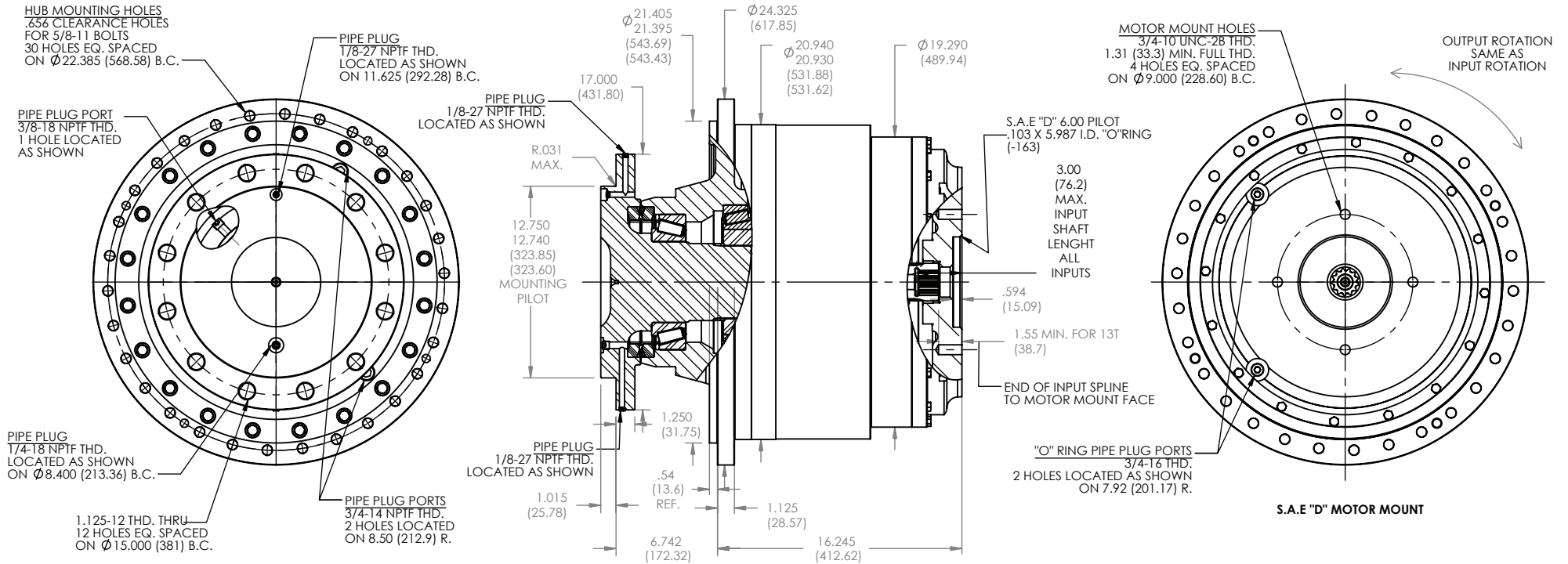


TORQUE-HUB®
Planetary Final Drives



Catalog prints are representative of the units.
Before final design request a certified print from Fairfield.

NOTE: MM SHOWN IN ()
MOTOR CAVITY DIMENSIONS VARY WITH MODEL

OTHER MODELS ALSO AVAILABLE
FAIRFIELD BRAKE AVAILABLE

S40B1

Performance Data

Continuous	Intermittent	Peak
400,000 in-lbs	800,000 in-lbs	Contact Fairfield
33,333 ft-lbs	66,667 ft-lbs	
45,198 N-m	90,395 N-m	
4,607 kg-m	9,215 kg-m	

For ultimate torque and horsepower capacities, contact a Torque-Hub® representative.

Speed Limitations

Input Speed: 3,000 Rpm Maximum Intermittent

Contact Fairfield for speed limitations and horsepower.

Weight

Approximately 1,400lbs (636kg)

Note: Specific models will change weights.

S40B Model Formula

Oil

Fill to half full with 90 weight gear lube with EP additive on most applications.

Approximate Volume: 500oz (14785cc)

Note: Oil level and type will vary with specific model and application.

Conditions of Bearing Curve

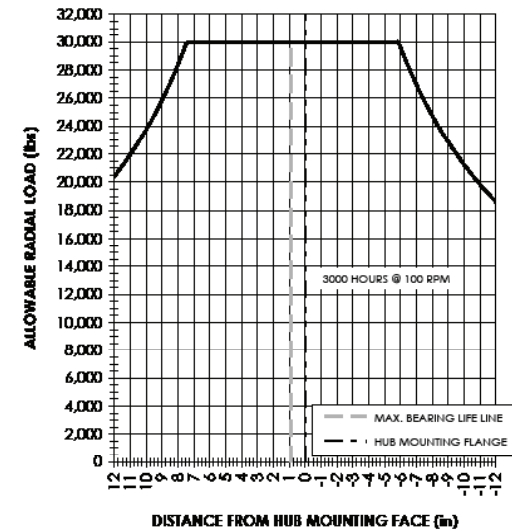
Life = 3,000 hours B10

Speed = 100 RPM output

To adjust for loads and speeds other than shown on curve:

$$\text{Adjusted Life (hrs)} = 3,000 \left(\frac{100 \text{ RPM}}{\text{Speed (Adjusted)}} \right) \left(\frac{\text{Load (Curve)}}{\text{Load (Adjusted)}} \right)^{\left(\frac{10}{3} \right)}$$

Bearing Curve



S 40 B 1 0 5 5 4 0

S - Torque-Hub Shaft Output

40 - Series

	Spindle		Hub	
	Flange Mounting Diameter	B.C.	Mounting Diameter	B.C.
B1	12.750/12.740	(12) 1.125 - 12 15.000 B.C.	20.94/20.93	(30) .660/.650 Holes 22.385 B.C.

Reduction
25 - 24.95

40 - 39.71

Input
5 - 13T, 8/16 spline

Motor Mount
5 - SAE "D" (6.005/6.001) Pilot (4 bolt)

Input Spindle Side
0 - Not Included

oerlikon
fairfield

Fairfield Manufacturing Company, Inc.
First in Custom Gears and Drive Systems

www.fairfieldmfg.com