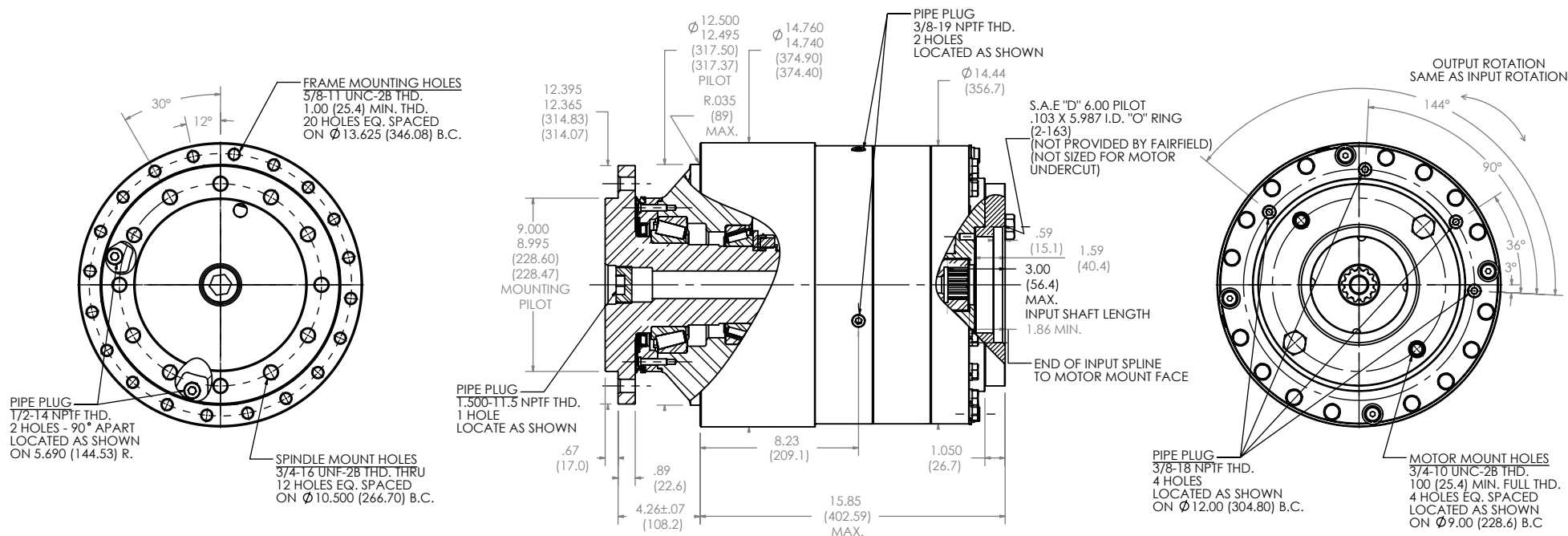


TORQUE-HUB®
Planetary Final Drives



oerlikon
fairfield

Catalog prints are representative of the units.
Before final design request a certified print from Fairfield.

NOTE: MM SHOWN IN ()
MOTOR CAVITY DIMENSIONS VARY WITH MODEL

OTHER MODELS ALSO AVAILABLE
FAIRFIELD BRAKE AVAILABLE

S16B2

Performance Data

Continuous	Intermittent	Peak
160,000 in-lbs	320,000 in-lbs	
13,333 ft-lbs	26,667 ft-lbs	Contact Fairfield
18,079 N-m	36,158 N-m	
1,843 kg-m	3,686 kg-m	

For ultimate torque and horsepower capacities, contact a Torque-Hub® representative.

Speed Limitations

Input Speed: 4,000 RPM Maximum Intermittent

Contact Fairfield for speed limitations and horsepower.

Weight

Approximately 575lbs (261kg)

Note: Specific models will change weights.

S16B2 Model Formula

Oil

Fill to half full with 90 weight gear lube with EP additive on most applications.

Approximate Volume: 123oz (3637.11cc)

Note: Oil level and type will vary with specific model and application.

Conditions of Bearing Curve

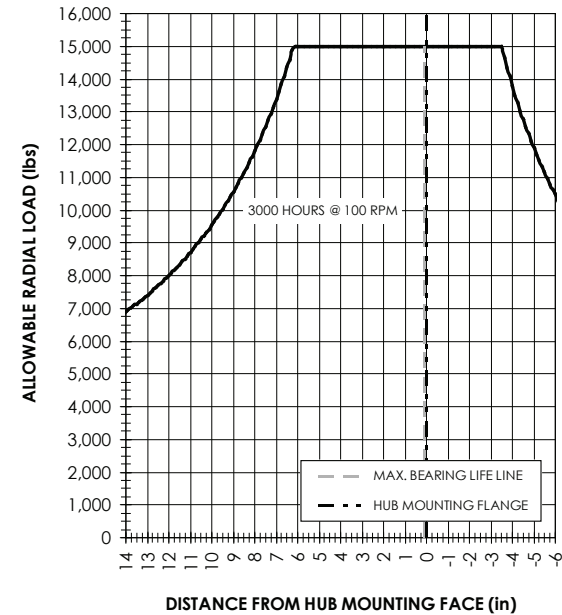
Life = 3,000 hours B10

Speed = 100 RPM output

To adjust for loads and speeds other than shown on curve:

$$\text{Adjusted Life (hrs)} = 3,000 \left(\frac{100 \text{ RPM}}{\text{Speed (Adjusted)}} \right) \left(\frac{\text{Load (Curve)}}{\text{Load (Adjusted)}} \right)^{\frac{10}{3}}$$

Bearing Curve



S 16 B2 0 0 Z 4 4 40

S - Torque-Hub Shaft Output

16 - Series

	Spindle		Hub	
	Flange Mounting Diameter	B.C.	"Mounting Diameter"	B.C.
B2	9.000/8..995	(12) 3/4-16 10.500 B.C.	12.500/12.495	(20) 5/8-11 13.625 B.C.

Motor Mount

4 - SAE "C" (5.005/5.001) Pilot (2 & 4 bolt)
5 - SAE "D" (6.005/6.001) Pilot (4 bolt)

Special Features

0 - Not Included
Z - V-ring Seal

Input

4 - 14T, 12/24 spline
5 - 13T, 8/16 spline

Reduction

20 -20.25
29 - 29.16
40 - 39.37

Studs

0 - Not Included

Special Features

0 - Not Included

oerlikon
fairfield

Fairfield Manufacturing Company, Inc.

First in Custom Gears and Drive Systems

www.fairfieldmfg.com