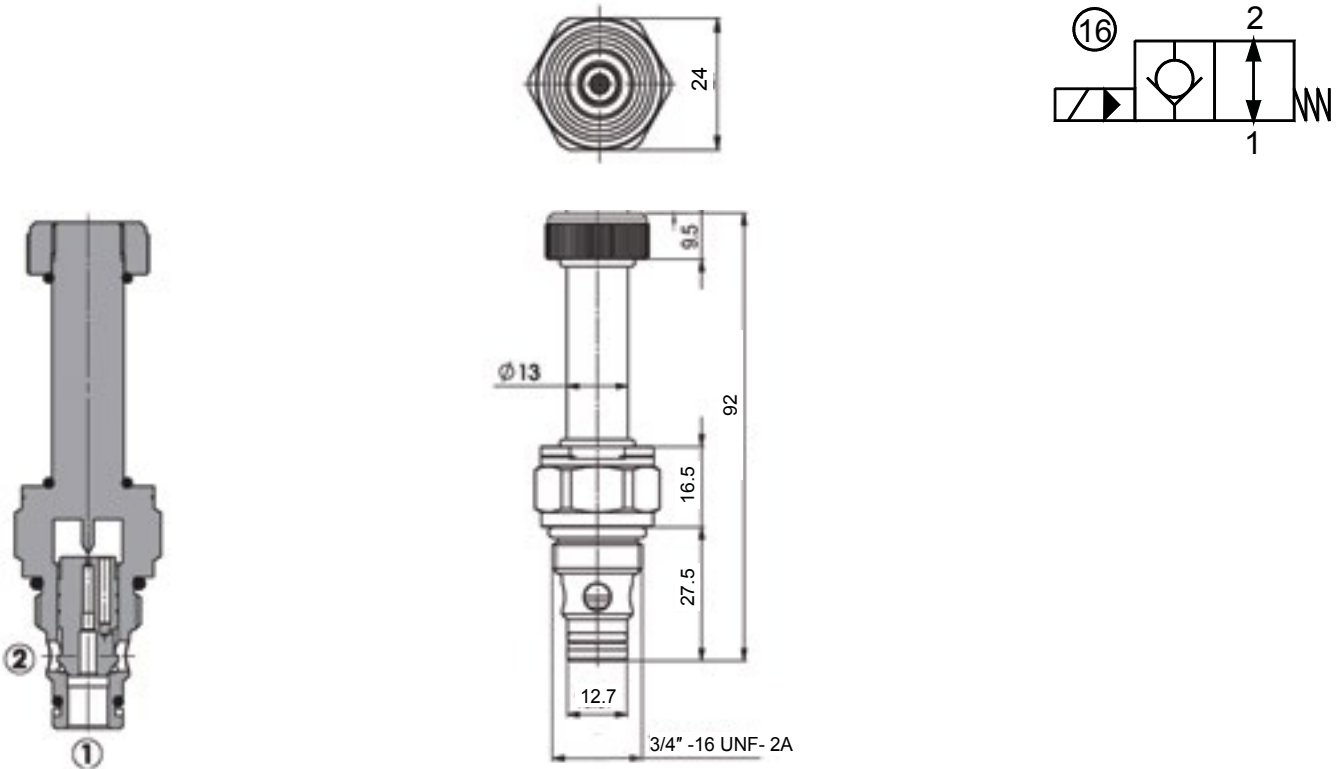




SOLENOID VALVES

2 Way, Normally Open Poppet Valve
FP-22-CP-S08-16

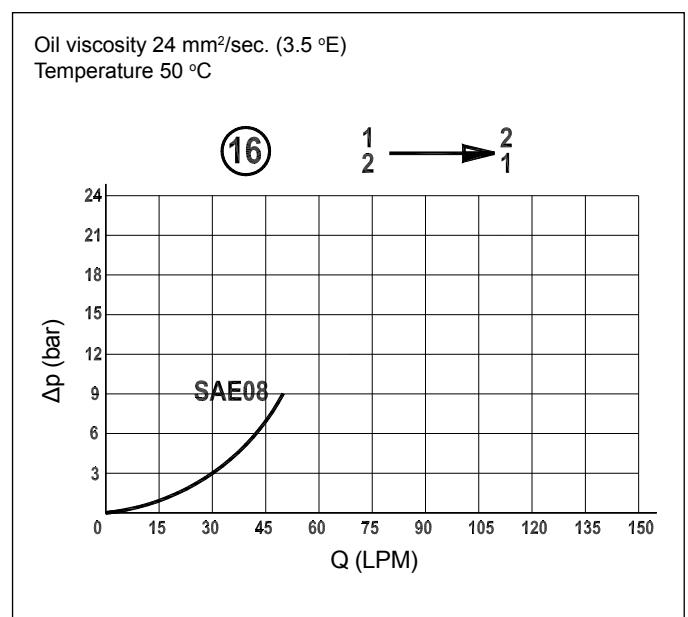


Technical Specifications

| | |
|----------------------------------|---|
| Materials | Cartridge = steel, zinc plated Internal parts = hardened steel |
| Flow Range | 0.5-50 LPM |
| Max. Pressure | 350 bar (Coil 20 W), 250 bar (Coil 18 W) |
| Installation Torque | 35-45 Nm |
| Cavity | 23081, refer to cavity information on page 65 |
| Cartridge Weight | 0.135 kg |
| Coils | Version C-13, refer to coil information on page 64 |
| Oil Temperature Range | -20°C + 80°C |
| Recommended Filtration | Nominal max. 10µ, ISO 4406-19/17/14 (NAS8) or less |
| Ambient Temperature Range | -30°C + 60°C |

Inlet voltage fluctuations must not exceed ±10% of nominal voltage.

Pressure Drop Curves



Content is subject to change without notice. Please refer to our website for the most current product information.