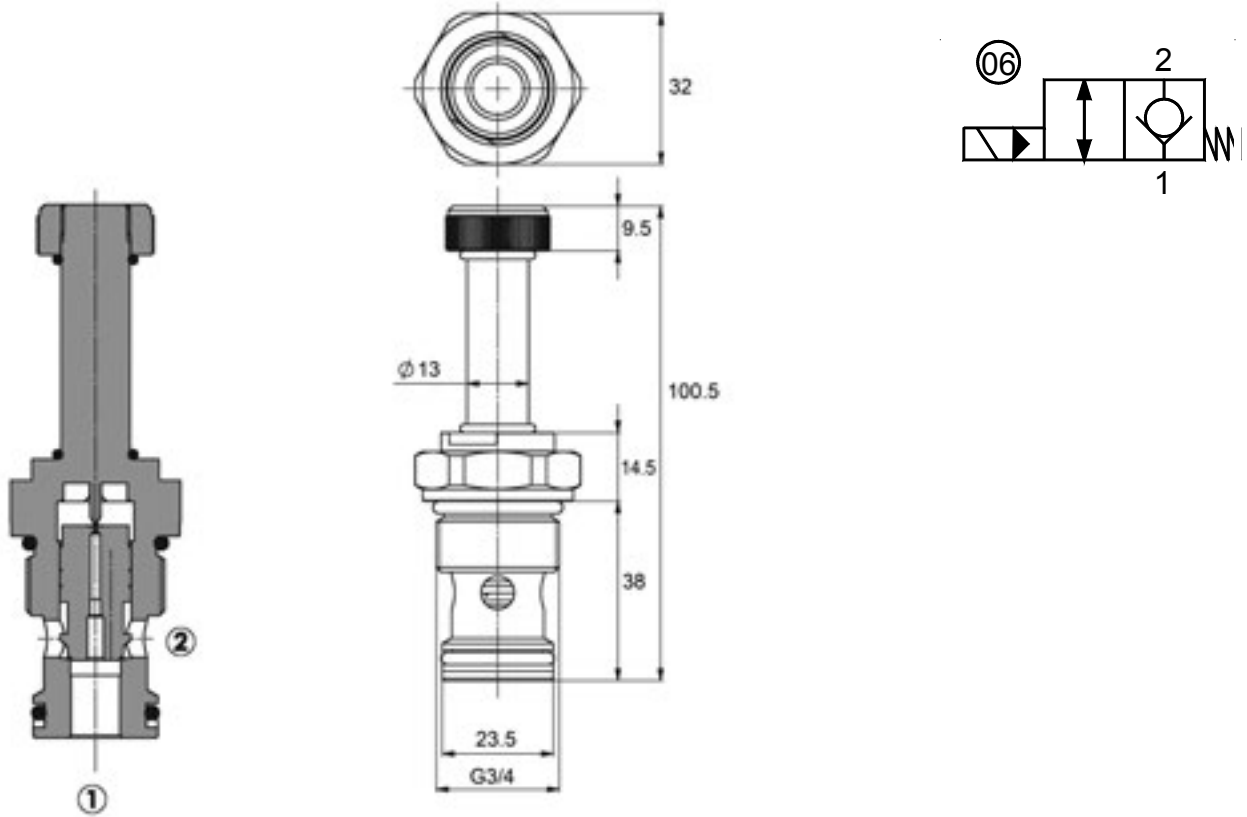




SOLENOID VALVES

2 Way, Normally Closed Poppet Valve
FP-22-CP-G3/4-06

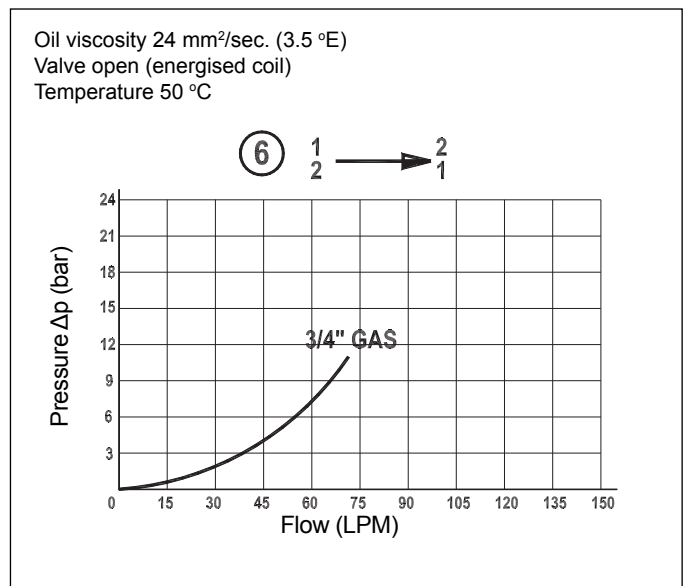


Technical Specifications

Materials	Cartr parts = hardened steel
Flow Range	2-70 LPM
Max. Pressure	350 bar (Coil 20 W) 250 bar (Coil 18 W)
Installation Torque	45-55 Nm
Cavity	21261, refer to cavity information on page 65
Cartridge Weight	0.230 kg
Coils	Version C-13, refer to coil information on page 64
Oil Temperature Range	-20°C + 80°C
Recommended Filtration	Nominal max. 10µ, ISO 4406-19/17/14 (NAS8) or less
Ambient Temperature Range	-30°C + 60°C

Inlet voltage fluctuations must not exceed ±10% of nominal voltage.

Pressure Drop Curves



Content is subject to change without notice. Please refer to our website for the most current product information.