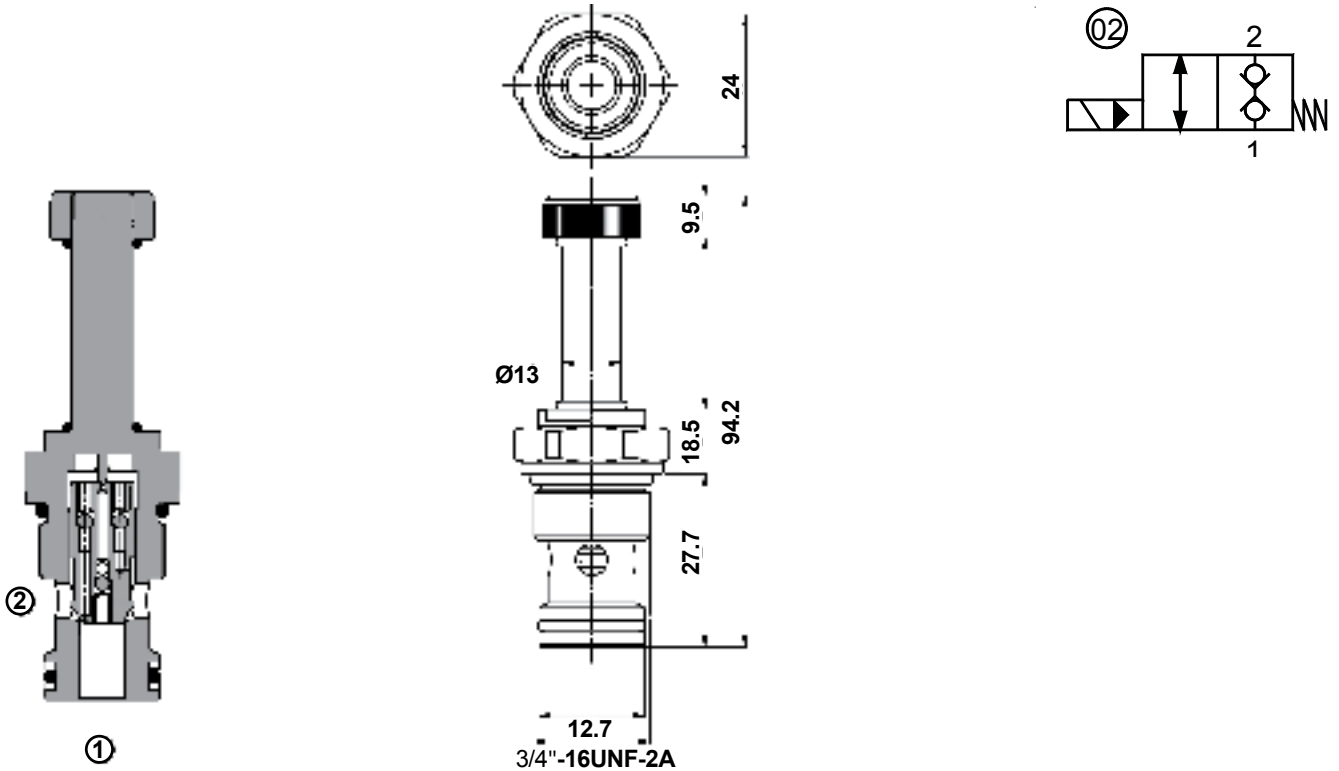




SOLENOID VALVES

2 Way, Double Lock, Normally Closed Poppet Valve
FP-22-PD-S08-02

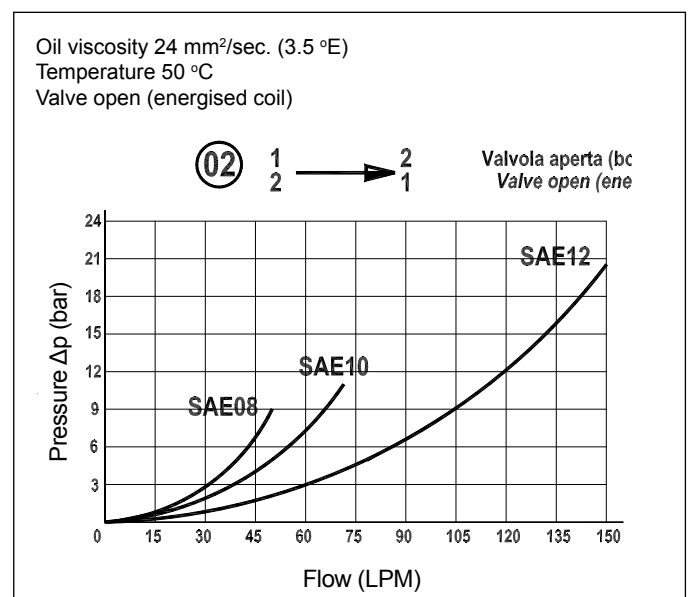


Technical Specifications

Materials	Cartridge = steel, zinc plated Internal parts = hardened steel
Flow Range	1-50 LPM
Max. Pressure	350 bar (Coil 20 W) 250 bar (Coil 18 W)
Installation Torque	35-45 Nm
Cavity	23081, refer to cavity information on page 65
Cartridge Weight	0.140 kg
Coils	Version C-13, refer to coil information on page 64
Oil Temperature Range	-20°C + 80°C
Recommended Filtration	Nominal max. 10µ, ISO 4406-19/17/14 (NAS8) or less.
Ambient Temperature Range	-30°C + 60°C

Inlet voltage fluctuations must not exceed ±10% of nominal voltage.

Pressure Drop Curves



Content is subject to change without notice. Please refer to our website for the most current product information.