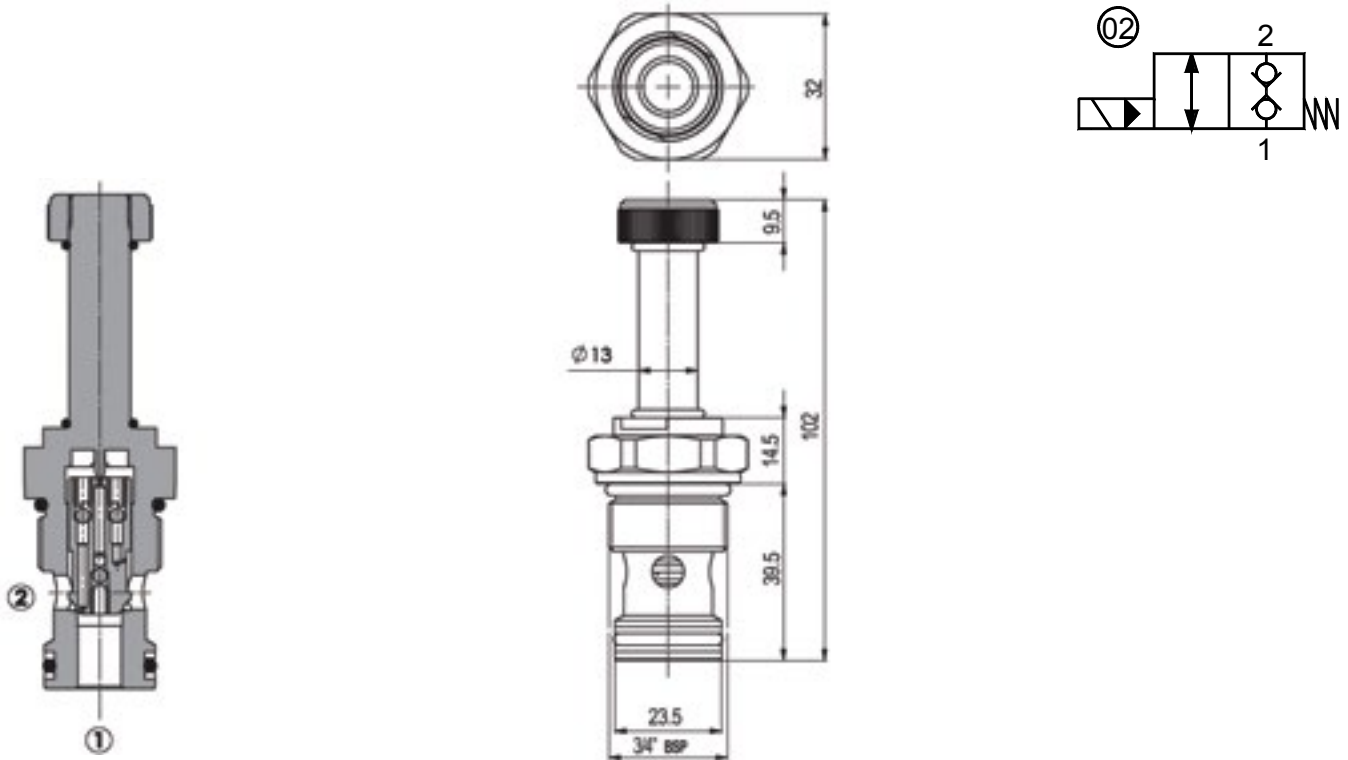




# SOLENOID VALVES

2 Way, Double Lock, Normally Closed Poppet Valve  
FP-22-PD-G3/4-02

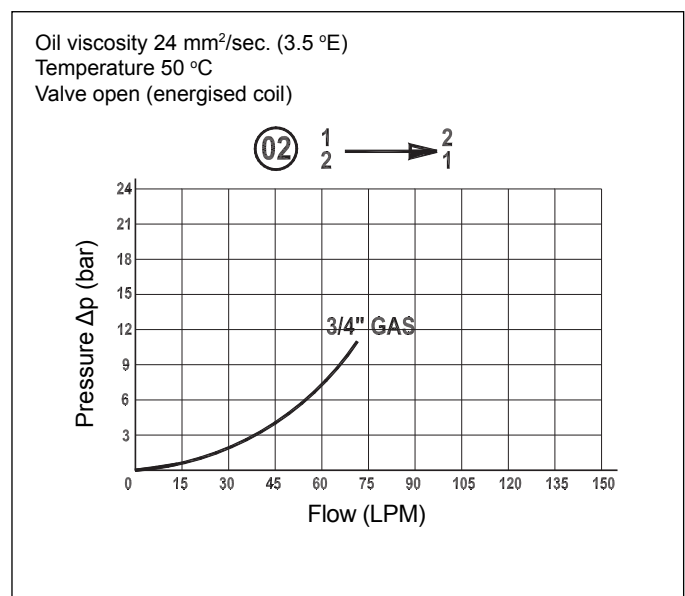


## Technical Specifications

<b>Materials</b>	Cartridge = steel zinc plated Internal parts = hardened steel
<b>Flow Range</b>	2-70 LPM
<b>Max. Pressure</b>	350 bar (Coil 20 W) 250 bar (Coil 18 W)
<b>Installation Torque</b>	45-55 Nm
<b>Cavity</b>	21261, refer to cavity information on page 65
<b>Cartridge Weight</b>	0.230 kg
<b>Coils</b>	Version C-13, refer to coil information on page 64
<b>Oil Temperature Range</b>	-20°C + 80°C
<b>Recommended Filtration</b>	Nominal max. 10µ, ISO 4406-19/17/14 (NAS8) or less
<b>Ambient Temperature Range</b>	-30°C + 60°C

Inlet voltage fluctuations must not exceed ±10% of nominal voltage.

## Pressure Drop Curves



Content is subject to change without notice. Please refer to our website for the most current product information.