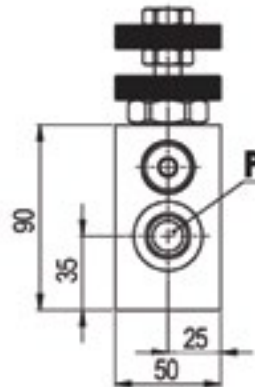
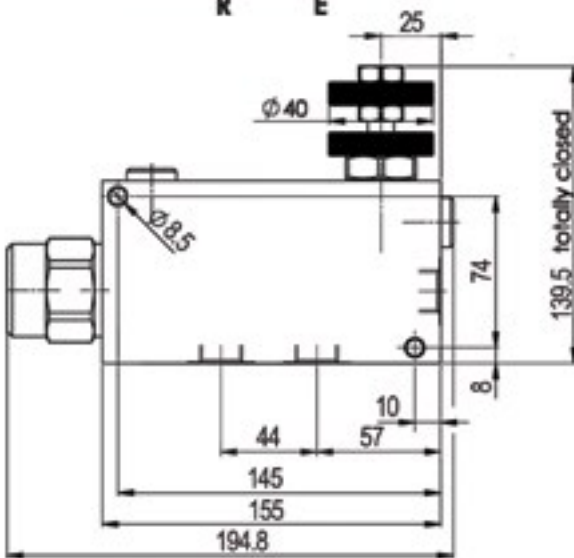
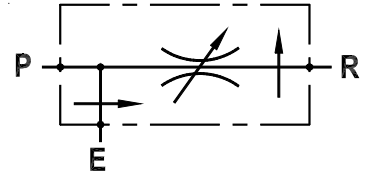
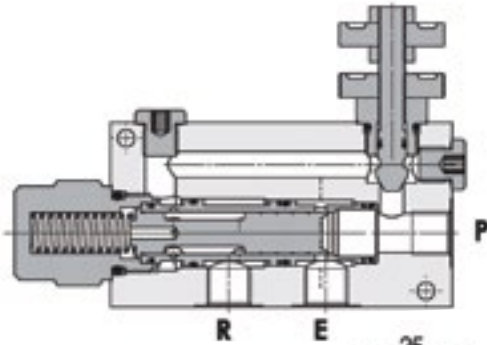




# FLOW CONTROL VALVES

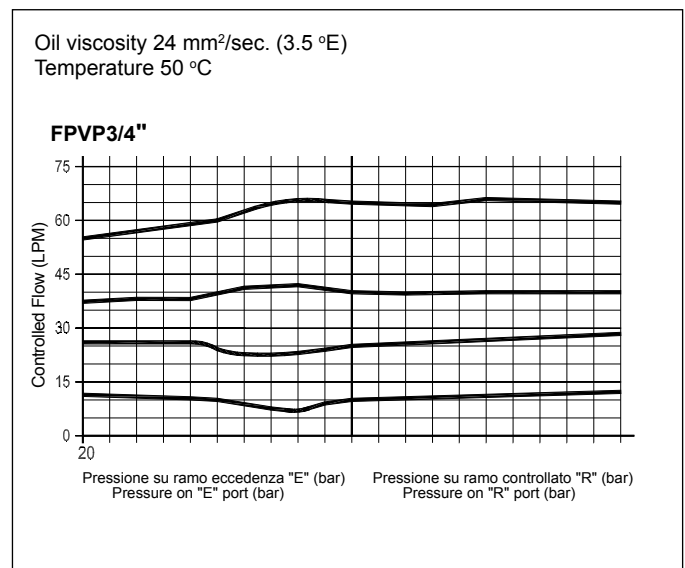
Line Mounted, 3 Way Pressure Compensated Flow Regulator  
FPVP-3/4-G



## Technical Specifications

<b>Materials</b>	Body = aluminium Internal parts = hardened steel
<b>Rated Flow</b>	150 LPM with 90 LPM in "R" port
<b>Max. Pressure</b>	210 bar
<b>Standby Pressure</b>	Approx. 5 bar
<b>Weight</b>	2.205 kg
<b>Port Sizes</b>	P/E/R = G3/4
<b>Adjustment Type</b>	Hand knob
<b>Oil Temperature Range</b>	-20°C + 80°C
<b>Recommended Filtration</b>	Nominal max. 10µ, ISO 4406-19/17/14 (NAS8) or less
<b>Ambient Temperature Range</b>	-30°C + 60°C

## Compensation Curves



Content is subject to change without notice. Please refer to our website for the most current product information.