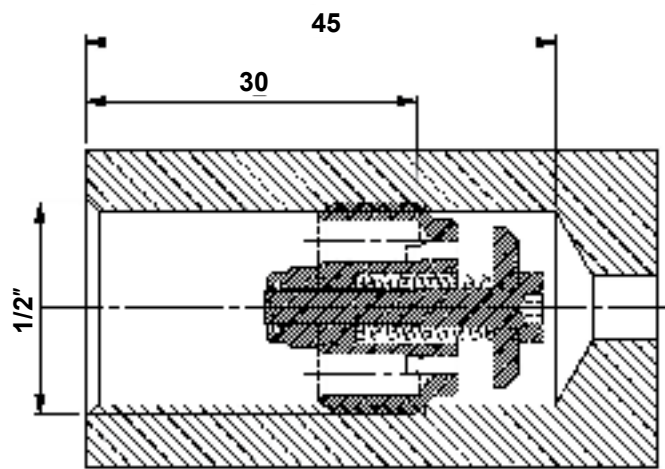
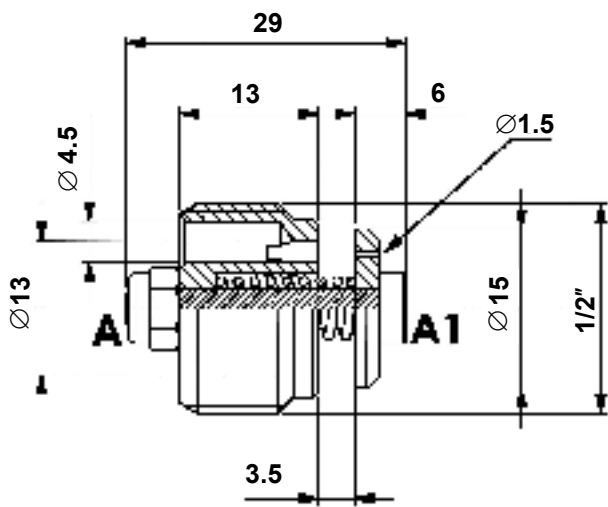
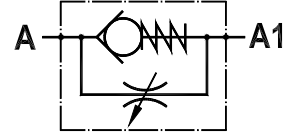
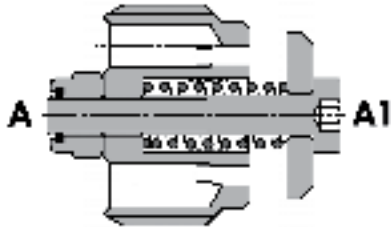




FLOW CONTROL VALVES

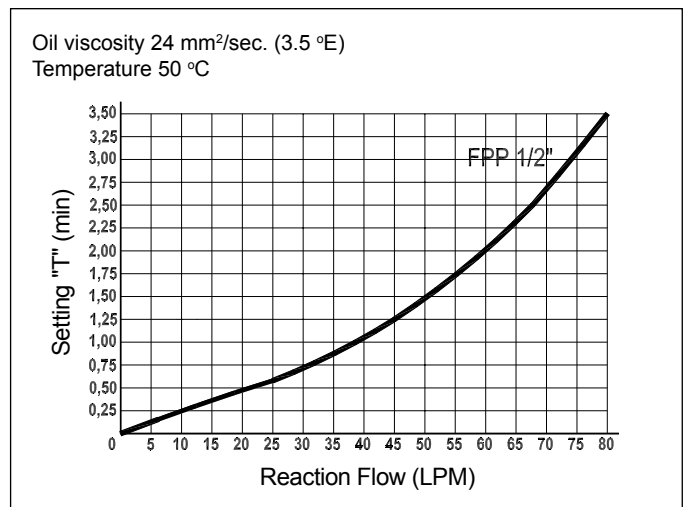
Hose Burst Insert
FPP-1/2



Technical Specifications

Materials	Steel
Flow Range	25-80 LPM
Max Flow	25-80 LPM
Cracking Pressure	0.5 bar standard
Max Pressure	350 bar
Weight	0.023 kg
Housing	Refer to housing information on page 66
Oil Temperature Range	-20°C + 80°C
Recommended Filtration	Nominal max. 10µ, ISO 4406-19/17/14 (NAS8) or less
Ambient Temperature Range	-30°C + 60°C

Compensation Curves



Content is subject to change without notice. Please refer to our website for the most current product information.