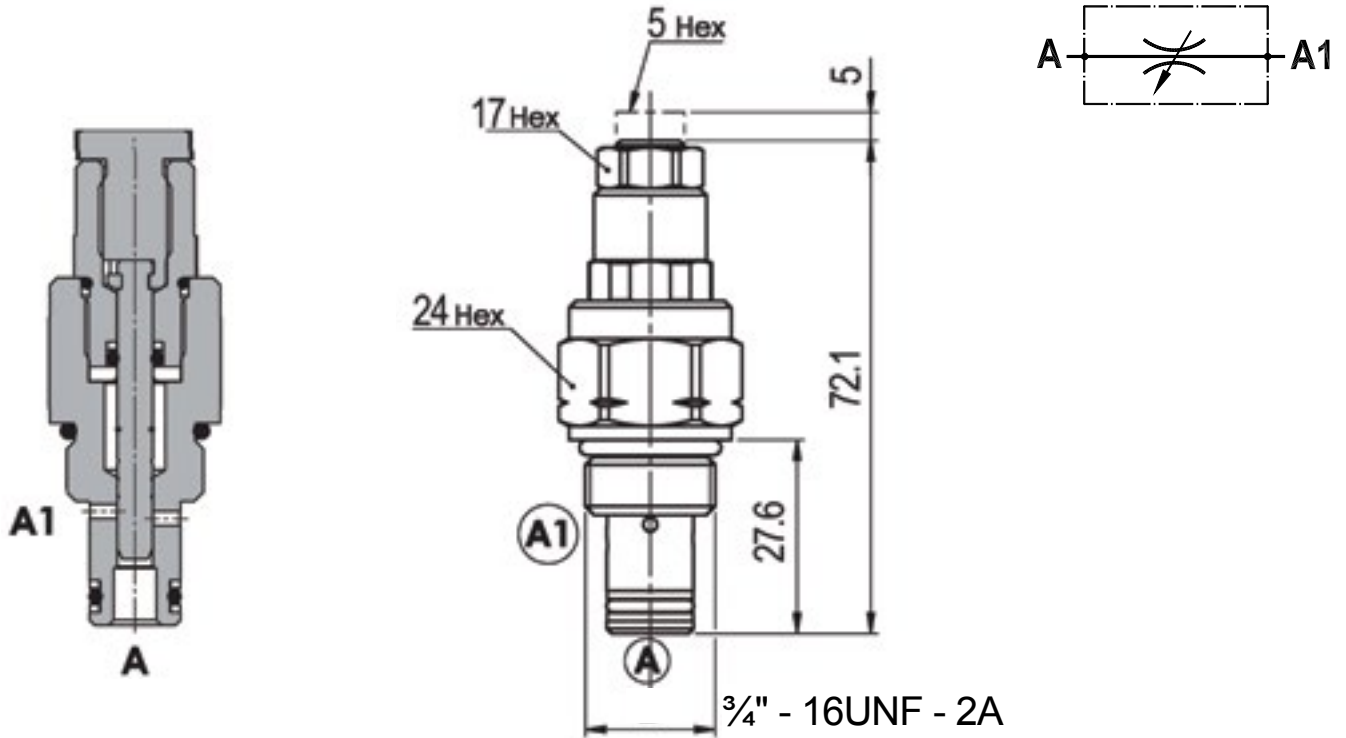




# FLOW CONTROL VALVES

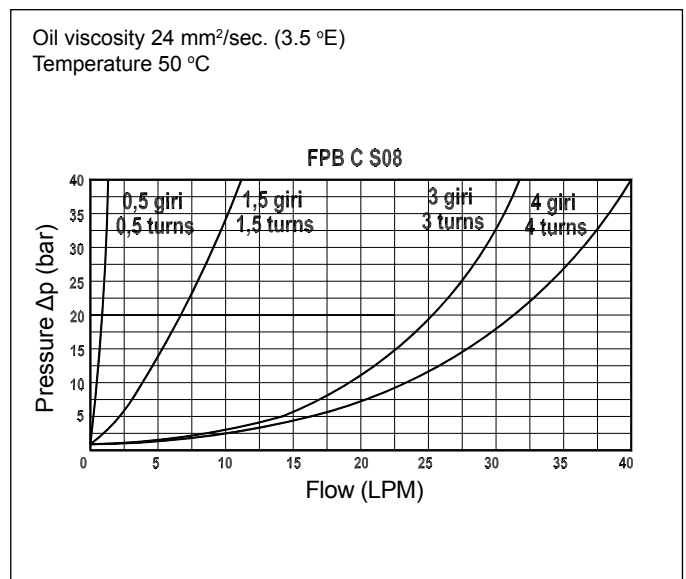
Needle Valve, Cartridge Version  
FPBC-S08-P



## Technical Specifications

<b>Materials</b>	Cartridge = steel zinc plated Internal parts = hardened steel
<b>Flow Range</b>	40 LPM max
<b>Max. Pressure</b>	350 bar
<b>Installation Torque</b>	40-45 Nm
<b>Cavity</b>	23081, refer to cavity information on page 65
<b>Adjustment Tyre</b>	Leakproof screw
<b>Cartridge Weight</b>	0.136 kg
<b>Oil Temperature Range</b>	-20°C + 80°C
<b>Recommended Filtration</b>	Nominal max. 10µ, ISO 4406-19/17/14 (NAS8) or less.
<b>Ambient Temperature Range</b>	-30°C + 60°C

## Pressure Drop Curves



Content is subject to change without notice. Please refer to our website for the most current product information.