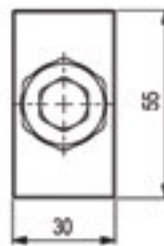
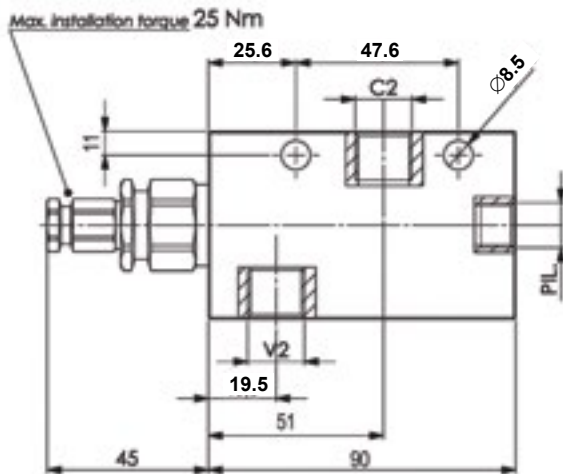
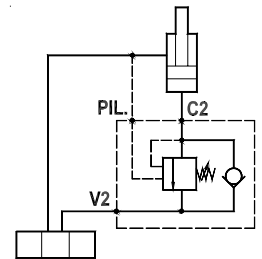
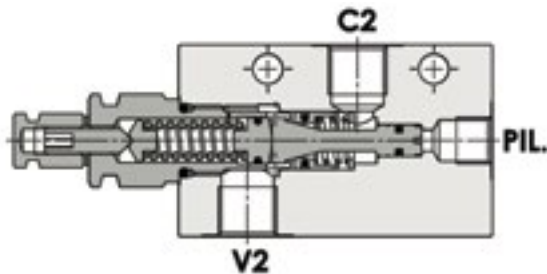




FLUID-PRESS

# OVER CENTRE VALVES

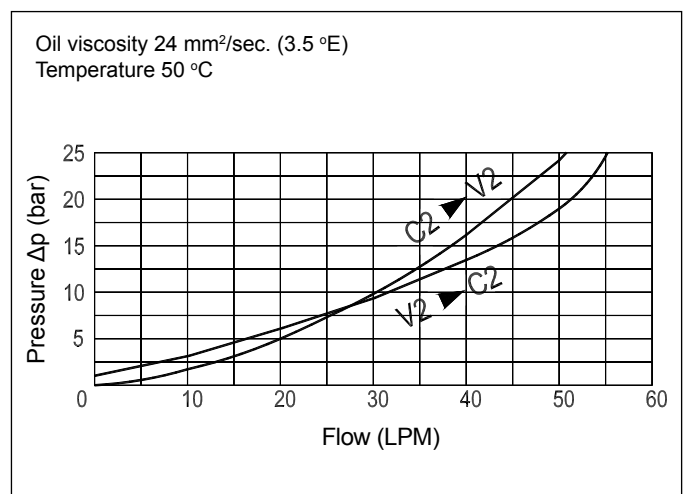
Line Mounted Single Over Centre Valve  
FPO-50-S-3/8-L-35



## Technical Specifications

<b>Materials</b>	Body = steel, zinc plated Internal parts = hardened steel
<b>Rated Flow</b>	up to 50 LPM
<b>Adjustment Range</b>	80-350 bar
<b>Standard Setting</b>	280
<b>Pressure Inc. Per Turn</b>	120
<b>Max. Pressure</b>	350 bar
<b>Weight</b>	1.020 kg
<b>Pilot Ratio</b>	4.25:1
<b>Port Sizes</b>	G 3/8
<b>Adjustment Type</b>	Leakproof screw
<b>Oil Temperature Range</b>	-20°C + 80°C
<b>Recommended Filtration</b>	Nominal max. 10µ, ISO 4406-19/17/14 (NAS8) or less
<b>Ambient Temperature Range</b>	-30°C + 60°C

## Pressure Drop Curves



Content is subject to change without notice. Please refer to our website for the most current product information.