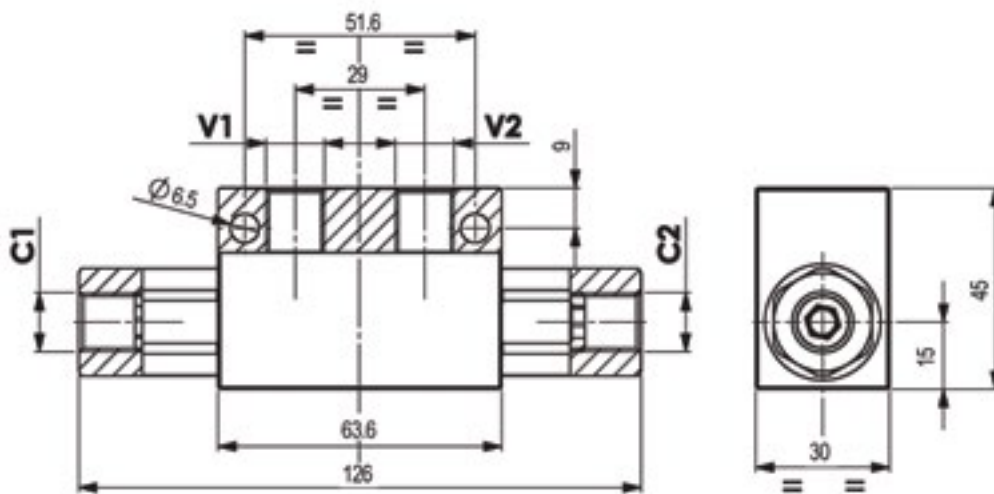
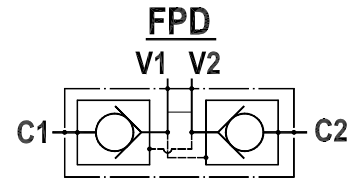
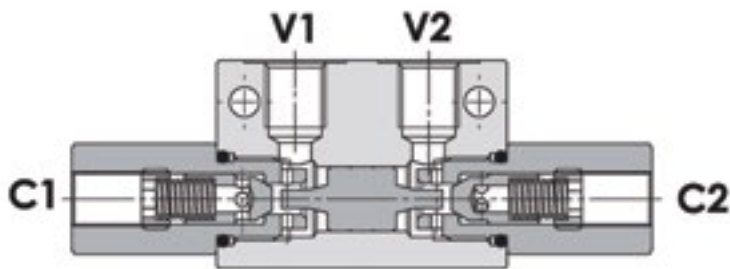




CHECK VALVES

Line Mounted, Double Pilot Operated Check Valve
FPD-1/4-5



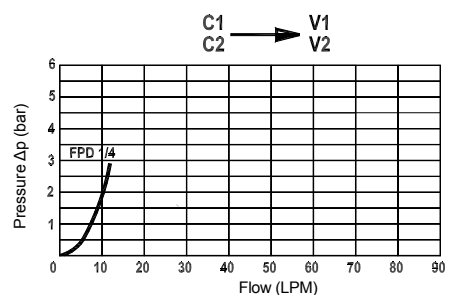
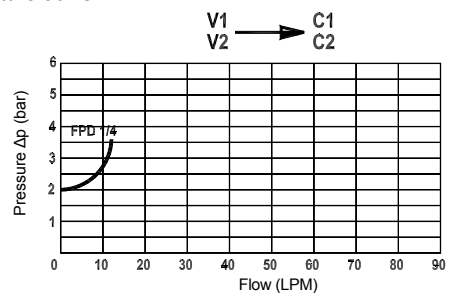
Technical Specifications

Materials	Body = steel, zinc plated Internal parts = hardened and ground steel
Rated Flow	12 LPM
Cracking Pressure	5 bar
Max. Pressure	350 bar
Weight	0.650 kg
Pilot Ratio	4:1
Port Sizes	C1/C2/V1/V2 = G1/4
Oil Temperature Range	-20°C + 80°C
Recommended Filtration	Nominal max. 10µ, ISO 4406-19/17/14 (NAS8) or less
Ambient Temperature Range	-30°C + 60°C

Note: In order to obtain zero leakage we recommend that directional control valve ports be connected to the tank in order to avoid back-pressure that would make it impossible for the poppet to provide a perfect seal.

Pressure Drop Curves

Oil viscosity 24 mm²/sec. (3.5 °E)
Temperature 50 °C



Content is subject to change without notice. Please refer to our website for the most current product information.