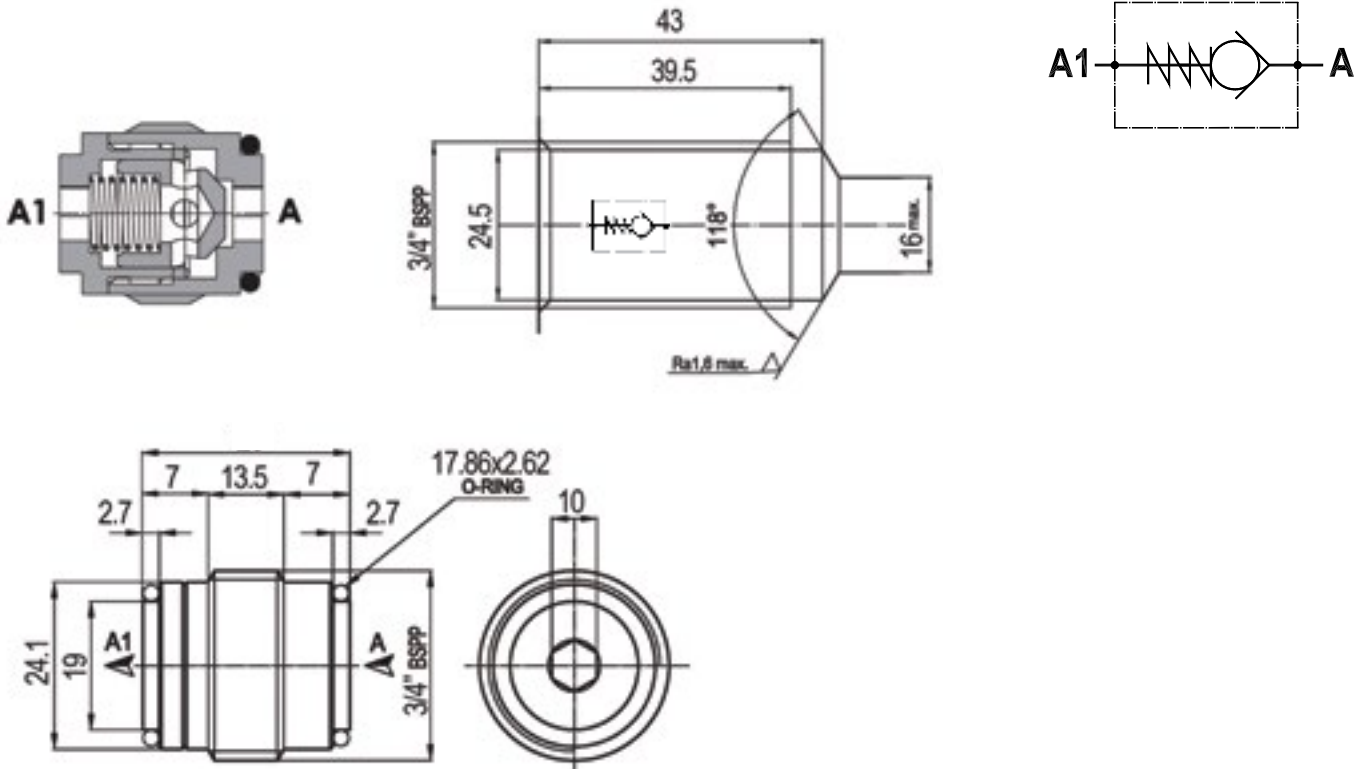




CHECK VALVES

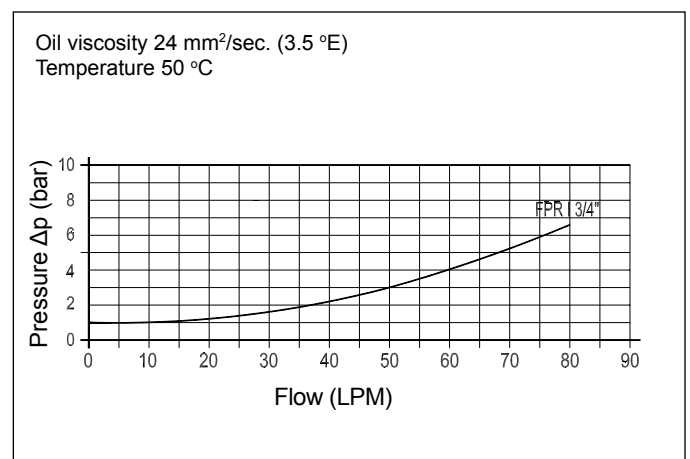
Single Acting Check Valve, Insert Type
FPR1-3/4



Technical Specifications

Materials	Guided poppet = hardened steel
Rated Flow	80 LPM
Cracking Pressure	1 bar
Max. Pressure	300 bar
Weight	0.070 kg
Installation Torque	30Nm
Oil Temperature Range	-20°C + 80°C
Recommended Filtration	Nominal max. 10µ, ISO 4406-19/17/14 (NAS8) or less
Ambient Temperature Range	-30°C + 60°C

Pressure Drop Curves



Content is subject to change without notice. Please refer to our website for the most current product information.