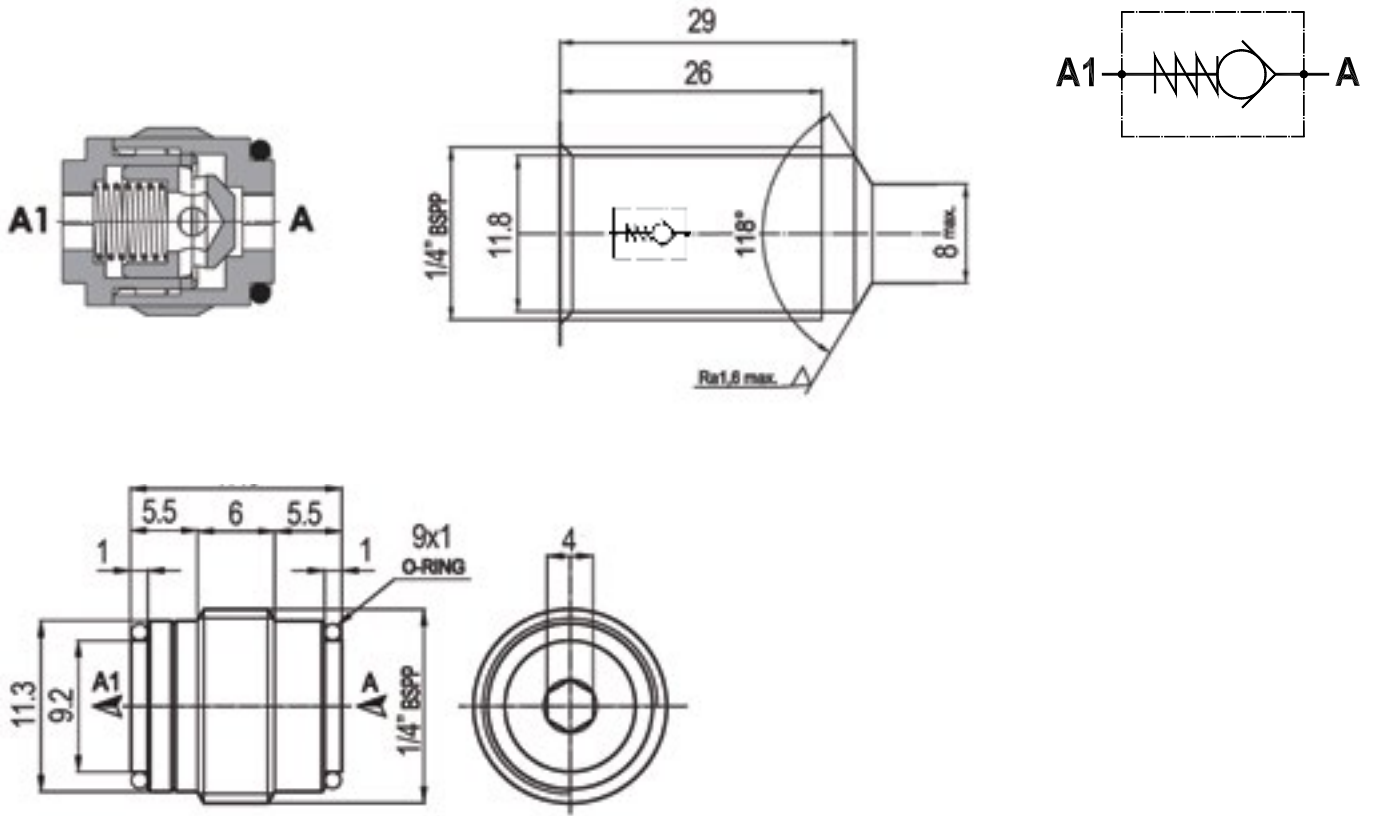




# CHECK VALVES

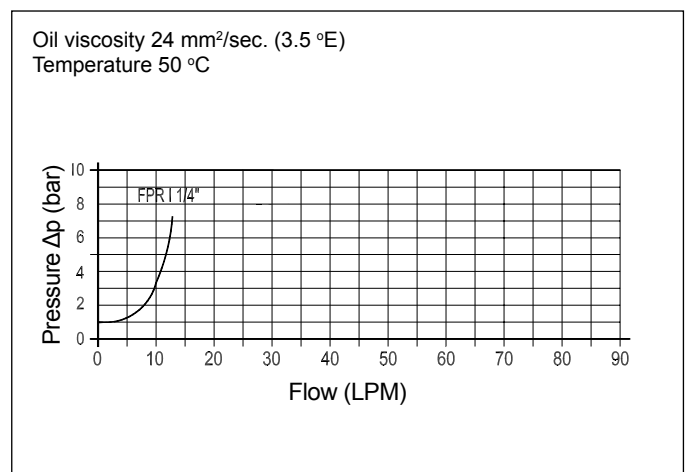
Check Valve, Insert Type  
FPRI-1/4



## Technical Specifications

<b>Materials</b>	Body = steel Guided poppet = hardened steel
<b>Rated Flow</b>	15 LPM
<b>Cracking Pressure</b>	1 bar
<b>Max. Pressure</b>	350 bar
<b>Weight</b>	0.015 kg
<b>Installation Torque</b>	6Nm
<b>Oil Temperature Range</b>	-20°C + 80°C
<b>Recommended Filtration</b>	Nominal max. 10µ, ISO 4406-19/17/14 (NAS8) or less
<b>Ambient Temperature Range</b>	-30°C + 60°C

## Pressure Drop Curves



Content is subject to change without notice. Please refer to our website for the most current product information.