



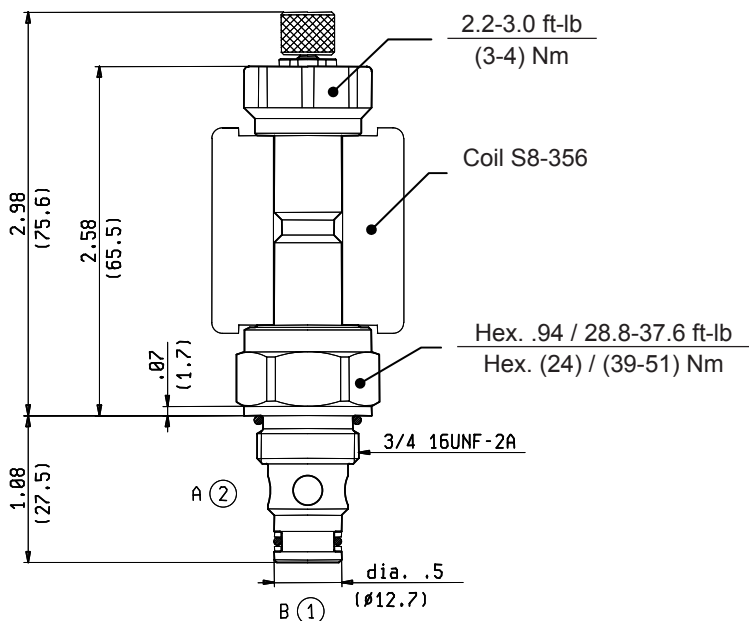
**SOLENOID OPERATED VALVES
POPPET 2-WAY DOUBLE LOCK NORMALLY CLOSED
COMMON CAVITY**

VEI-8A-2T-06-NC-S-NSS

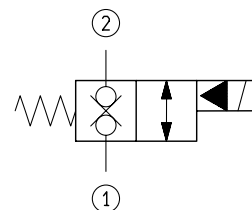
SIZE 08

OD.15.31.18 - Y - S0

PATENT PENDING



Inches
(mm)



TECHNICAL DATA

Maximum Operating Pressure 5000 psi (350 bar)

Fatigue Cycle Life at 5000 psi (350 bar) and 0.5 Hz 10 million cycles (1 s ON - 1 s OFF)

Rated Flow 11 gpm (40 l/min)

Cavity - Tooling (CA-08A-2N) page CT.A.001.U

Line bodies page MN2.A...

Weight 0.286 lbs (0.130 kg)

Fluids - Temperatures page 7.01.040

Testing Conditions - Seals page 7.01.040

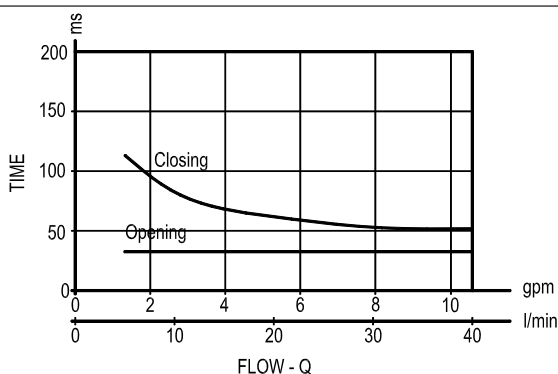
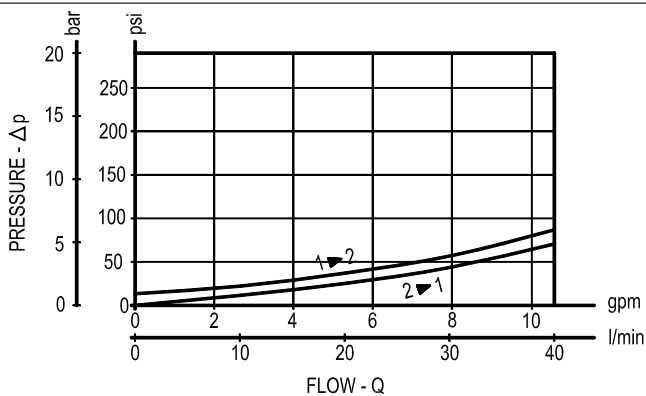
Internal Leakage page 7.01.040

Filtration : 25 μ m nominal or better page 7.01.050

Minimum Voltage Required 90% of nominal

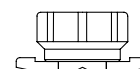
Coils must be ordered separately page 1.71.042

Mounting Position unrestricted



Y ORDERING OPTIONS

3A Standard



3B Knob Style Manual Override

