

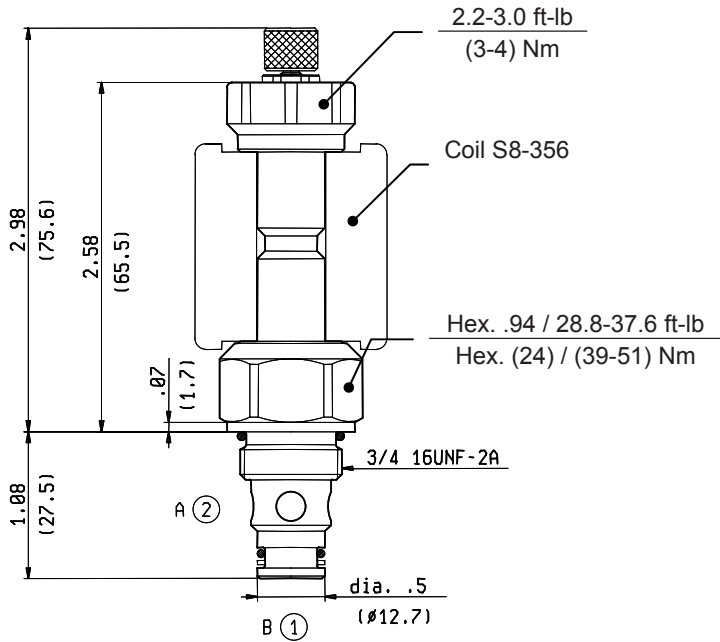
**SOLENOID OPERATED VALVES
 POPPET 2-WAY NORMALLY CLOSED
 COMMON CAVITY**

VEI-8A-2A-06-NC-S-NSS

SIZE 08

OD.15.05.18 - Y - S0

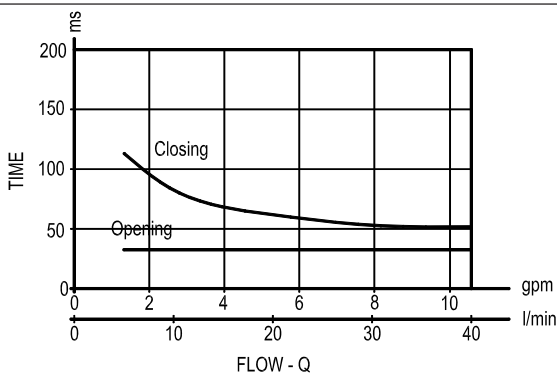
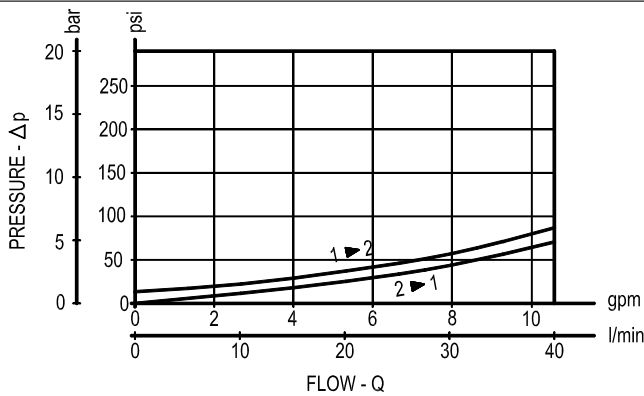
PATENT PENDING



Inches
(mm)

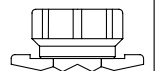
TECHNICAL DATA

Maximum Operating Pressure	5000 psi (350 bar)
Fatigue Cycle Life at 5000 psi (350 bar) and 0.5 Hz (1 s ON - 1 s OFF)	10 million cycles
Rated Flow	11 gpm (40 l/min)
Cavity - Tooling (CA-08A-2N)	page CT.A.001.U
Line bodies	page MN2.A...
Weight	0.286 lbs (0.130 kg)
Fluids - Temperatures	page 7.01.040
Testing Conditions - Seals	page 7.01.040
Internal Leakage	page 7.01.040
Filtration : 25 µm nominal or better	page 7.01.050
Minimum Voltage Required	90% of nominal
Coils must be ordered separately	page 1.71.042
Mounting Position	unrestricted



Y ORDERING OPTIONS

3A Standard



3B Knob Style Manual Override

