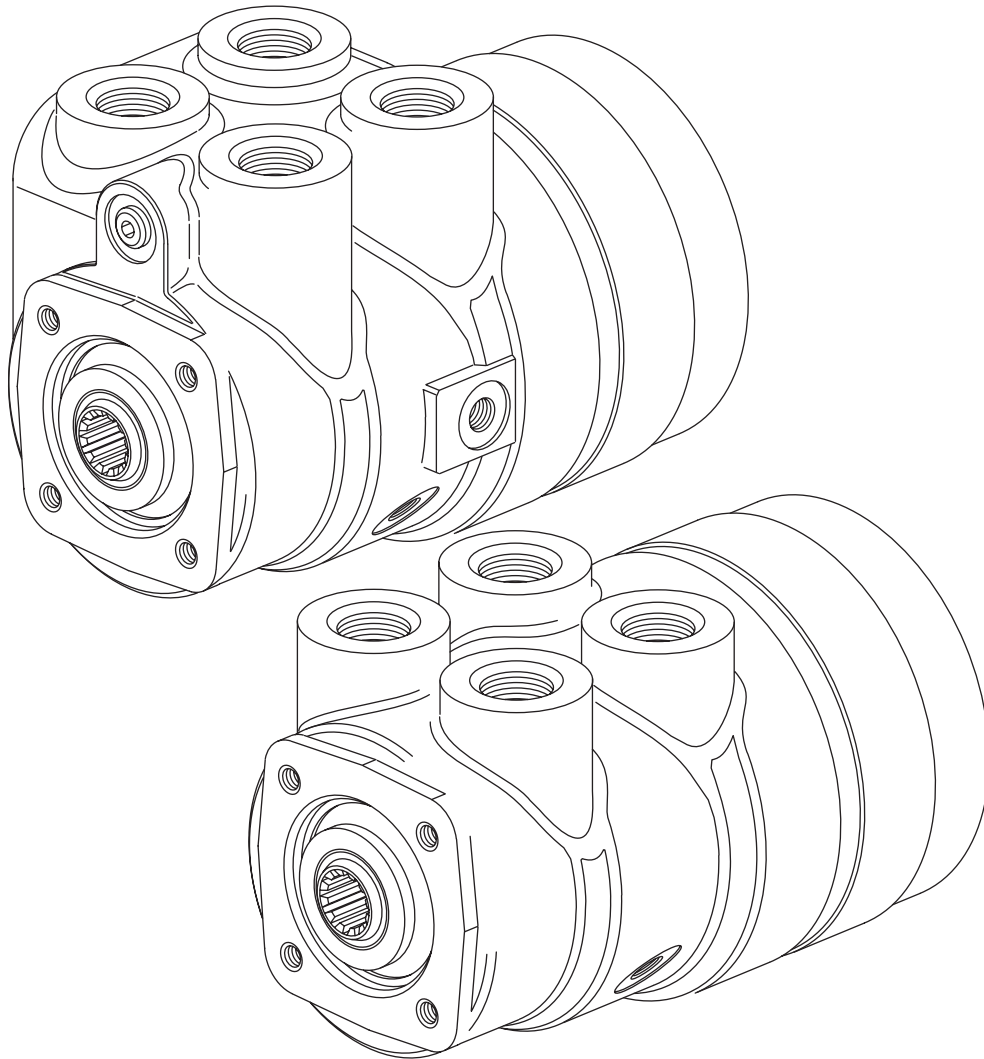




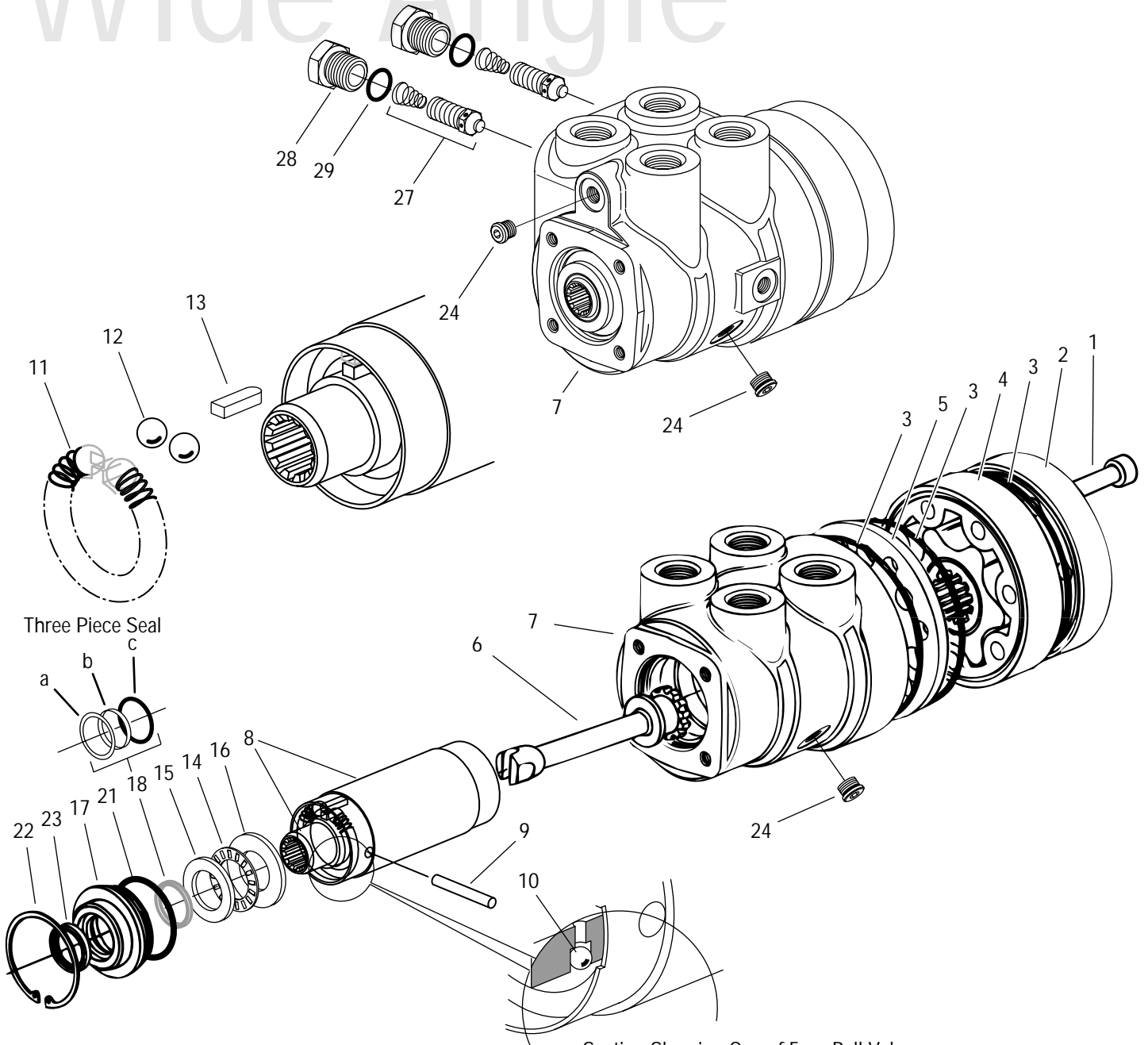
Parts Information



**25 Series — Wide Angle
Steering Control Units**

002

Wide Angle



Section Showing One of Four Ball Valves

Actual Displacement cm ³ /r [in ³ /r]	Ref. No. 4 Gerotor		Ref. No.1 Socket Head Cap Screw	
	Part No.	Width mm [in.]	Part No.	Length mm [in.]
490 [30]	21519-001	23,1 [.91]	16148-824	63,5 [2.50]
625 [38]	21519-002	29,2 [1.15]	16148-826	69,8 [2.75]
795 [48]	21519-003	36,8 [1.45]	16148-830	76,2 [3.00]
985 [60]	21519-004	46,0 [1.81]	16148-834	88,9 [3.50]
1230 [75]	21519-005	57,6 [2.27]	16148-836	95,2 [3.75]
1560 [95]	21519-006	72,9 [2.87]	16148-844	114,3 [4.50]

Wide Angle

Ref. No.	Part Number	Description	Qty. Per Unit
1	*	Screw, Cap	7
2	21509-000	Cap, End	1
X 3	250001-048	Seal, O-ring 120,4 mm [4.74 in.] ID	3
4	*	Gerotor	1
5	21847-000	Plate, Wear	1
6	21514-000	Drive	1
7	NSS	Housing	1
8	NSS	Sleeve, Control	1
	NSS	Spool, Control	1
9	14451-000	Pin, Centering	1
10	285020-050	Ball	4
11	230366-000	Spring, Centering	1
12	18001-000	Ball	2
13	14529-000	Key, Rectangular	1
14	5544-000	Bearing, Needle Thrust	1
15	8329-000	Race, Bearing	1
16	14602-000	Race, Bearing	1
17	23542-000	Retainer, Front	1
X 18	a 14400-000	Backup Ring	1
X	b 9092-033	Seal — 25,2 mm [.99 in.] ID	1
X	c 250001-121	Seal, O-ring — 26,6 mm [1.05 in.] ID	1
X 21	250001-136	Seal, O-ring, 50,5 mm [1.99 in.] ID	1
22	14296-000	Ring, Retaining	1
X 23	844-000	Seal, Dust, 31,7 mm [1.25 in.] OD	1
24	9072-003	Plug/O-ring S/A (7/16-20 UNF Port)	1 or 2**
X	250003-904	Seal, O-ring 8,9 mm [.35 in.] ID	1
	9037-002	Plug/O-ring S/A (M12 Port)	1
X	16304-012	Seal, O-ring 9,4 mm [.37 in.] ID	1
27**	106121-300	Valve, Power Limiter (207 bar [3000 PSI])	2
	106121-325	Valve, Power Limiter (224 bar [3250 PSI])	2
	106121-350	Valve, Power Limiter (234 bar [3390 PSI])	2
		Valve, Power Limiter (240 bar [3480 PSI])	2
		Valve, Power Limiter (241 bar [3500 PSI])	2
	106121-375	Valve, Power Limiter (259 bar [3760 PSI])	2
	106121-400	Valve, Power Limiter (276 bar [4000 PSI])	2
	106121-425	Valve, Power Limiter (293 bar [4250 PSI])	2
28**	104875-000	Plug, Valve	2
X 29**	250003-910	Seal, O-ring, 19,2 mm [.76 in.] ID	2
	64546-000	Seal Kit — Contains Parts Indicated by X.	
	64462-000	Centering Spring Kit (Ref No. 11, 12, and 13)	

* — See Chart on Page 2 for Information on Specific Models

** — Steering Control Units with Cylinder Relief Valve

NSS — Not Sold Separately

Wide Angle

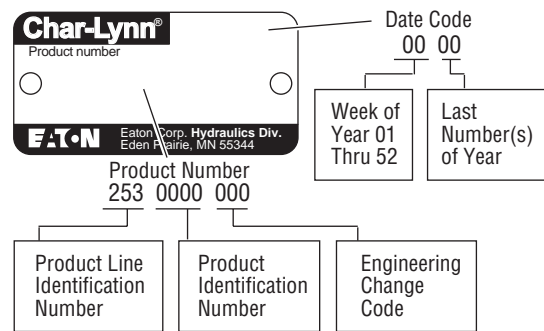
How to Order Replacement Parts

Each Order Must Include the Following:

1. Product Number
2. Date Code
3. Part Name
4. Part Number
5. Quantity of Parts

For More Detailed Information Contact Eaton Corp. Hydraulics Division 15151 Highway 5 Eden Prairie, MN 55344.

- Specifications and performance data, Catalog No. 11-872
- When servicing Steering Control Unit Refer to Repair Information No. 7-306. This repair manual lists tools required, and step by step disassembly and reassembly procedures.



Eaton
Fluid Power Group
Hydraulics Business USA
14615 Lone Oak Road
Eden Prairie, MN 55344
USA
Tel: 952-937-9800
Fax: 952-294-7722
www.eaton.com/hydraulics

Eaton
Fluid Power Group
Hydraulics Business Europe
Route de la Longeraie 7
1110 Morges
Switzerland
Tel: +41 (0) 21 811 4600
Fax: +41 (0) 21 811 4601

Eaton
Fluid Power Group
Hydraulics Business Asia Pacific
11th Floor Hong Kong New World Tower
300 Huaihai Zhong Road
Shanghai 200021
China
Tel: 86-21-6387-9988
Fax: 86-21-6335-3912