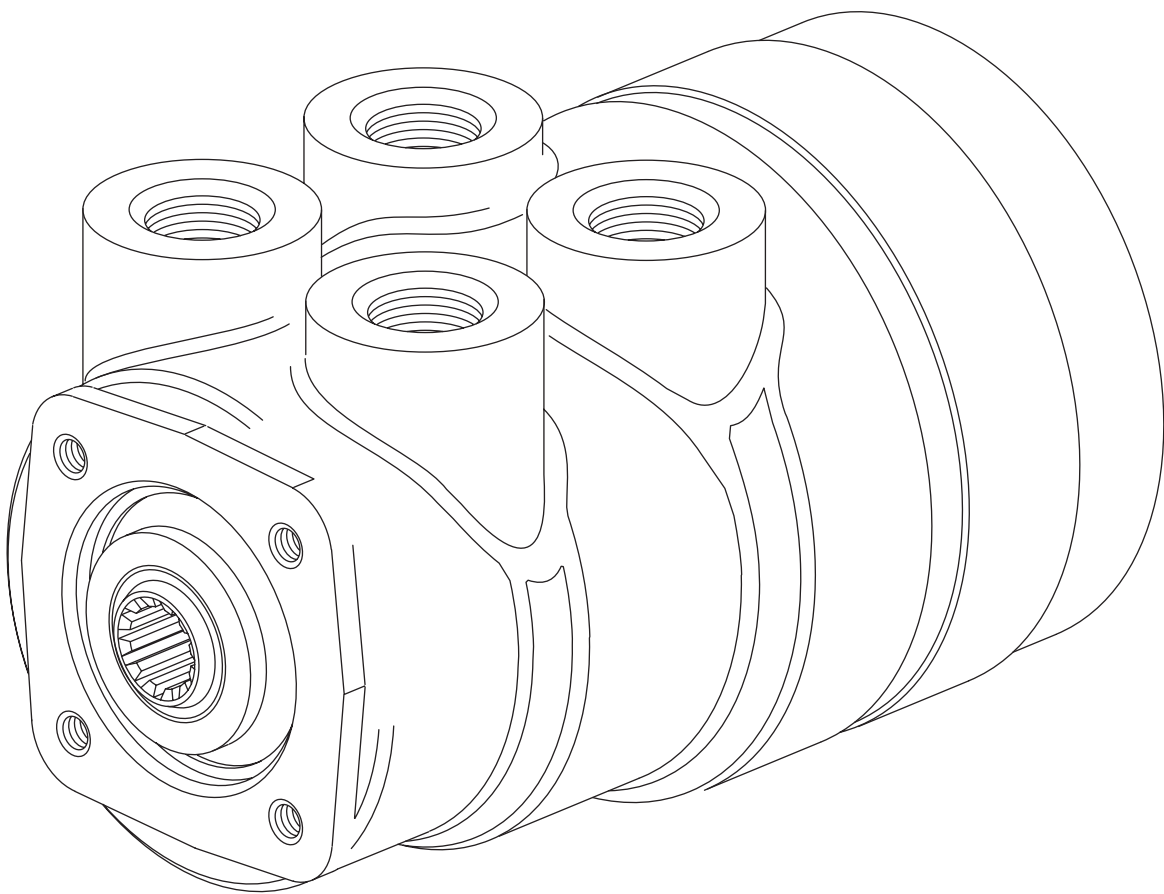


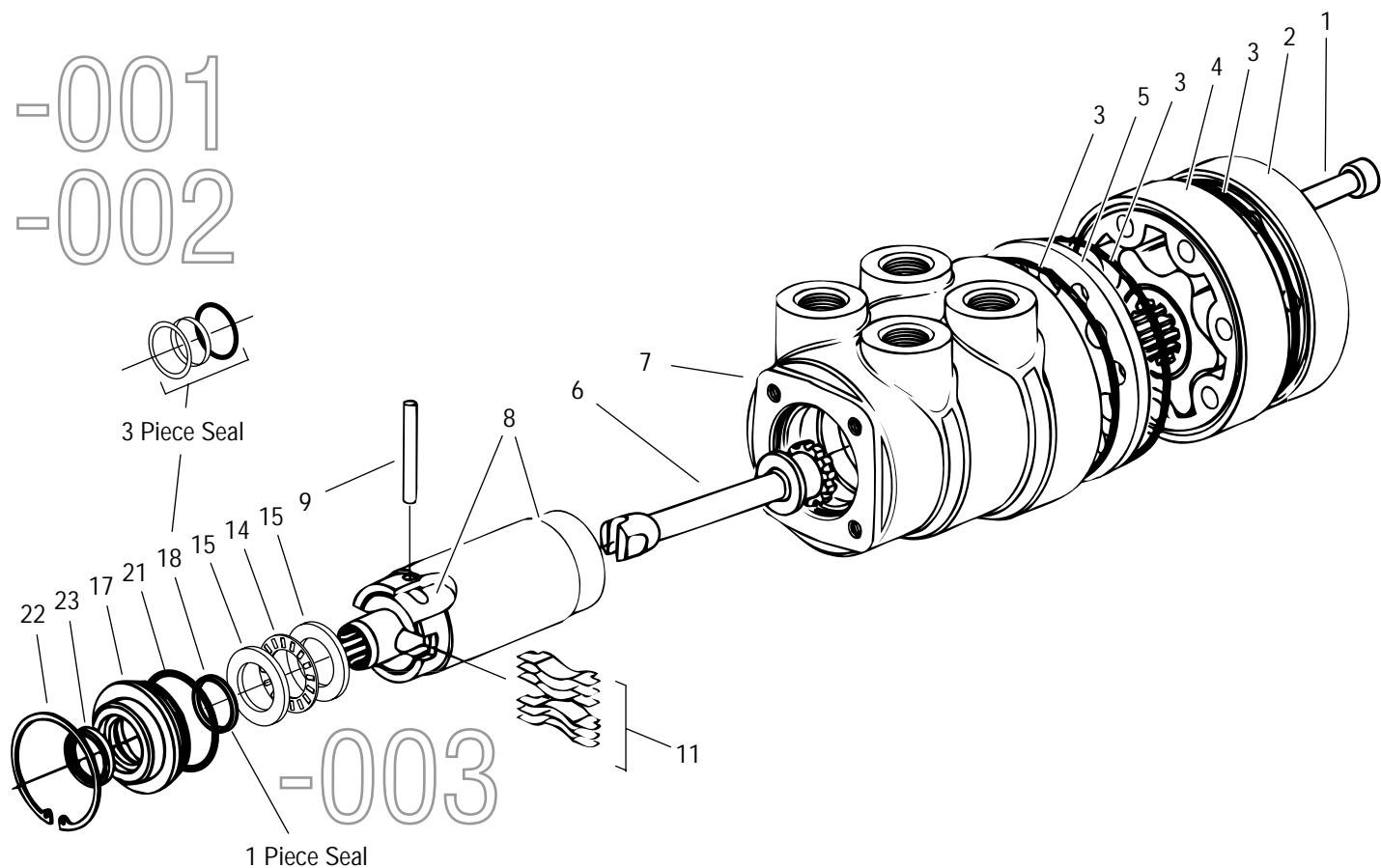


Parts Information



25 Series
Steering Control Units

001 002 003



Actual Displacement cm ³ /r [in ³ /r]	Ref. No. 4 Gerotor		Ref. No.1 Socket Head Cap Screw	
	Part No.	Width mm [in.]	Part No.	Length mm [in.]
490 [30]	21519-001	23,1 [.91]	16148-824	63,5 [2.50]
625 [38]	21519-002	29,2 [1.15]	16148-826	69,8 [2.75]
795 [48]	21519-003	36,8 [1.45]	16148-830	76,2 [3.00]
985 [60]	21519-004	46,0 [1.81]	16148-834	88,9 [3.50]
1230 [75]	21519-005	57,6 [2.27]	16148-836	95,2 [3.75]

Ref. No.	Part Number	Description	Qty. Per Unit
1	*	Screw, Cap	7
2	21509-000	Cap, End	1
X 3	250001-048	Seal, O-ring 120,4 mm [4.74 in.] ID	3
4	*	Gerotor	1
5	21847-000	Plate, Wear	1
6	21514-000	Drive	1
7	NSS	Housing	1
8	NSS	Sleeve, Control	1
	NSS	Spool, Control	1
9	14451-000	Pin, Centering	1
* * 11	NSS	Spring, Centering	6
14	5544-000	Bearing, Needle Thrust	1
15	8329-000	Bearing Race	2
17	21513-000	Retainer, Front	1
X 18	9233-001	Seal, 25,4 mm [1.00 in.] ID	1
X 21	250001-136	Seal, O-ring, 50,5 mm [1.99 in.] ID	1
22	14296-000	Ring, Retaining	1
X 23	844-000	Seal, Dust, 31,7 mm [1.25 in.] OD	1
	64468-000	Seal Kit — Contains Parts Indicated by X.	

* — See Chart on Page 2 for Information on Specific Models

** — Ref. 11 Sold only in Kit form, Spring Kit No. 64428-001 Includes 8 Springs, 6 Springs are Required for 25 Series Steering Control Units (8 Springs Used on 35 Series and 40 Series Open Center Steering Control Units Only).

NSS — Not Sold Separately

25 Series Steering Control Units

25 Series SCU

System	Signal	Load Circuit	Rated Flow l/min [GPM]	O-ring Port Size	Actual Displacement cm ³ /r [in ³ /r] — Product Number				
					490 [30]	625 [38]	795 [48]	985 [60]	1230 [75]
Open Center	N/A	Non Load Reaction	95 [25]	1- 1/16-12	251-1001	251-1002	251-1003	251-1004	251-1005
Closed Center	N/A	Non Load Reaction	95 [25]	1- 1/16-12	252-1001	252-1002	252-1003	252-1004	252-1005
				1- 1/16-12	252-1008**	252-1009**	252-1012**	252-1013**	252-1006**
Load Sensing	Dynamic	Non Load Reaction	95 [25]	1- 1/16-12	253-1001	253-1002	253-1003	253-1004	253-1005

** Closed Center Units with Neutral Bleed
2,3 l/min [.6 GPM] at 172 bar [2500 PSI]

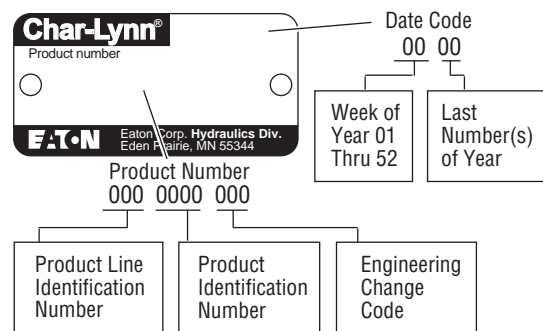
How to Order Replacement Parts

Each Order Must Include the Following:

1. Product Number
2. Date Code
3. Part Name
4. Part Number
5. Quantity of Parts

For More Detailed Information Contact Eaton Corp. Hydraulics Division 15151 Highway 5 Eden Prairie, MN 55344.

- Specifications and performance data, Catalog No. 11-872
- When servicing Steering Control Unit refer to Repair Information No. 7-306. This repair manual lists tools required, and step by step disassembly and reassembly procedures.



Eaton
Fluid Power Group
Hydraulics Business USA
14615 Lone Oak Road
Eden Prairie, MN 55344
USA
Tel: 952-937-9800
Fax: 952-294-7722
www.eaton.com/hydraulics

Eaton
Fluid Power Group
Hydraulics Business Europe
Route de la Longeraie 7
1110 Morges
Switzerland
Tel: +41 (0) 21 811 4600
Fax: +41 (0) 21 811 4601

Eaton
Fluid Power Group
Hydraulics Business Asia Pacific
11th Floor Hong Kong New World Tower
300 Huaihai Zhong Road
Shanghai 200021
China
Tel: 86-21-6387-9988
Fax: 86-21-6335-3912