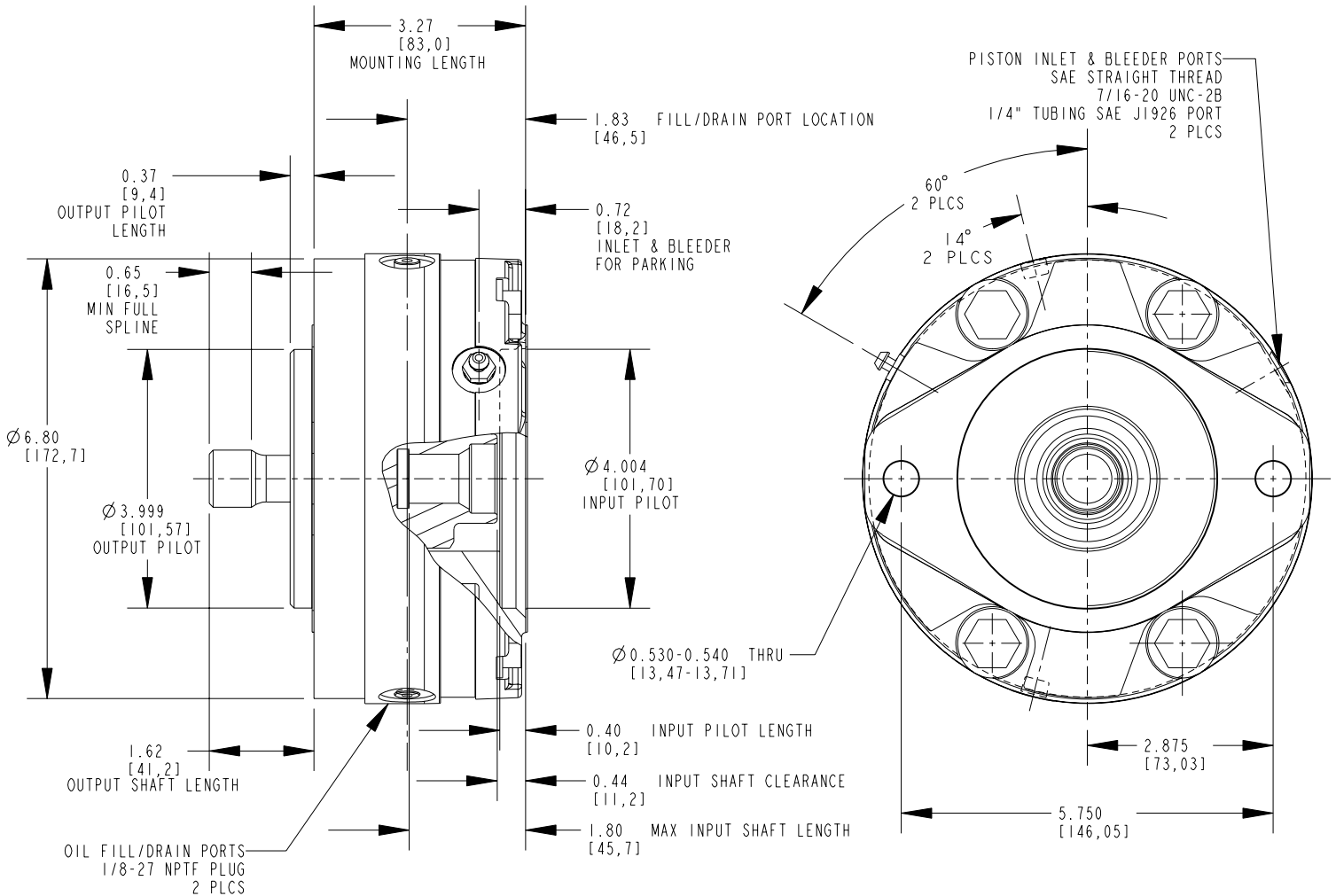


# 75230

## SAE "B" TO SAE "B"

# WET



RATED TORQUE	2600 (294)
FULL RELEASE PRESSURE	180(12)
INPUT SPLINE (INTERNAL)	13T 16/32 ANSI B92.1 SIDE FIT 30° PRESSURE ANGLE
OUTPUT SPLINE (EXTERNAL)	13T 16/32 ANSI B92.1 SIDE FIT 30° PRESSURE ANGLE
OIL FILL VOLUME HORIZONTAL (mL)	160
OIL FILL VOLUME VERTICAL (mL)	320
O-RING SERVICE KIT	PK-1324
STACK SERVICE KIT	PK-1323
BEARING SERVICE KIT	PK-1320
GASKET SERVICE KIT	PK-1325

- \* UNITS: LENGTH, DIAMETER = IN (mm), PRESSURE = PSI (BAR), TORQUE = LBS IN (Nm)
- \* MAX OPERATING PRESSURE FOR PARKING IS 3000 PSI (207 BAR).
- \* PRESSURE SPIKES OR SURGES ARE NOT TO EXCEED 4000 PSI (276 BAR).
- \* BRAKE CAVITY COOLING OIL PRESSURE NOT TO EXCEED 15 PSI (1 BAR).
- \* MAXIMUM HORIZONTAL OPERATING SPEED IS 5000 RPM.
- \* FOR VERTICAL APPLICATION, CONTACT AUSCO FOR MAX SPEED DETAILS.
- \* REVIEW IMPORTANT NOTES ON GENERAL INFORMATION.