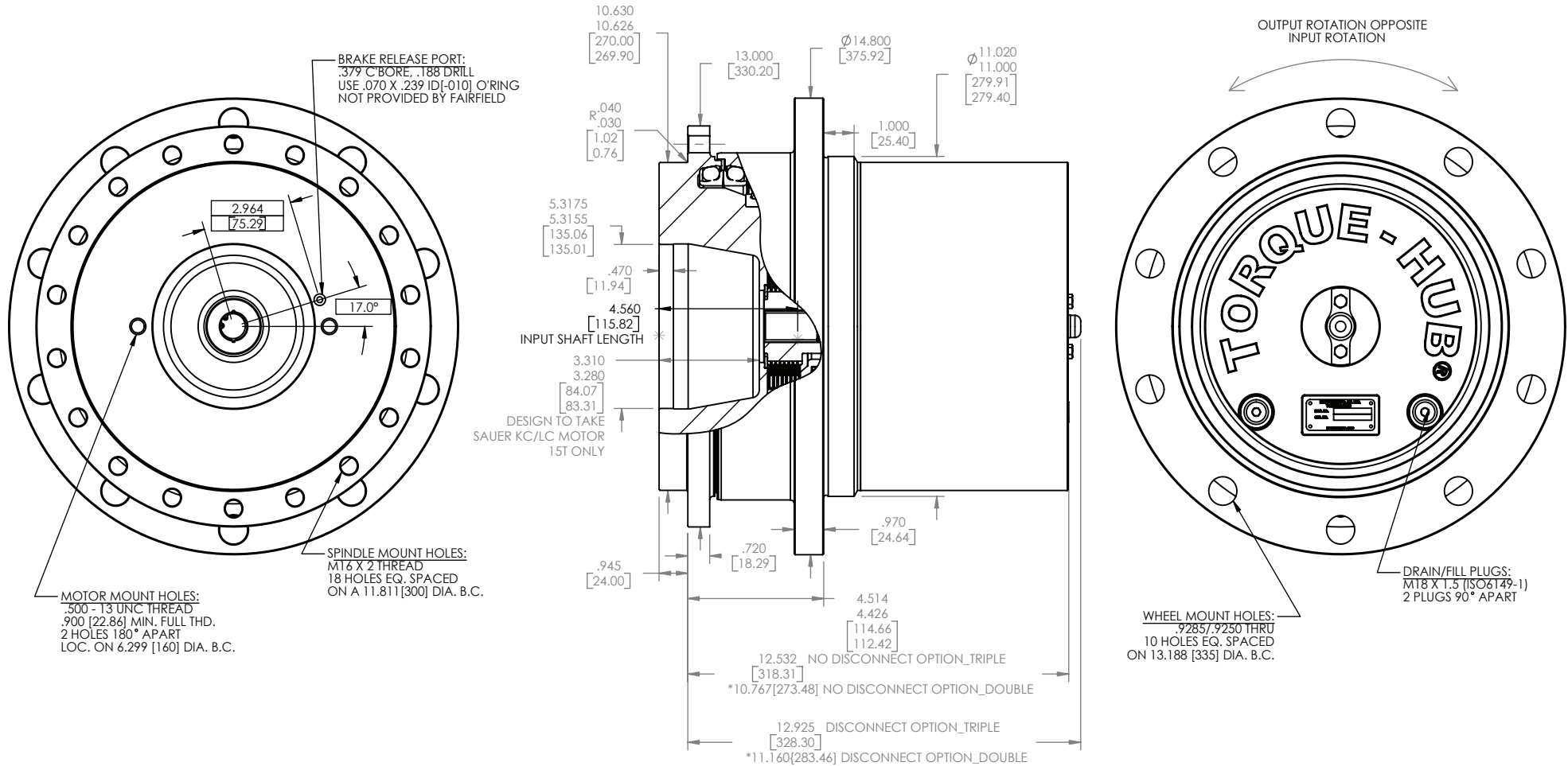


18000 Series

18HPA1 Application Sheet

TORQUE-HUB®
Planetary Final Drives



oerlikon
fairfield

Catalog prints are representative of the units.
Before final design request a certified print from Fairfield.

NOTE: MM SHOWN IN ()
MOTOR CAVITY DIMENSIONS VARY WITH MODEL

OTHER MODELS ALSO AVAILABLE
FAIRFIELD BRAKE AVAILABLE

18HPA1

Performance Data

Continuous	Intermittent	Peak
9,000 Nm	18,000 Nm	Contact Fairfield
79,650 lb-in	159,300 lb-in	

For ultimate torque and horsepower capacities, contact a Torque-Hub® representative.

Speed Limitations

Input Speed: 5,000 RPM Maximum Intermittent

Weight

Approximately: 272 lbs (123 kg)

Note: Specific models will change weights.

18HPA Model Formula

18 – 18000 Series Torque Hub

Output

H – Hub

Motor Input

P - Cartridge Motor

æerlikon
fairfield

Fairfield Manufacturing Company, Inc.
First in Custom Gears and Drive Systems

www.fairfieldmfg.com

Spindle Brake

- A – Integral 5000 lb-in [565 Nm]
- B – Integral 4250 lb-in [480 Nm]
- C – Integral 3400 lb-in [385 Nm]
- D – Integral 2940 lb-in [332 Nm]
- X – Empty Brake Cavity

Motor Cavity

- 1 - Saurer LC and KC

Oil

Fill to half full with EP-90 oil on most applications.

Approximate Volume: 50 oz. (1,479 cm³)

Note: Oil level and type will vary with specific model and application.

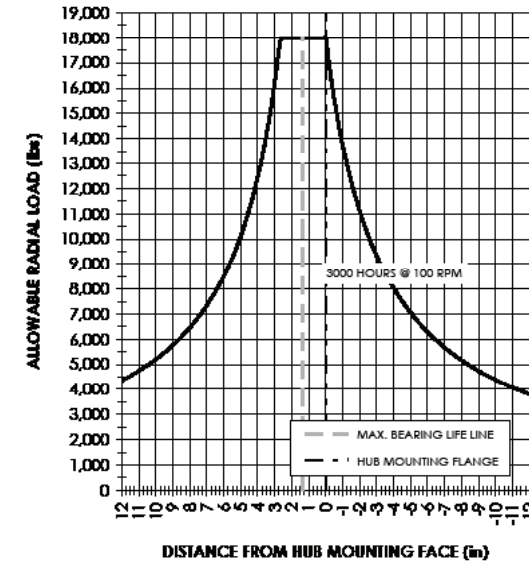
Conditions of Bearing Curve

Life = 3,000 hours B-10
Speed = 100 RPM output

To adjust for loads and speeds other than shown on curve:

$$\text{Adjusted Life (hrs)} = 3,000 \left(\frac{100 \text{ RPM}}{\text{Speed (Adjusted)}} \right) \times \left(\frac{\text{Load (Curve)}}{\text{Load (Adjusted)}} \right)^{10/3}$$

Bearing Curve



18 H P A 1 1 0 8 0 G 0 048

Reduction

- 015 – 14.88:1
- 018 – 17.97:1
- 021 – 21.14:1
- 025 – 24.92:1
- 029 – 29.24:1
- 036 – 35.92:1
- 041 – 40.84:1
- 048 – 47.60:1
- 057 – 57.49:1

Disengage

- 0 – None
- G – Disengage

Special Option

- 0 – None

Input Splines

- 3 - 13T 16/32
- 8 - 15T 16/32

Studs

- 0 – None
- H – M22 x 1.5 – 6g by 80.5mm

Options

- 0 – None
- Z – Seal Boot

Spindle		Hub	
Flange	B.C.	Mounting	B.C.
Mtg. Dia.		Dia.	
10.630 270.00	(17 on 18 hole pattern)	11.020 279.91	(10) .929/.925 THRU
10.626 269.90	M16 x 2 Thread on 11.811 [300] B.C.	11.000 279.40	on 13.187 [335] B.C.