

No. 11-605
Revised March 1998

Eaton®
Gear Pumps



**L2 Series
Model 25500 Gear Pumps**

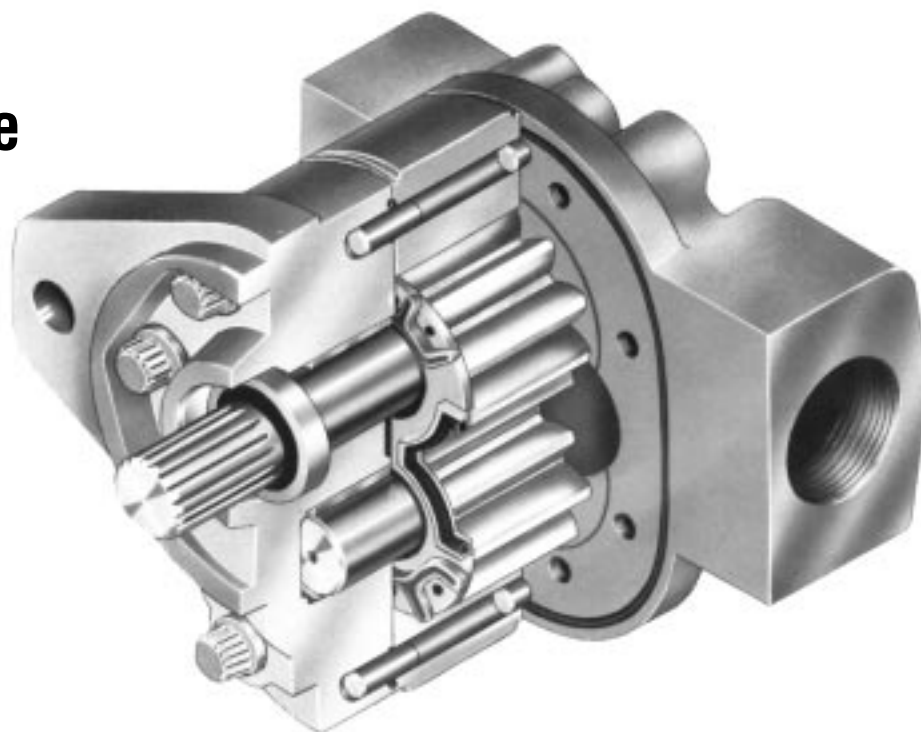
We Manufacture

Solutions

Hydraulics

S
C
h
y
d
r
a
u
n
i
c
s

L2 Series Model 25500 High Pressure Gear Pump



General Specifications

Rotation	CCW or CW
Mounting Flange	SAE 2 Bolt B
Maximum Continuous[†] Pressure	248 bar [3600 PSI]*
Maximum Intermittent^{††} Pressure	276 bar [4000 PSI]**
Minimum Speed at Continuous Pressure	750 RPM
Maximum Continuous Inlet Temperature	107°C [225°F]
Minimum Operating Temperature	-29°C [-20°F]
Maximum Inlet Vacuum at 82°C [180°F] and Rated Speed	6.0 In. Hg

[†] Continuous - pump may be run continuously at these ratings.

^{††} Intermittent - Intermittent operation, 10% of every minute.

For side load limits consult your Eaton representative.

* 46.7 [2.85] displacement maximum continuous pressure is 224 bar [3250 PSI]

* 51.1 [3.12] displacement maximum continuous pressure is 207 bar [3000 PSI]

* 55.2 [3.37] displacement maximum continuous pressure is 190 bar [2750 PSI]

** 46.7 [2.85] displacement maximum intermittent pressure is 252 bar [3650 PSI]

** 51.1 [3.12] displacement maximum intermittent pressure is 234 bar [3400 PSI]

** 55.2 [3.37] displacement maximum intermittent pressure is 217 bar [3150 PSI]

Performance Data

Model	25500	25501	25502	25503	25504	25505	25506	25507	25508
Displacement cm ³ /r [in ³ /r]	21.3 [1.30]	25.4 [1.55]	29.2 [1.78]	33.6 [2.05]	38.2 [2.33]	42.8 [2.61]	46.7 [2.85]	51.1 [3.12]	55.2 [3.37]
Max. Continuous[†] Pressure bar [PSI]	248 [3600]	248 [3600]	248 [3600]	248 [3600]	248 [3600]	248 [3600]	224 [3250]	207 [3000]	190 [2750]
Max. Intermittent^{††} Pressure bar [PSI]	276 [4000]	276 [4000]	276 [4000]	276 [4000]	276 [4000]	276 [4000]	252 [3650]	234 [3400]	217 [3150]
Rated Speed (RPM)	3500	3000	3000	2750	2750	2500	2500	2500	2250
Output Flow at 207 bar [3000 PSI] and Rated Speed LPM [GPM]	68.9 [18.2]	68.5 [18.1]	77.4 [20.5]	89.4 [23.6]	102.0 [27.0]	103.0 [27.2]	112.0 [29.6]	127.5 [33.7]	124.1 [32.8]
Input Power at 207 bar [3000 PSI] and Rated Speed kW [HP]	27.5 [36.9]	27.5 [36.9]	31.1 [41.7]	35.3 [47.3]	39.5 [53.0]	39.6 [53.1]	42.4 [56.8]	49.4 [66.2]	48.2 [64.7]

The performance data in the table above and the following graphs was collected using a mineral base oil with a viscosity of 133 SUS at 49° C [120° F]. The following performance graphs are representative of the series.

[†] Continuous - pump may be run continuously at these ratings.

^{††} Intermittent - Intermittent operation, 10% of every minute.

Ordering Information

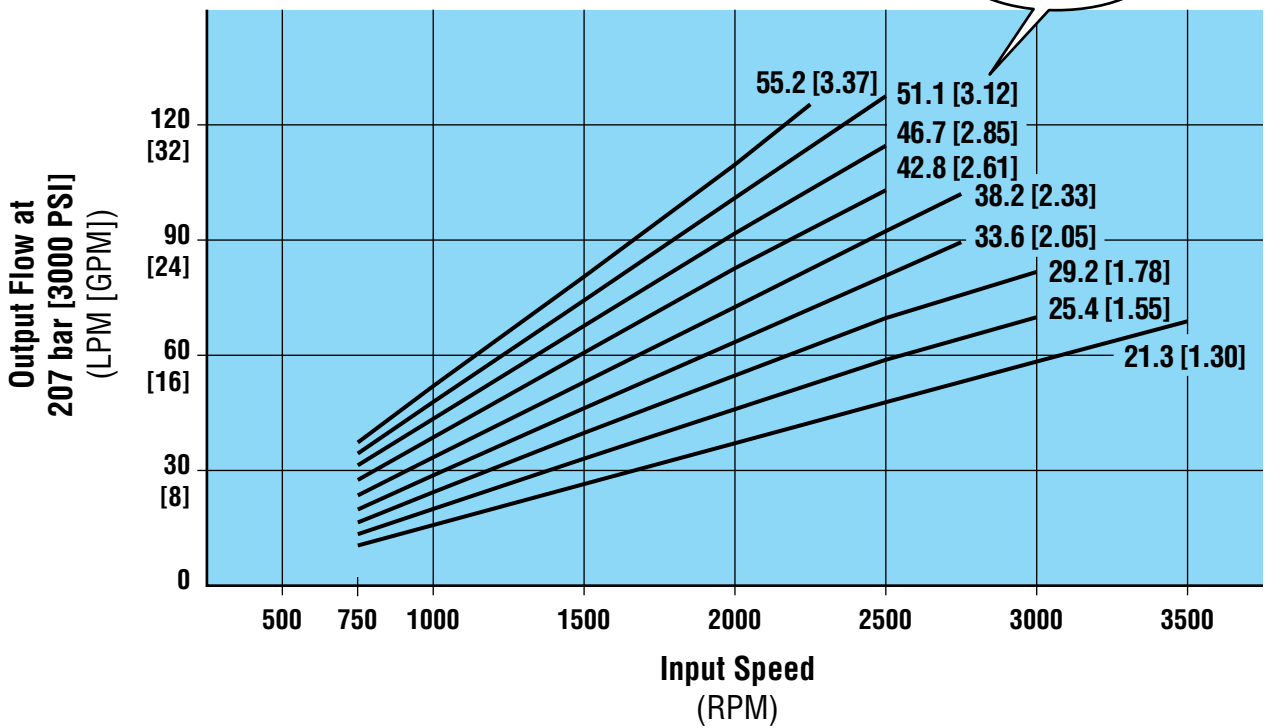
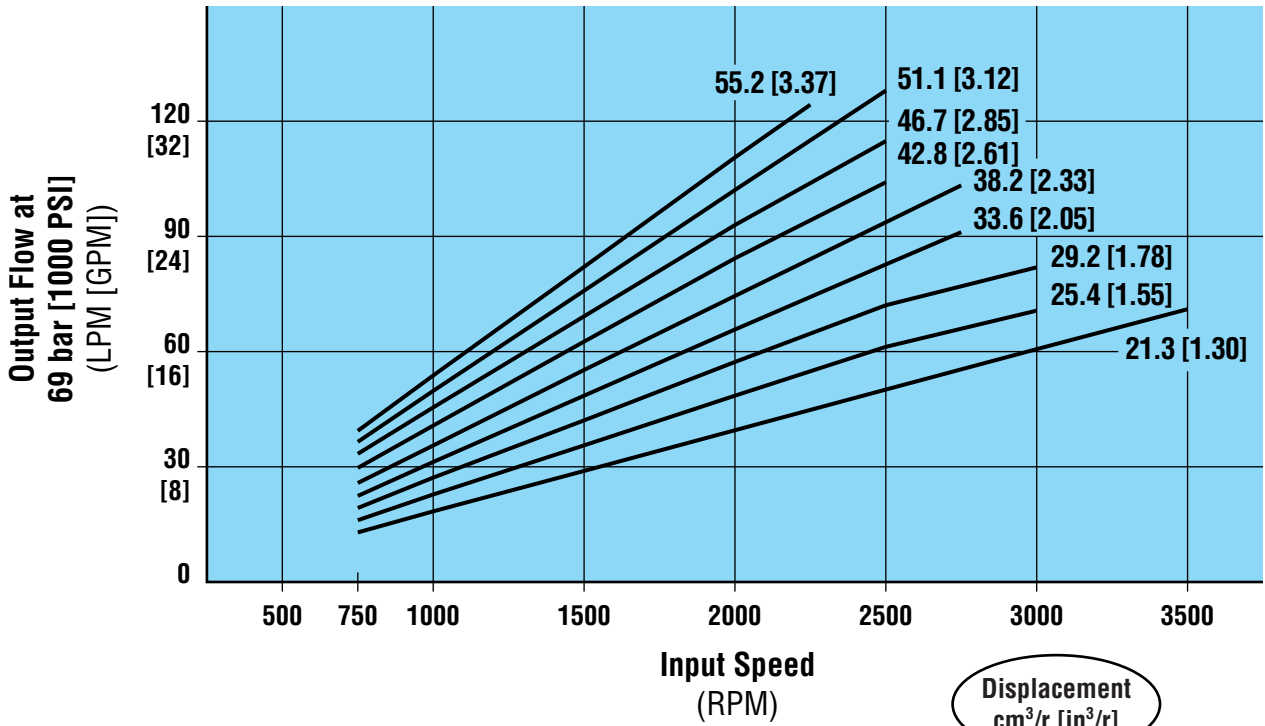
Standard Catalog Assemblies

Standard Catalog Assemblies are built from high quality production parts and are the most economical pumps available in this series. Dimensions and order numbers for Standard Catalog Assemblies are given on pages 6 through 9.

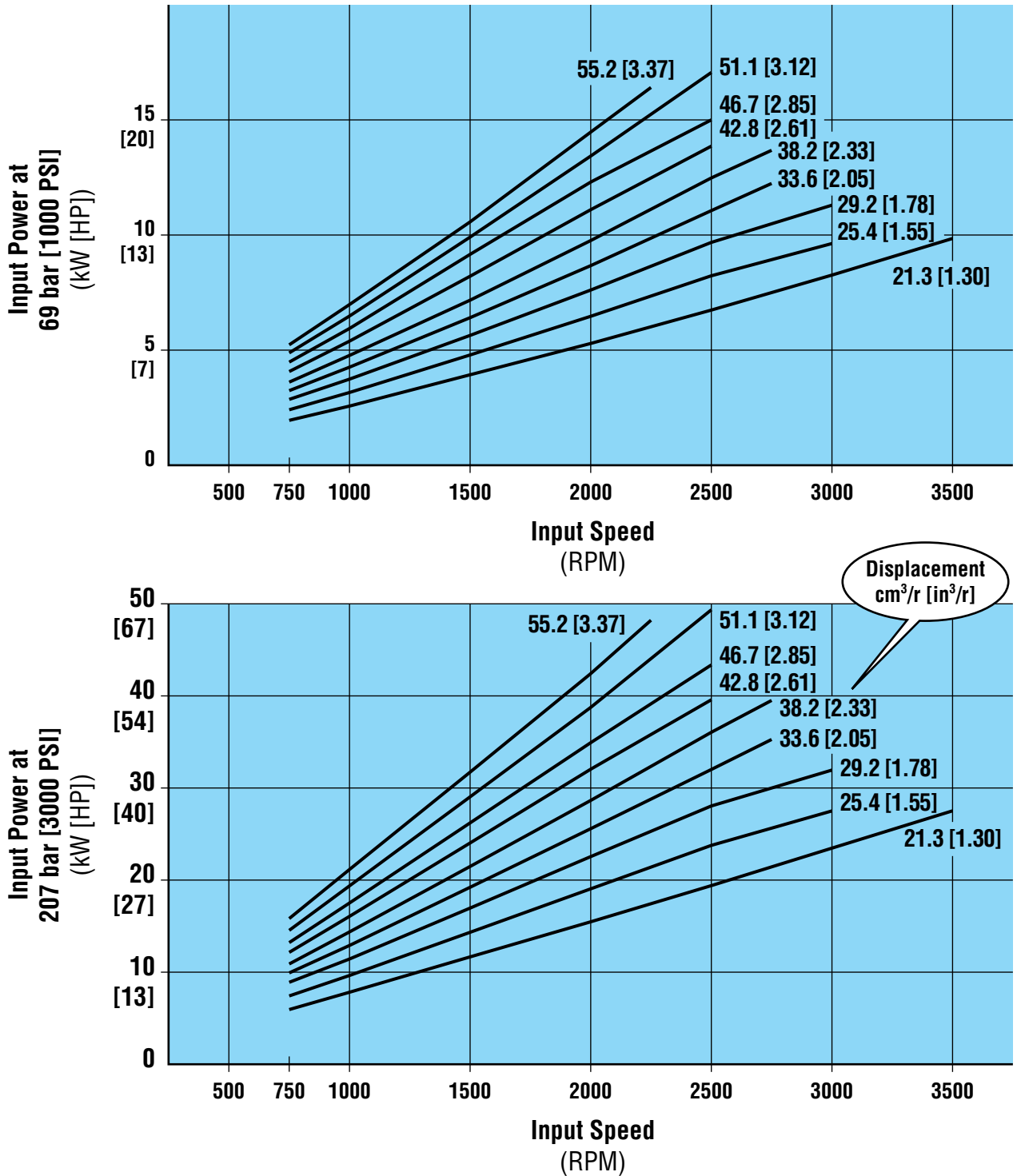
Optional Configurations

Besides the Standard Catalog Assemblies, the L2 Series has several optional features. Flow divider and tandem backplates are available. Multiple gear pumps can also be built. If a variation from the Standard Catalog Assemblies is required, use the model codes on pages 10 through 18.

Performance Data – Output Flow vs Speed

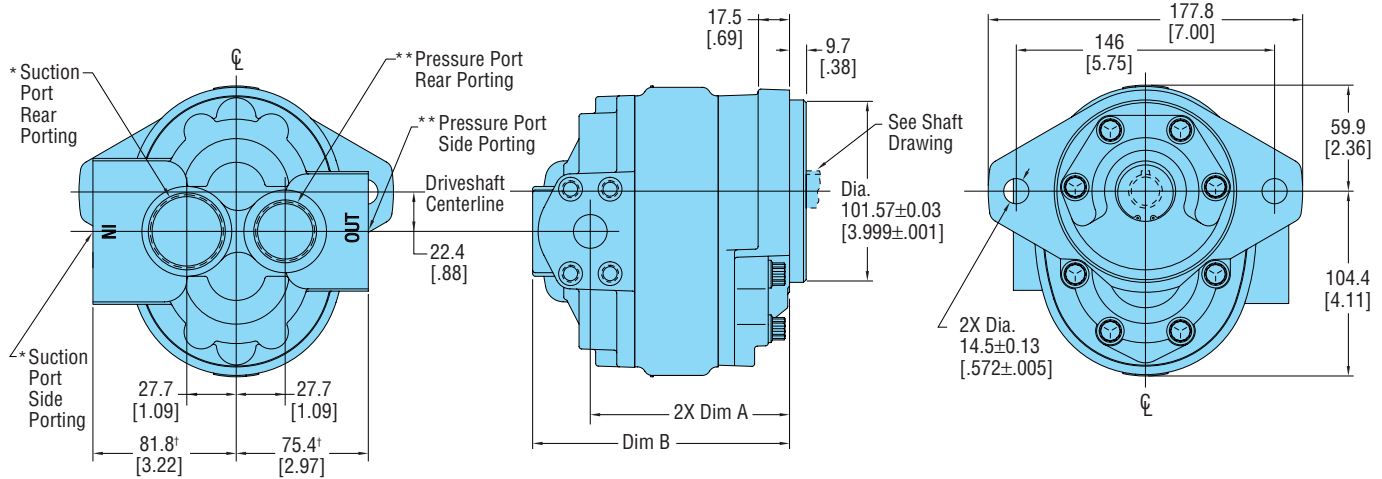


Performance Data – Input Power vs Speed



The performance data show in the graphs are representative of this series. Tests were performed per SAE specifications using mineral base oil with a viscosity of 133 SUS at 49° C [120° F].

Standard Catalog Assemblies – Dimensions



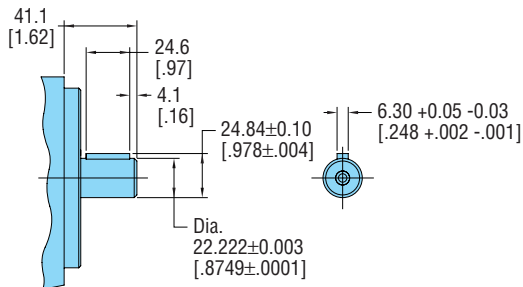
Left Hand Rotation Shown

- * Suction Port – O-ring: 1 5/8-12 SAE, Split Flange: 1 1/4
- ** Pressure Port – O-ring: 1 1/16-12 SAE, Split Flange: 3/4
- † For split flange porting subtract .8 [.03], available in side porting only

Model	25500	25501	25502	25503	25504	25505	25506	25507	25508
Displacement (cm ³ /r [in ³ /r])	21.3 [1.30]	25.4 [1.55]	29.2 [1.78]	33.6 [2.05]	38.2 [2.33]	42.8 [2.61]	46.7 [2.85]	51.1 [3.12]	55.2 [3.37]
Dimension A (mm [in.])	84.8 [3.34]	88.2 [3.47]	91.7 [3.61]	95.1 [3.75]	98.6 [3.88]	102.0 [4.02]	105.3 [4.14]	109.0 [4.29]	112.4 [4.43]
Dimension B (mm [in.])	117.3 [4.62]	120.8 [4.75]	124.2 [4.89]	127.7 [5.03]	131.1 [5.16]	134.6 [5.30]	137.8 [5.42]	141.5 [5.57]	145.0 [5.71]

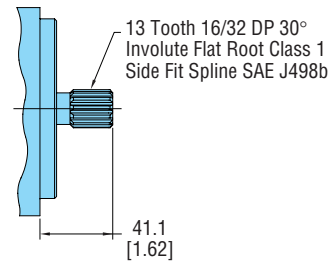
7/8 Inch Straight Key

Maximum Input Torque
170 Nm [1500 lb-in]



7/8 Inch 13 Tooth Spline

Maximum Input Torque
209 Nm [1850 lb-in]



All dimensions given in mm [in.]

Standard Catalog Assemblies – Order Numbers

Model 25500 – 21.3 cm³/r [1.30 in³/r] Displacement

Right Hand Rotation Product No.	Left Hand Rotation Product No.	Shaft	Port Location	SAE Pressure Port Size	SAE Suction Port Size
25500-RSA	25500-LSA	13 T Spline	Side	1-1/16-12	1-5/8-12
25500-RSB	25500-LSB	13 T Spline	Rear	1-1/16-12	1-5/8-12
25500-RSC	25500-LSC	7/8 Keyed	Side	1-1/16-12	1-5/8-12
25500-RSD	25500-LSD	7/8 Keyed	Rear	1-1/16-12	1-5/8-12
25500-RSE	25500-LSE	13 T Spline	Side	3/4 Split Flange	1-1/4 Split Flange
25500-RSF	25500-LSF	7/8 Keyed	Side	3/4 Split Flange	1-1/4 Split Flange

Model 25501 – 25.4 cm³/r [1.55 in³/r] Displacement

Right Hand Rotation Product No.	Left Hand Rotation Product No.	Shaft	Port Location	SAE Pressure Port Size	SAE Suction Port Size
25501-RSA	25501-LSA	13 T Spline	Side	1-1/16-12	1-5/8-12
25501-RSB	25501-LSB	13 T Spline	Rear	1-1/16-12	1-5/8-12
25501-RSC	25501-LSC	7/8 Keyed	Side	1-1/16-12	1-5/8-12
25501-RSD	25501-LSD	7/8 Keyed	Rear	1-1/16-12	1-5/8-12
25501-RSE	25501-LSE	13 T Spline	Side	3/4 Split Flange	1-1/4 Split Flange
25501-RSF	25501-LSF	7/8 Keyed	Side	3/4 Split Flange	1-1/4 Split Flange

Model 25502 – 29.2 cm³/r [1.78 in³/r] Displacement

Right Hand Rotation Product No.	Left Hand Rotation Product No.	Shaft	Port Location	SAE Pressure Port Size	SAE Suction Port Size
25502-RSA	25502-LSA	13 T Spline	Side	1-1/16-12	1-5/8-12
25502-RSB	25502-LSB	13 T Spline	Rear	1-1/16-12	1-5/8-12
25502-RSC	25502-LSC	7/8 Keyed	Side	1-1/16-12	1-5/8-12
25502-RSD	25502-LSD	7/8 Keyed	Rear	1-1/16-12	1-5/8-12
25502-RSE	25502-LSE	13 T Spline	Side	3/4 Split Flange	1-1/4 Split Flange
25502-RSF	25502-LSF	7/8 Keyed	Side	3/4 Split Flange	1-1/4 Split Flange

Standard Catalog Assemblies – Order Numbers

Model 25503 – 33.6 cm³/r [2.05 in³/r] Displacement

Right Hand Rotation Product No.	Left Hand Rotation Product No.	Shaft	Port Location	SAE Pressure Port Size	SAE Suction Port Size
25503-RSA	25503-LSA	13 T Spline	Side	1-1/16-12	1-5/8-12
25503-RSB	25503-LSB	13 T Spline	Rear	1-1/16-12	1-5/8-12
25503-RSC	25503-LSC	7/8 Keyed	Side	1-1/16-12	1-5/8-12
25503-RSD	25503-LSD	7/8 Keyed	Rear	1-1/16-12	1-5/8-12
25503-RSE	25503-LSE	13 T Spline	Side	3/4 Split Flange	1-1/4 Split Flange
25503-RSF	25503-LSF	7/8 Keyed	Side	3/4 Split Flange	1-1/4 Split Flange

Model 25504 – 38.2 cm³/r [2.33 in³/r] Displacement

Right Hand Rotation Product No.	Left Hand Rotation Product No.	Shaft	Port Location	SAE Pressure Port Size	SAE Suction Port Size
25504-RSA	25504-LSA	13 T Spline	Side	1-1/16-12	1-5/8-12
25504-RSB	25504-LSB	13 T Spline	Rear	1-1/16-12	1-5/8-12
25504-RSC	25504-LSC	7/8 Keyed	Side	1-1/16-12	1-5/8-12
25504-RSD	25504-LSD	7/8 Keyed	Rear	1-1/16-12	1-5/8-12
25504-RSE	25504-LSE	13 T Spline	Side	3/4 Split Flange	1-1/4 Split Flange
25504-RSF	25504-LSF	7/8 Keyed	Side	3/4 Split Flange	1-1/4 Split Flange

Model 25505 – 42.8 cm³/r [2.61 in³/r] Displacement

Right Hand Rotation Product No.	Left Hand Rotation Product No.	Shaft	Port Location	SAE Pressure Port Size	SAE Suction Port Size
25505-RSA	25505-LSA	13 T Spline	Side	1-1/16-12	1-5/8-12
25505-RSB	25505-LSB	13 T Spline	Rear	1-1/16-12	1-5/8-12
25505-RSC	25505-LSC	7/8 Keyed	Side	1-1/16-12	1-5/8-12
25505-RSD	25505-LSD	7/8 Keyed	Rear	1-1/16-12	1-5/8-12
25505-RSE	25505-LSE	13 T Spline	Side	3/4 Split Flange	1-1/4 Split Flange
25505-RSF	25505-LSF	7/8 Keyed	Side	3/4 Split Flange	1-1/4 Split Flange

Standard Catalog Assemblies – Order Numbers

Model 25506 – 46.7 cm³/r [2.85 in³/r] Displacement

Right Hand Rotation Product No.	Left Hand Rotation Product No.	Shaft	Port Location	SAE Pressure Port Size	SAE Suction Port Size
25506-RSA	25506-LSA	13 T Spline	Side	1-1/16-12	1-5/8-12
25506-RSB	25506-LSB	13 T Spline	Rear	1-1/16-12	1-5/8-12
25506-RSC	25506-LSC	7/8 Keyed	Side	1-1/16-12	1-5/8-12
25506-RSD	25506-LSD	7/8 Keyed	Rear	1-1/16-12	1-5/8-12
25506-RSE	25506-LSE	13 T Spline	Side	3/4 Split Flange	1-1/4 Split Flange
25506-RSF	25506-LSF	7/8 Keyed	Side	3/4 Split Flange	1-1/4 Split Flange

Model 25507 – 51.1 cm³/r [3.12 in³/r] Displacement

Right Hand Rotation Product No.	Left Hand Rotation Product No.	Shaft	Port Location	SAE Pressure Port Size	SAE Suction Port Size
25507-RSA	25507-LSA	13 T Spline	Side	1-1/16-12	1-5/8-12
25507-RSB	25507-LSB	13 T Spline	Rear	1-1/16-12	1-5/8-12
25507-RSC	25507-LSC	7/8 Keyed	Side	1-1/16-12	1-5/8-12
25507-RSD	25507-LSD	7/8 Keyed	Rear	1-1/16-12	1-5/8-12
25507-RSE	25507-LSE	13 T Spline	Side	3/4 Split Flange	1-1/4 Split Flange
25507-RSF	25507-LSF	7/8 Keyed	Side	3/4 Split Flange	1-1/4 Split Flange

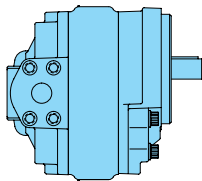
Model 25508 – 55.2 cm³/r [3.37 in³/r] Displacement

Right Hand Rotation Product No.	Left Hand Rotation Product No.	Shaft	Port Location	SAE Pressure Port Size	SAE Suction Port Size
25508-RSA	25508-LSA	13 T Spline	Side	1-1/16-12	1-5/8-12
25508-RSB	25508-LSB	13 T Spline	Rear	1-1/16-12	1-5/8-12
25508-RSC	25508-LSC	7/8 Keyed	Side	1-1/16-12	1-5/8-12
25508-RSD	25508-LSD	7/8 Keyed	Rear	1-1/16-12	1-5/8-12
25508-RSE	25508-LSE	13 T Spline	Side	3/4 Split Flange	1-1/4 Split Flange
25508-RSF	25508-LSF	7/8 Keyed	Side	3/4 Split Flange	1-1/4 Split Flange

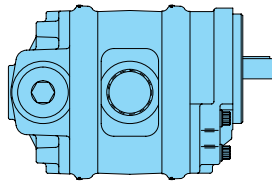
Optional Configurations

The L2 Series gear pump components can be assembled into many optional configurations. The versatile design allows you to assemble a pump to meet your specific needs.

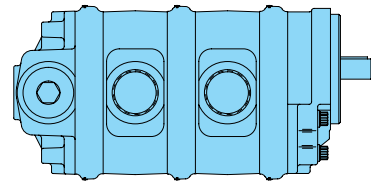
Model codes for single and multiple pumps along with the component part dimension drawings are given on the following pages.



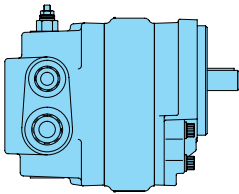
Single Gear Pump with Split- Flange Ports



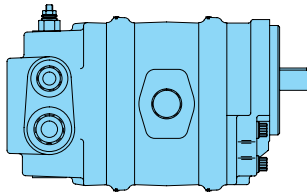
Double Gear Pump with Common Suction Port



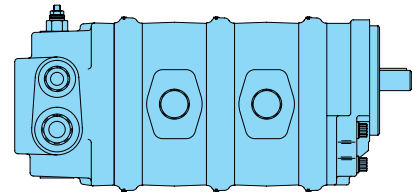
Triple Gear Pump with Two Suction Ports



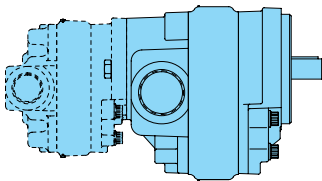
Single Gear Pump with Flow Divider



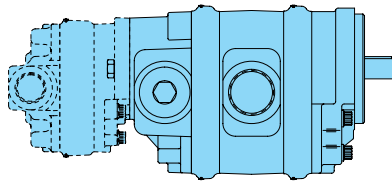
Double Gear Pump with Flow Divider



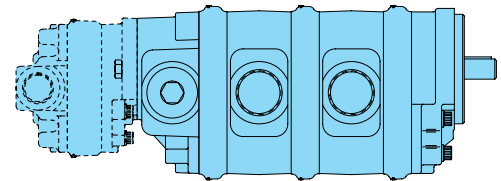
Triple Gear Pump with Flow Divider



Single Gear Pump with SAE A Flange Auxiliary Mount



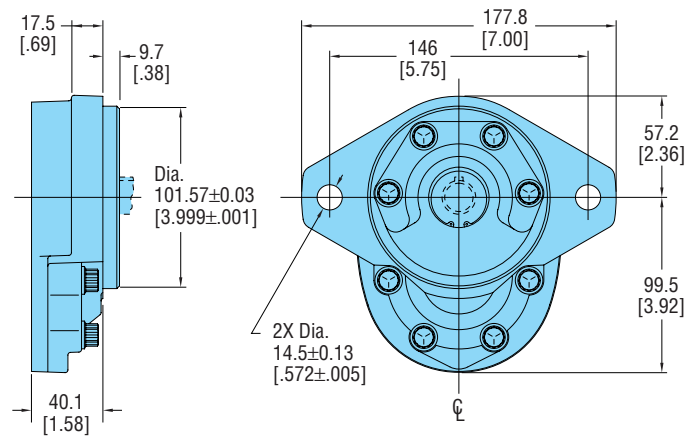
Double Gear Pump with Common Suction Port and SAE A Flange Auxiliary Mount



Triple Gear Pump with Two Suction Ports and SAE A Flange Auxiliary Mount

Component Parts – Dimensions

Front Plate
 SAE 2 Bolt B Mount
 Used on all Standard
 Catalog Assemblies

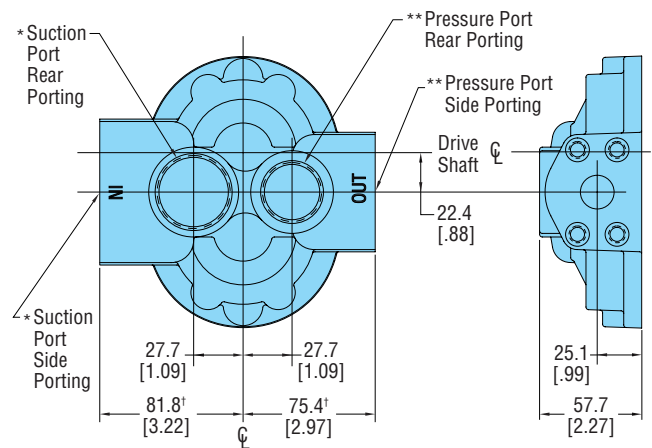


Body
 Used on Single
 and Multiple
 Pumps



Displacement cm ³ /r [in ³ /r]	Dimension A mm [in.]
21.3 [1.30]	19.8 [.78]
25.4 [1.55]	23.1 [.91]
29.2 [1.78]	26.7 [1.05]
33.6 [2.05]	30.0 [1.18]
38.2 [2.33]	1.32 [33.5]
42.8 [2.61]	37.1 [1.46]
46.7 [2.85]	1.59 [40.4]
51.1 [3.12]	43.9 [1.73]
55.2 [3.37]	47.5 [1.87]

Backplate
 Used on Single and
 Multiple Pumps



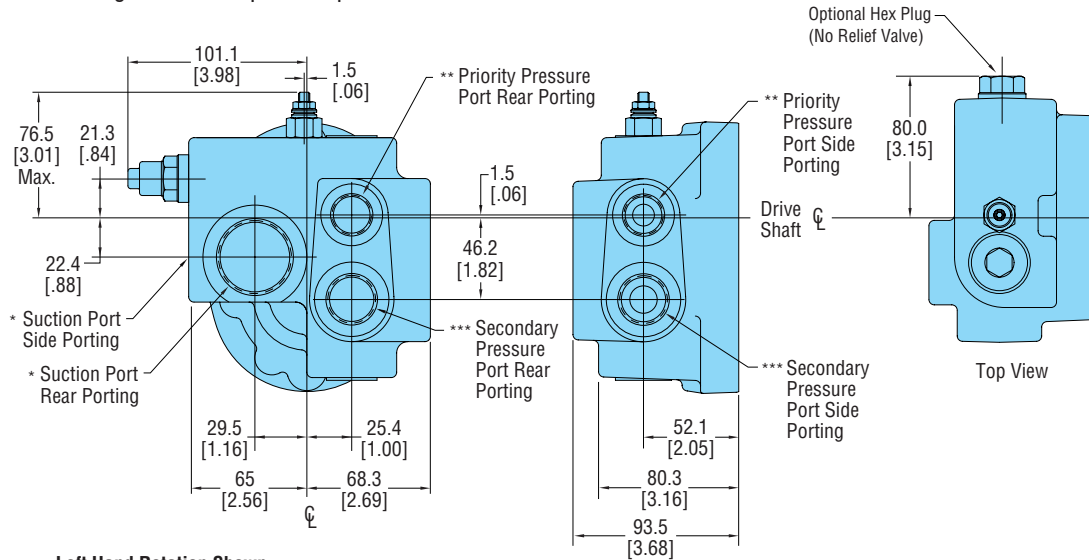
Left Hand Rotation Shown

- * Suction Port – O-ring: 1 5/8-12 SAE, Split Flange: 1 1/4
- ** Pressure Port – O-ring: 1 1/16-12 SAE, Split Flange: 3/4
- † For split flange porting subtract .8 [0.03], available in side porting only

Component Parts – Dimensions

Flow Divider Backplate

Used on Single and Multiple Pumps

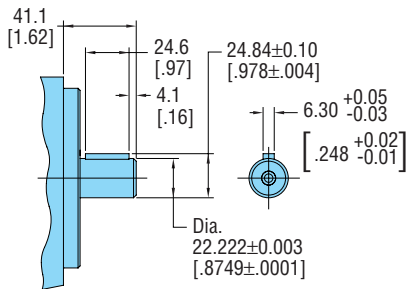


Left Hand Rotation Shown

- * Suction Port – 1 5/8-12 SAE
- ** Priority Pressure Port – 7/8-14 SAE
- *** Secondary Pressure Port – 1 1/16-12 SAE

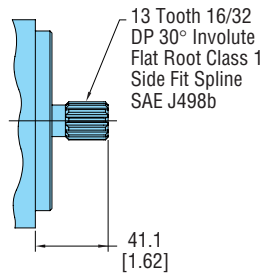
7/8 Inch Straight Key

Maximum Input Torque^{††}
170 Nm [1500 lb-in]



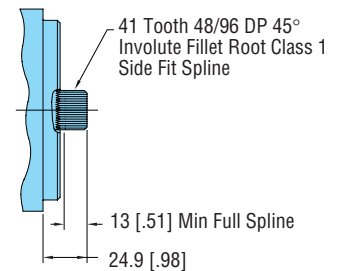
7/8 Inch 13 Tooth Spline

Maximum Input Torque^{††}
209 Nm [1850 lb-in]



7/8 Inch 41 Tooth Spline

Maximum Input Torque^{††}
316 Nm [2800 lb-in]

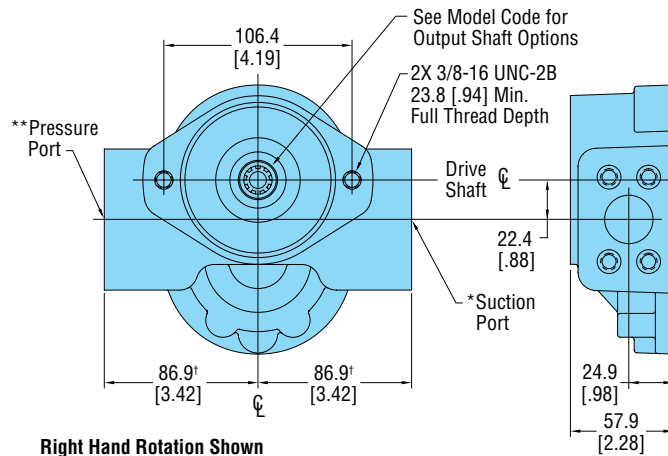


^{††} **Multiple pump input torque limitations:** the total torque for multiple pump displacements and pressure combinations cannot exceed the maximum input torque rating of the shaft. The proper formula is Pressure times Displacement divided by 6.28.

All dimensions given in mm [in.]

Component Parts – Dimensions

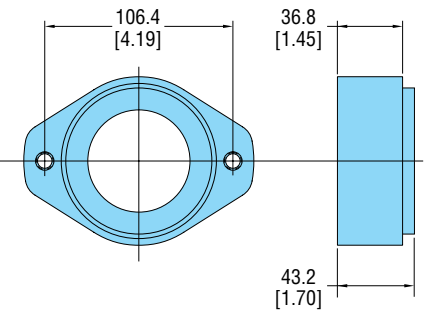
Tandem Backplate with SAE 2 Bolt A Flange
Used on Single and Multiple Pumps



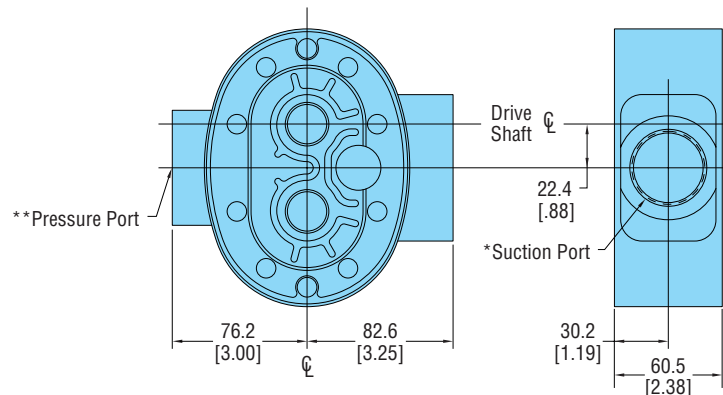
Right Hand Rotation Shown

- * Suction Port – O-ring: 1 5/8-12 SAE, Split Flange: 1 1/4
- ** Pressure Port – O-ring: 1 1/16-12 SAE, Split Flange: 3/4
- † For split flange porting subtract .8 [.03]

Spacer
Used with 11 Tooth Spline Output Shaft



Adaptor Plate
Used on Multiple Pumps



Right Hand Rotation Shown

- * Suction Port – O-ring: 1 5/8-12 SAE, Split Flange: 1 1/4
- ** Pressure Port – O-ring: 1 1/16-12 SAE, Split Flange: 3/4
- † For split flange porting subtract .8 [.03]

All dimensions given in mm [in.]

Model Codes

L2 gear pumps can be ordered by using the following Model Code.

A twenty-three digit coding system has been designed to identify all of the features available on L2 single gear pumps. The characters and their relative positions within the code identify specific features.

Use the Model Code Matrix as an aid

when assembling the model code for the pump with the features you desire. It may be helpful to photocopy the matrix and write the numbers and letters into to the boxes as you select features.

All twenty-three digits of the code must be submitted when ordering. The seven zeros at the end of the model code are for factory use, be sure to include them when ordering.

Position –	1	2	3	4	5	6	7	8	9	10	11	12	13	14	15	16	17	18	19	20	21	22	23
Model Code	A	B	F													0	0	0	0	0	0	0	0

Position 1, 2, 3 – Code Title

ABF = L2 Gear Pump – Single Unit

Position 4 – Unit Type

A = Plain

B = Flow Divider with or without relief valve (see positions 14 and 15)

Position 5 – Input Rotation (viewed from input shaft end)

L = Left-Hand Rotation CCW

R = Right-Hand Rotation CW

Position 6, 7 – Displacement (cm³/r [in³/r])

00 = 21.3 [1.30]

01 = 25.4 [1.55]

02 = 29.2 [1.78]

03 = 33.6 [2.05]

04 = 38.2 [2.33]

05 = 42.8 [2.61]

06 = 46.7 [2.85]

07 = 51.1 [3.12]

08 = 55.2 [3.37]

Position 8, 9 – Input Shaft

AA = 7/8 Inch Dia. 13 Tooth Spline 16/32 Pitch Shaft Extension 41.1 [1.62]

AB = 7/8 Inch Dia. Straight Keyed, Keyway 6.4 X 25.4 [.25 X 1.00]
Shaft Extension 41.1 [1.62]

AD = 7/8 Inch Dia. 41 Tooth Spline 48/96 Pitch Shaft Extension 24.9 [.98]

Model Codes

Position 10, 11 – Backplate Ports, Sizes and Location

01	=	1 5/8-12 Suction; 1 1/16-12 Pressure SAE Straight Thread O-ring Ports - Side
02	=	1 5/8-12 Suction; 1 1/16-12 Pressure SAE Straight Thread O-ring Ports - Rear
03	=	1 1/4 Suction; 3/4 Pressure Split Flange Ports - Side
04	=	1 5/8-12 Suction; 7/8-14 Priority Pressure; 1 1/16-12 Secondary Pressure SAE Straight Thread O-ring Ports - Side
05	=	1 5/8-12 Suction; 7/8-14 Priority Pressure; 1 1/16-12 Secondary Pressure SAE Straight Thread O-ring Ports - Rear

Position 12, 13 – Priority Flow Divider Setting (LPM [GPM])

00	=	No Flow Setting
AA	=	3.8 [1.00]
AB	=	5.7 [1.50]
AC	=	7.6 [2.00]
AD	=	9.5 [2.50]
AE	=	11.4 [3.00]
AF	=	13.3 [3.50]
AG	=	15.1 [4.00]
AH	=	17.0 [4.50]
AJ	=	18.9 [5.00]
AK	=	20.8 [5.50]
AL	=	22.7 [6.00]

Position 14, 15 – Priority Relief Valve Full Flow Setting (bar [PSI])

00	=	No Relief Valve Setting
AA	=	34.5 [500]
AB	=	51.7 [750]
AC	=	68.9 [1000]
AD	=	86.2 [1250]
AE	=	103.4 [1500]
AF	=	120.6 [1750]
AG	=	137.9 [2000]
AH	=	155.1 [2250]
AJ	=	172.4 [2500]

Position 16 – Auxiliary Rear Mount

0	=	None
B	=	2 Bolt A SAE Flange Series 82-2 Output Shaft Accepts 9 Tooth Spline 16/32 Pitch, Shaft Extension 31.8 [1.25]
C	=	2 Bolt A SAE Flange Series 82-2, With 11 Tooth 16/32 Pitch External Spline Output Shaft, 17.5 [.69] Minimum Full Spline, Requires Spacer and Coupler to Accept 31.8 [1.25] Mating Shaft Extension

Model Codes

Multiple L2 gear pumps can be ordered by using the following Model Code.

A twenty-nine digit coding system has been designed to identify all of the features available on L2 double and triple gear pumps. The characters and their relative positions within the code identify specific features.

Use the Model Code Matrix as an aid

when assembling the model code for the pump with the features you desire. It may be helpful to photocopy the matrix and write the numbers and letters into to the boxes as you select features.

All twenty-nine digits of the code must be submitted when ordering. The seven zeros at the end of the model code are for factory use, be sure to include them when ordering.

Model Code Matrix – L2 Multiple Pumps

Position –	1	2	3	4	5	6	7	8	9	10	11	12	13	14	15	16	17	18	19	20	21	22	23	24	25	26	27	28	29
Model Code	A	B	G																				0	0	0	0	0	0	0

Position 1, 2, 3 – Code Title

ABG = L2 Gear Pump – Multiple Unit

Position 4 – Unit Type

- A** = Plain
- B** = Flow Divider with or without relief valve (see positions 20 and 21)

Position 5 – Input Rotation (viewed from input shaft end)

- L** = Left-Hand Rotation CCW
- R** = Right-Hand Rotation CW

Position 6, 7 – Displacement of Front Section (cm³/r [in³/r])

- 00** = 21.3 [1.30]
- 01** = 25.4 [1.55]
- 02** = 29.2 [1.78]
- 03** = 33.6 [2.05]
- 04** = 38.2 [2.33]
- 05** = 42.8 [2.61]
- 06** = 46.7 [2.85]
- 07** = 51.1 [3.12]
- 08** = 55.2 [3.37]

Model Codes

Position 8, 9 – Displacement of Center Section (cm³/r [in³/r])

00	=	21.3 [1.30]
01	=	25.4 [1.55]
02	=	29.2 [1.78]
03	=	33.6 [2.05]
04	=	38.2 [2.33]
05	=	42.8 [2.61]
06	=	46.7 [2.85]
07	=	51.1 [3.12]
08	=	55.2 [3.37]
99	=	No Center Displacement

Position 10, 11 – Displacement of Rear Section (cm³/r [in³/r])

00	=	21.3 [1.30]
01	=	25.4 [1.55]
02	=	29.2 [1.78]
03	=	33.6 [2.05]
04	=	38.2 [2.33]
05	=	42.8 [2.61]
06	=	46.7 [2.85]
07	=	51.1 [3.12]
08	=	55.2 [3.37]

Position 12, 13 – Input Shaft

AA	=	7/8 Inch Dia. 13 Tooth Spline 16/32 Pitch Shaft Extension 41.1 [1.62]
AF	=	7/8 Inch Dia. Straight Keyed, Keyway 6.4 X 25.4 [.25 X 1.00] Shaft Extension 41.1 [1.62]
AE	=	7/8 Inch Dia. 41 Tooth Spline 48/96 Pitch Shaft Extension 24.9 [.98]

Position 14 – Front Adaptor Ports

1	=	1 5/8-12 Suction; 1 1/16-12 Pressure – SAE Straight Thread O-ring Ports, Common Suction
3	=	1 1/4 Suction; 3/4 Pressure Split Flange Ports, Common Suction

Position 15 – Rear Adaptor Ports (triple pumps)

0	=	No Rear Adaptor
1	=	1 5/8-12 Suction; 1 1/16-12 Pressure – SAE Straight Thread O-ring Ports, Common Suction
3	=	1 1/4 Suction; 3/4 Pressure Split Flange Ports, Common Suction

Model Codes

Position 16, 17 – Backplate Ports, Sizes and Location

- 02** = 1 5/8-12 Suction (Plugged); 1 1/16-12 Pressure SAE Straight Thread O-ring Ports - Side
- 05** = 1 5/8-12 Suction (Plugged); 7/8-14 Priority Pressure; 1 1/16-12 Secondary Pressure SAE Straight Thread O-ring Ports - Side
- 06** = 1 5/8-12 Suction (Plugged); 7/8-14 Priority Pressure; 1 1/16-12 Secondary Pressure SAE Straight Thread O-ring Ports - Rear
- 07** = 1 5/8-12 Suction (Plugged); 1 1/16-12 Pressure SAE Straight Thread O-ring Ports - Rear
- 08** = 1 1/4 Suction; 3/4 Pressure Split Flange Ports - Side

Position 18, 19 – Priority Flow Divider Setting (LPM [GPM])

- 00** = No Flow Setting
- AA** = 3.8 [1.00]
- AB** = 5.7 [1.50]
- AC** = 7.6 [2.00]
- AD** = 9.5 [2.50]
- AE** = 11.4 [3.00]
- AF** = 13.3 [3.50]
- AG** = 15.1 [4.00]
- AH** = 17.0 [4.50]
- AJ** = 18.9 [5.00]
- AK** = 20.8 [5.50]
- AL** = 22.7 [6.00]

Position 20, 21 – Priority Relief Valve Full Flow Setting (bar [PSI])

- 00** = No Relief Valve Setting
- AA** = 34.5 [500]
- AB** = 51.7 [750]
- AC** = 68.9 [1000]
- AD** = 86.2 [1250]
- AE** = 103.4 [1500]
- AF** = 120.6 [1750]
- AG** = 137.9 [2000]
- AH** = 155.1 [2250]
- AJ** = 172.4 [2500]

Position 22 – Auxiliary Rear Mount

- 0** = None
- B** = 2 Bolt A SAE Flange Series 82-2 Output Shaft Accepts 9 Tooth Spline 16/32 Pitch, Shaft Extension 31.8 [1.25]
- C** = 2 Bolt A SAE Flange Series 82-2, With 11 Tooth 16/32 Pitch External Spline Output Shaft, 17.5 [.69] Minimum Full Spline, Requires Spacer and Coupler to Accept 31.8 [1.25] Mating Shaft Extension



Eaton Corporation is a global manufacturer of highly engineered products that serve industrial, vehicle, construction, commercial and semiconductor markets. Principal products include electrical power distribution and control equipment, truck drivetrain systems, engine components, hydraulic products, ion implanters and a wide variety of controls. Headquartered in Cleveland, the company has 49,000 employees and 143 manufacturing sites in 26 countries around the world. Sales for 1997 were \$7.6 billion.

Information contained in this catalog is accurate as of the publication date and is subject to change without notice. Performance values are typical values. Customers are responsible for selecting products for their applications using normal engineering methods.

Eaton Corporation
Hydraulics Division
15151 Highway 5
Eden Prairie, MN 55344
Telephone: 612/937-7254
Fax: 612/937-7130

Eaton Ltd.
Hydraulics Division
Glenrothes, Fife
Scotland, KY7 4NW
Telephone +44 (0) 1592-771-771
Fax: +44 (0) 1592-773-184

Eaton GmbH
Hydraulics Division
Am Schimmersfeld 7
40880 Ratingen, Germany
Telephone: +49 (0) 2102-406-830
Fax: +49 (0) 2102-406-800



Quality System Certified
Products in this catalog are
manufactured in an
ISO-9001-certified site.

www.eatonhydraulics.com

Copyright Eaton Corporation, 1998
All rights reserved.
Printed in U.S.A

Form No. 11-605
Revised February 1998