

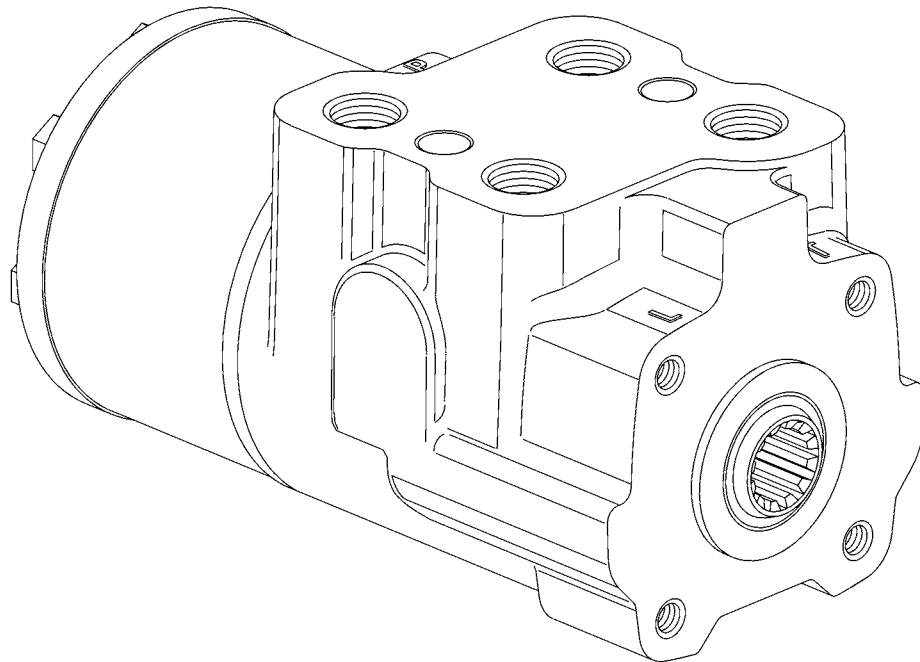
EATON

Char-Lynn

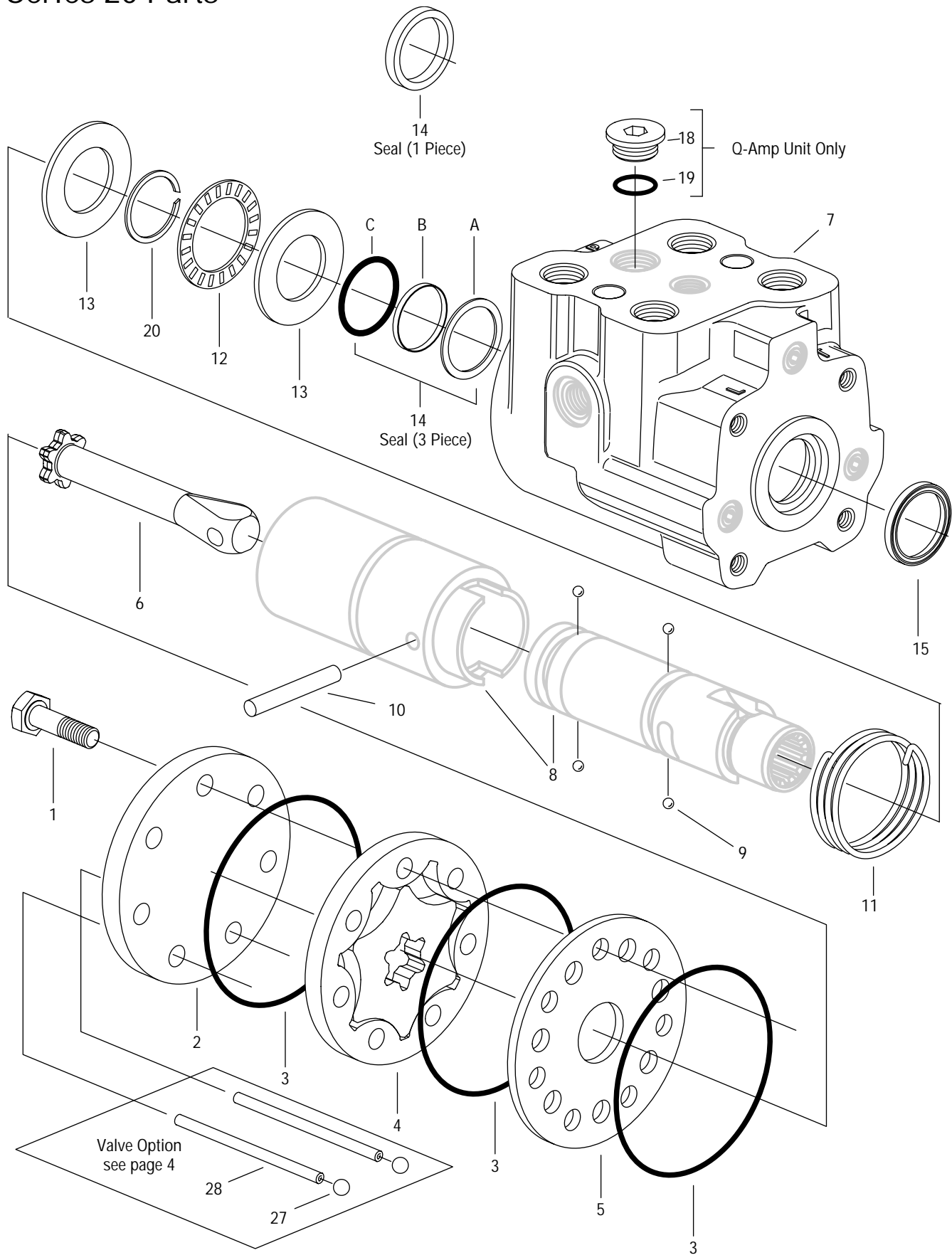
Power Steering

Series 20
Steering Control Unit

001



Series 20 Parts



Series 20 Parts List

Ref. No.	Part Number	Description	Quantity
1	*	Cap Screw	7
2	23902-000	Cap, End	1
X 3	201139-000	Seal, O-ring	3
4	*	Gerotor	1
5	23903-000	Plate, Spacer	1
6	*	Drive	1
7	NSS	Housing	1
8	NSS	Sleeve	1
	NSS	Spool	1
9	285020-050	Ball, Check	0, 4, or 6
10	14606-000	Pin	1
11	230391-000	Spring, Centering (low torque — 2,49 mm [.098 inch] dia. wire)	1
	230415-000	Spring, Centering (standard torque — 2,77 mm [.109 inch] dia. wire)	1
12	7537-000	Bearing, Needle Thrust	1
13	14607-000	Race, Bearing	2
14	9233-001	Seal — One Piece	1
X 14a	14400-000	Backup Washer	1
X b	9092-033	Seal Ring 25,2 mm [.99 in.] ID	Three Piece Standard
X c	250001-121	O-ring 26,6 mm [1.05 in.] ID	
X 15	844-000	Seal, Dust	1
18	9214-001	Plug	1
19	250003-908	O-ring	1
20	265018-024	Ring Retaining	1
27	18015-000	Ball, Check (see page 4)	2
28	16026-436	Roll Pin (see page 4)	2
X	64533-000	Seal Kit—Contains Parts Indicated by X	

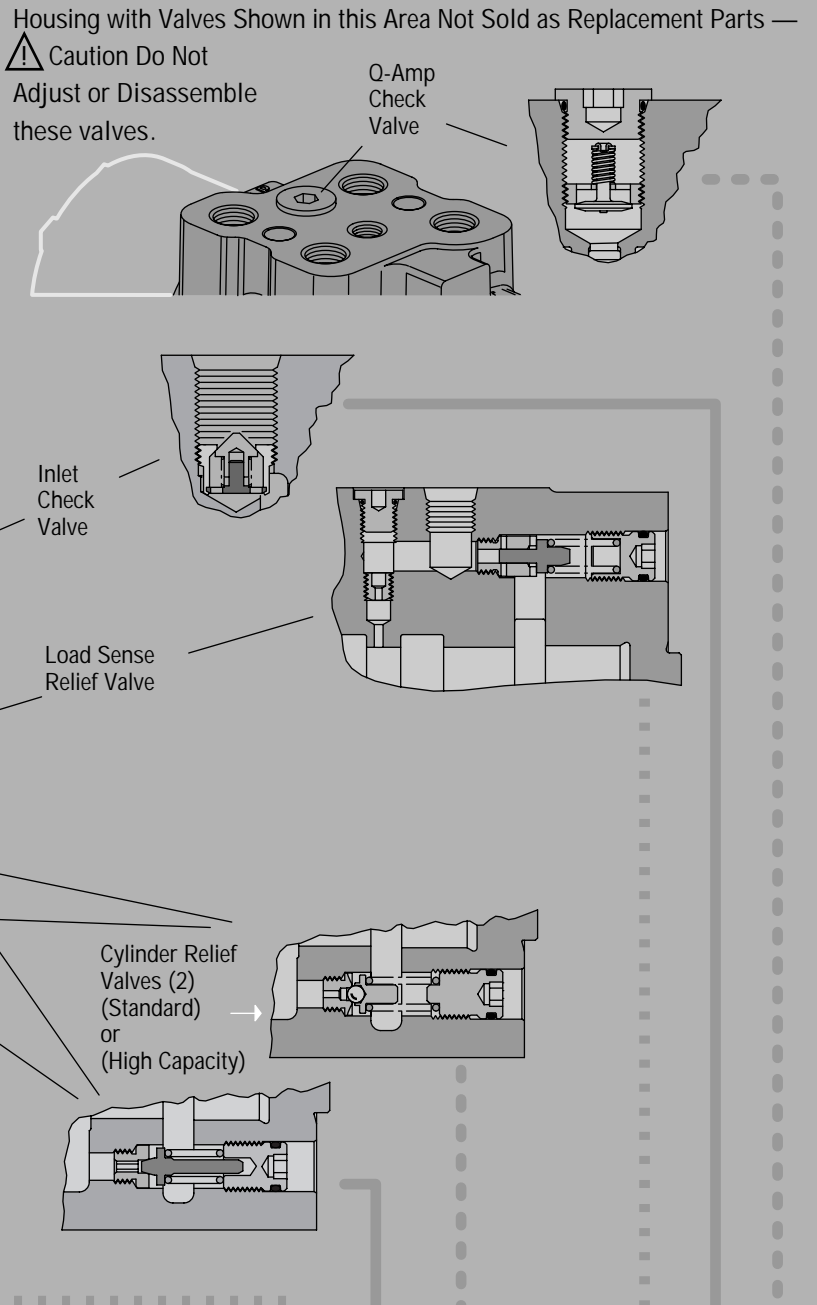
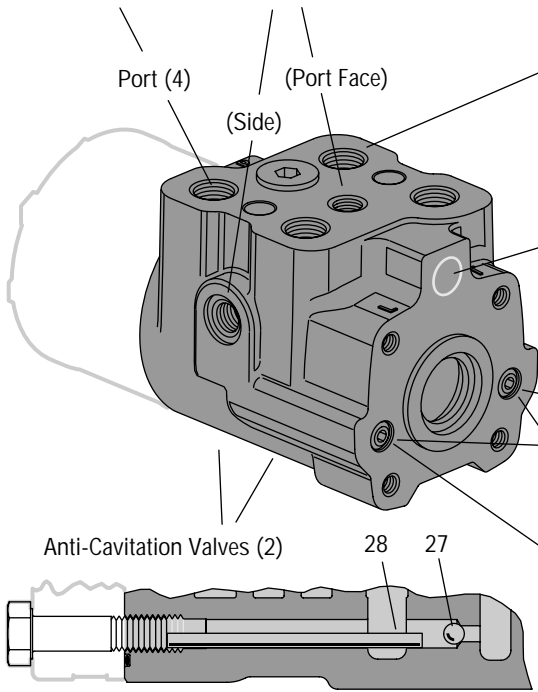
* See Chart Below NSS — Not Sold Separately

Displ. cm ³ /r [in ³ /r]	Ref. No. 6 Drive	Length mm [inch]	Ref. No. 4 Gerotor	Width mm [inch]	Ref. No. 1 Screw, Cap	Length A mm [inch]	Grade 10,9 (Approximate Equivalent to SAE Grade 8)
60 [3.6]	23904-000	99,4 [3.91]	201123-002	6,1 [.24]	14643-001	30,0 [1.18]	<p>3,8 [.15] Sealant Acceptable in this Area</p> <p>5,3 [.209]</p> <p>A</p> <p>22,0 [.87]**</p> <p>Sealant Loctite Dri-Seal 513</p> <p>M8 x 1,25-6G Hex Cap Screw — 13 mm Across Flats</p> <p>**14643-010 17,0 [.67] Min.</p>
75 [4.5]	23904-000	99,4 [3.91]	201123-003	7,9 [.31]	14643-002	35,0 [1.38]	
95 [5.9]	201864-000	105,9 [4.17]	201123-004	10,2 [.40]	14643-002	35,0 [1.38]	
120 [7.3]	201864-000	105,9 [4.17]	201123-005	12,7 [.50]	14643-003	40,0 [1.57]	
145 [8.9]	201864-000	105,9 [4.17]	201123-006	15,5 [.61]	14643-003	40,0 [1.57]	
160 [9.7]	201864-000	105,9 [4.17]	201123-007	16,8 [.66]	14643-004	45,0 [1.77]	
185 [11.3]	201864-000	105,9 [4.17]	201123-008	19,6 [.77]	14643-004	45,0 [1.77]	
230 [14.1]	201864-000	105,9 [4.17]	201123-009	24,4 [.96]	14643-005	50,0 [1.97]	
295 [17.9]	201864-000	105,9 [4.17]	201123-010	31,0 [1.22]	14643-006	55,0 [2.17]	
370 [22.6]	201864-000	105,9 [4.17]	201123-011	39,1 [1.54]	14643-007	65,0 [2.56]	
460 [28.2]	201864-000	105,9 [4.17]	201123-012	48,8 [1.92]	14643-008	75,0 [2.95]	
590 [35.9]	201864-000	105,9 [4.17]	201123-013	62,2 [2.45]	14643-009	90,0 [3.54]	
740 [45.1]	201864-000	105,9 [4.17]	201123-014	78,2 [3.08]	14643-010	105,0 [4.13]	
985 [60.0]	201864-000	105,9 [4.17]	201123-015	103,9 [4.09]	14643-011	130,0 [5.12]	

All housing valves are factory adjusted on assembled units to a code designation and are not to be changed. This housing (with specified valve pressure settings), the mating spool, and the sleeve are not practical replacement parts.

Port Combinations

Pressure Tank	Load Sensing
Left	Port (1) —
Right	Load Sensing
	Units Only
3/4 -16	7/16 - 20
G1/2 (BSP)	G1/4 (BSP)
M - 18	M - 12



Steering Control Unit Housing Series

Steering Control Unit Housing Series	Port Size			Load Sensing		Check Valves* Ref. No. 9				
	3/4-16	G 1/2	M-18	Side	Port Face					
-101	.					.				.
-102
-103
-104
-105
-106
-107
-306		

*Manual Steering Check Valves

Series 20 Parts

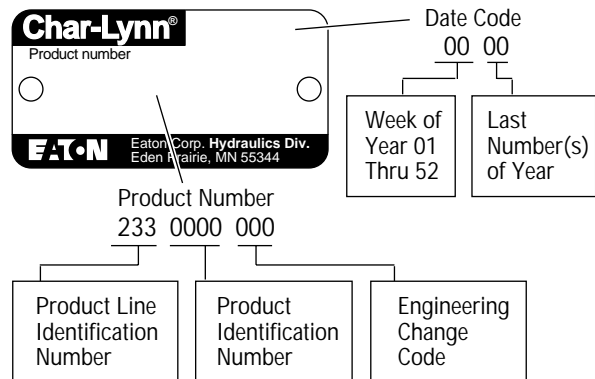
How to Order Replacement Parts

Each Order Must Include the Following:

- | | |
|-------------------|----------------------|
| 1. Product Number | 4. Part Number |
| 2. Date Code | 5. Quantity of Parts |
| 3. Part Name | |

For More Detailed Information Contact Eaton Corp. Hydraulics Division 15151 Highway 5 Eden Prairie, MN 55344.

- Specifications and performance data, Catalog No. 11-872
- When servicing Series 20 steering control units refer to Repair Information No. 7-313. This repair manual lists tools required, and step by step disassembly and reassembly procedures.



Series 20 Parts

Notes: _____

Series 20 Parts List

Notes: _____

Eaton
14615 Lone Oak Road
Eden Prairie, MN 55344
USA
Tel: 952 937-9800
Fax: 952 974-7722
www.hydraulics.eaton.com

Eaton
20 Rosamond Road
Footscray
Victoria 3011
Australia
Tel: (61) 3 9319 8222
Fax: (61) 3 9318 5714

Eaton
46 New Lane, Havant
Hampshire PO9 2NB
England
Tel: (44) 23 92 486 451
Fax: (44) 23 92 487 110



Char-Lynn