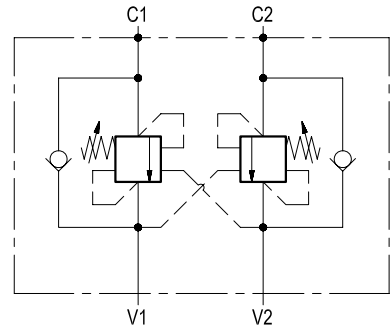
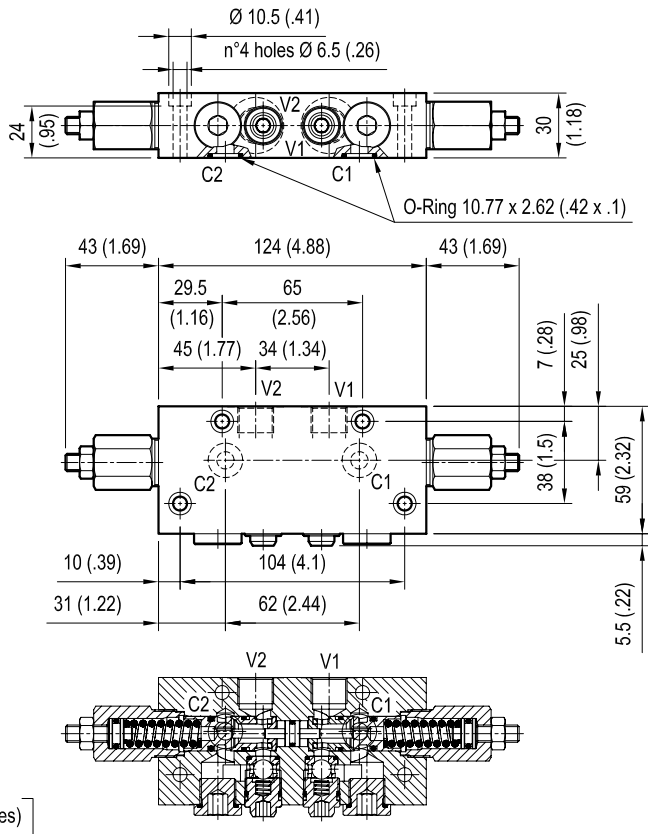


VBSO-DE-NN-FC2

05.42.48 - X - Y - Z



TECHNICAL DATA

Operating pressure: up to 210 bar (3000 psi)

Max flow: 40 l/min (11 gpm)

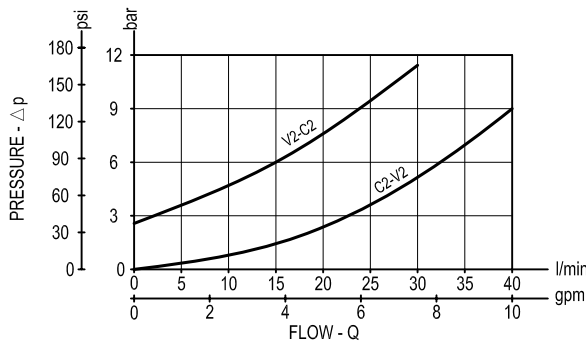
Aluminium body

NOTE: aluminium bodies are often strong enough for operating pressures exceeding 210 bar (3000 psi), depending from the fatigue life expected in the specific application. If in doubt, consult our Service Network.

Weight: 0.75 kg (1.7 lbs)

Relief setting: at least 1.3 times the highest expected load.

It provides static and dynamic control of load by regulating the flow IN and OUT of the actuator, through ports C1 and C2. This valve module includes 2 sections, each one composed by a check and a relief valve pilot assisted by pressure in the opposite line: the check section allows free flow into the actuator, then holds the load against reverse movement; with pilot pressure applied at the line across, the pressure setting of the relief is reduced in proportion to the stated ratio until opening and allowing controlled reverse flow. Back-pressure at V1 or V2 is additive to the pressure setting in all functions.



X	PILOT RATIO	
03	6.6 : 1	
10	2.9 : 1	

Z	SPRINGS				
	Adj. press. range bar (psi)	Pres. increase bar/turn (psi/turn)	Std. setting bar (psi) Q=5 l/min	Ordering code	Colour
20	60-210 (900-3000)	54 (783)	200 (2900)	03.51.01.102	green
35	120-350 (1750-5000)	118 (1711)	350 (5000)	03.51.01.116	yellow

Y	PORT SIZE	
	V1-V2	C1-C2
02	G 3/8	Ø 8 (0.32)