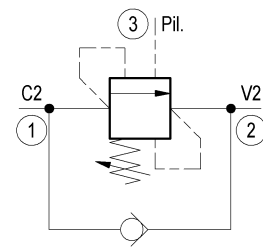
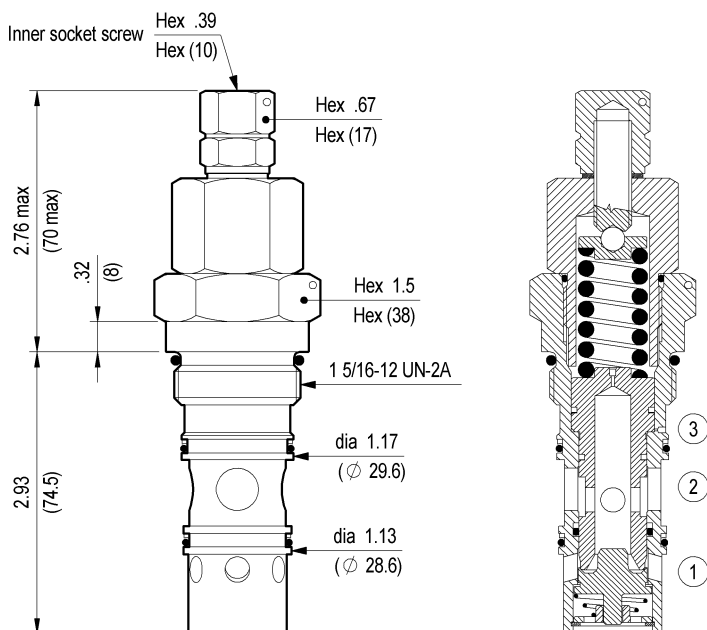




**COUNTERBALANCE, STANDARD POPPET TYPE
DIFFERENTIAL AREA
SPECIAL CAVITY**

VBSO-SEC-150

04.52.02 - X - 99 - Z

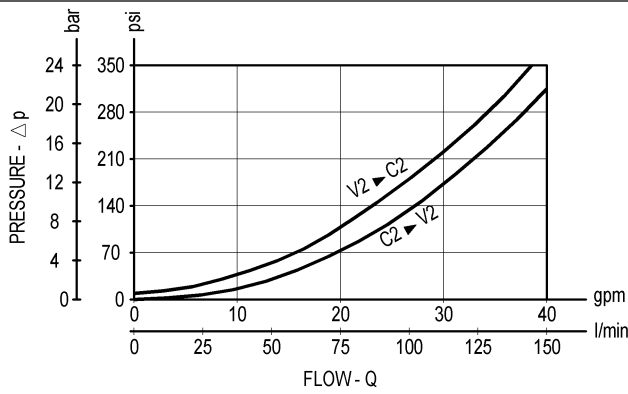


TECHNICAL DATA

Max. pressure:	5000 psi	(350 bar)
Max. flow:	40 gpm	(150 l/min)
Special cavity :	059 (see page CT.S.002.U)	
Installation torque :	105-114 ft-lb	(142-154 Nm)
Weight:	1.323 lbs	(0.600 Kg)

Pressure setting: at least 1.3 times the load induced pressure

When pressure at 2 rises above the spring bias pressure, the check seat is pushed away from the piston and flow is allowed from 2 to 1. When load pressure at 1 rises above the pressure setting, the direct-acting, differential area relief function is activated and flow is relieved from 1 to 2. With pilot pressure at 3, the pressure setting is reduced in proportion to the stated ratio of the valve, until fully open with free-flow from 1 to 2. The spring chamber is drained to 2, and any back-pressure at 2 is additive to the pressure setting in all functions.



X PILOT RATIO

03 4.6 : 1

Z	SPRINGS		
	Adj. press. range psi (bar)	Press. increase psi / turn (bar/turn)	Standard setting psi (bar) (Q=5 l/min)
20	870-3000 (60-210)	812 (56)	2900 (200)
35	1450-5000 (100-350)	1508 (104)	5000 (350)

OPTIONS

Ordering code	Description
03.05.01.005	Sealing cap

Special settings available. Contact factory authorized representative for ordering code.