

## IMPORTANT FYI

- For intended use only - can only be used to power a single channel condenser microphone. Do not attempt to operate more than one microphone at a time with this device, damage may occur.
- For use with balance level microphones and audio devices. When connecting OUTPUT to an unbalanced device, an adapter plug may be required.
- To avoid sound spikes, always turn the sound levels all the way down before powering up this device.
- Never plug a microphone into this device when the power is on.
- Turn the power off when not in use.

## SPECIFICATIONS

Input Voltage (Power Supply): 110VAC	Supports Device: Condenser Microphone
Output Voltage: (Power Supply): 18VAC	Enclosure Material: Aluminum
Output Voltage (XLR INPUT): 48VAC	Enclosure Dimensions: 3.5" x 3.5" x 1.75"
Power Consumption: 5 watts or less	Weight: 1.2 lbs

## WARRANTY

AMERICAN RECORDER TECHNOLOGIES, INC. (ART) includes with this product a limited one year guarantee, free from defects in manufacture and workmanship to the original owner. Warranty does not apply to misuse, abuse, neglect, accident, improper use, etc. ART reserves the right to make such determination on the basis of factory inspection. A valid return authorization number must be obtained from ART customer service department for all factory warranty service. All warranty repairs must be returned prepaid. (COD's will be refused).

visit us on the web at:

[www.AmericanRecorder.com](http://www.AmericanRecorder.com)



manufactured and distributed by  
American Recorder Technologies, Inc  
1872 Angus Ave., Simi Valley, CA 93063 - USA  
P. 805-527-9580 • E. sales@AmericanRecorder.com

Made in China

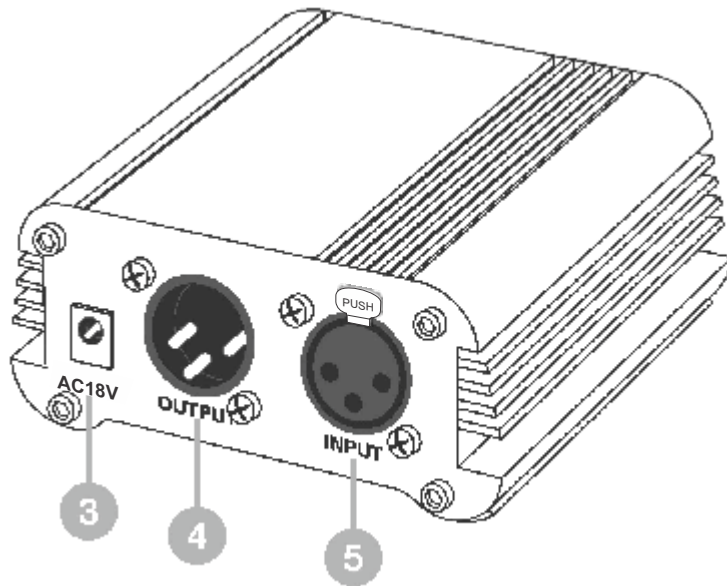
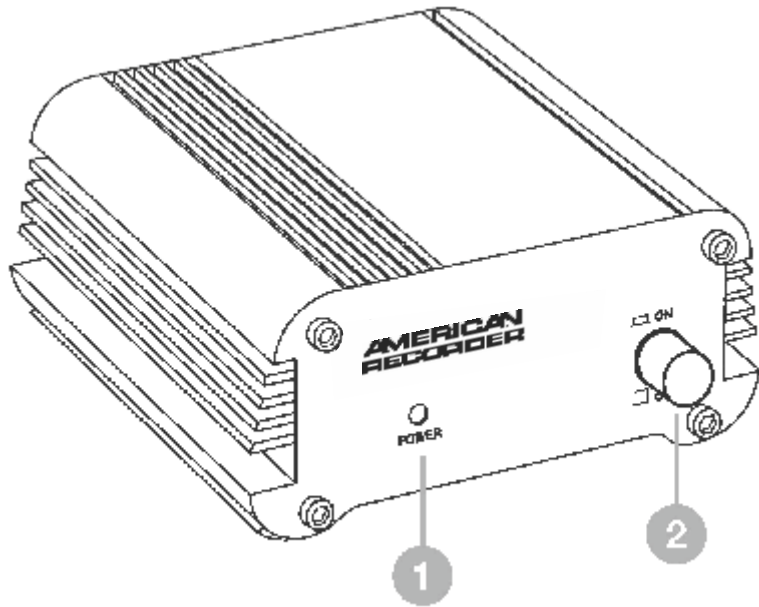
# AMERICAN RECORDER

# 48V PHANTOM POWER SUPPLY



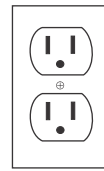
**MODEL: PHPO-1001**

# FUNCTIONS & CONNECTIONS

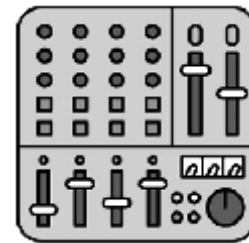
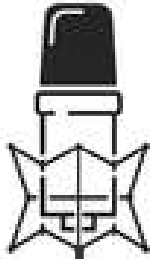
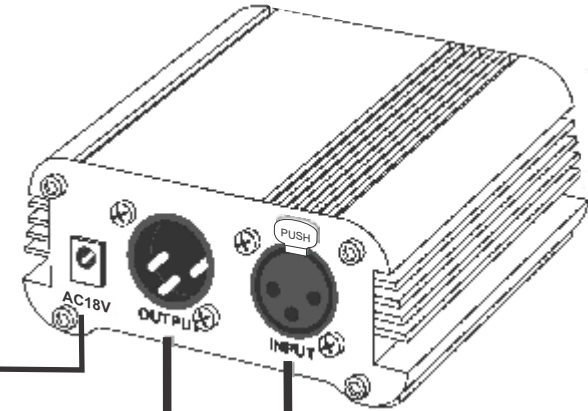


1. LED Power Indicator
2. Power Button
3. Power Input
4. Balanced XLR Audio Output
5. Balanced XLR Audio Input

# SET UP



Plug power supply into 110VAC outlet only. Risk of electrical shock. Do not use near water or if you are wet. Do not use if power cord is worn or damaged.



**AUDIO MIXER**



**LAPTOP/  
COMPUTER**



**POWERED SPEAKERS**

**NOTE:** Audio adapter plugs may be required for some applications