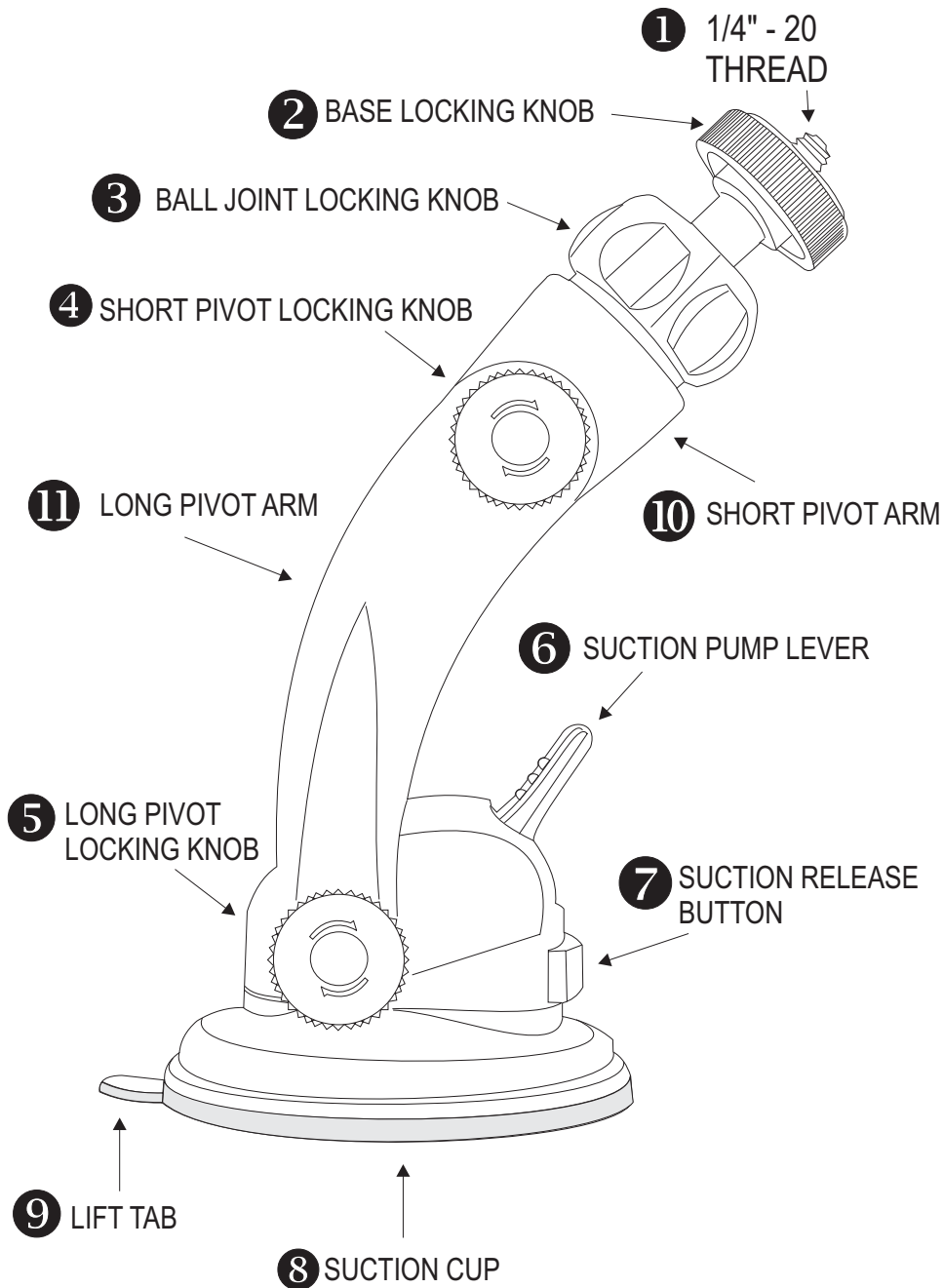


PHO-SC-0001 LAYOUT



PHO-SC-0001 INSTRUCTIONS

1. Attach SMART BRACKET PHO-SF-1001 or other device (such as a compact camera) using the 1/4" - 20 THREAD MOUNT (1). Turn device a minimum 3-4 rotations onto threads to securely fasten.

2. Secure device to threads by tightening the BASE LOCKING KNOB (2)

3. Locate position for placement of SUCTION CUP MOUNT. Clean the surface so the suction cup will make proper contact with surface.

NOTE: If you are placing the mount on the front windshield of a moving vehicle, use caution to ensure the mount and device do not block your vision or cause any risk to safety. Do not attempt to adjust the bracket or device while operating a moving vehicle. Follow and obey all traffic laws when using this device in a moving vehicle.

4. Place SUCTION CUP (8) on to surface and push down of the SUCTION PUMP LEVER (6). The lever will click once or twice when pumped.

5. To remove Suction Cup, press the SUCTION RELEASE BUTTON (7). Use the LIFT TAB (9) to assist in lifting the suction cup away from the surface.

6. Once the mount has been properly attached to the surface, loosen both the SHORT PIVOT LOCKING KNOB(4) and the LONG PIVOT LOCKING KNOB(5) until the LONG PIVOT ARM(11) and SHORT PIVOT ARM(10) move freely. Position your device and once satisfied with its placement, tighten both SHORT and LONG LOCKING KNOBS.

7. Loosen the BALL JOINT LOCKING KNOB(3) and further adjust your device. When adjustment are complete, tighten the BALL JOINT LOCKING KNOB.

Recommended maximum device weight should not exceed 15 ounces.